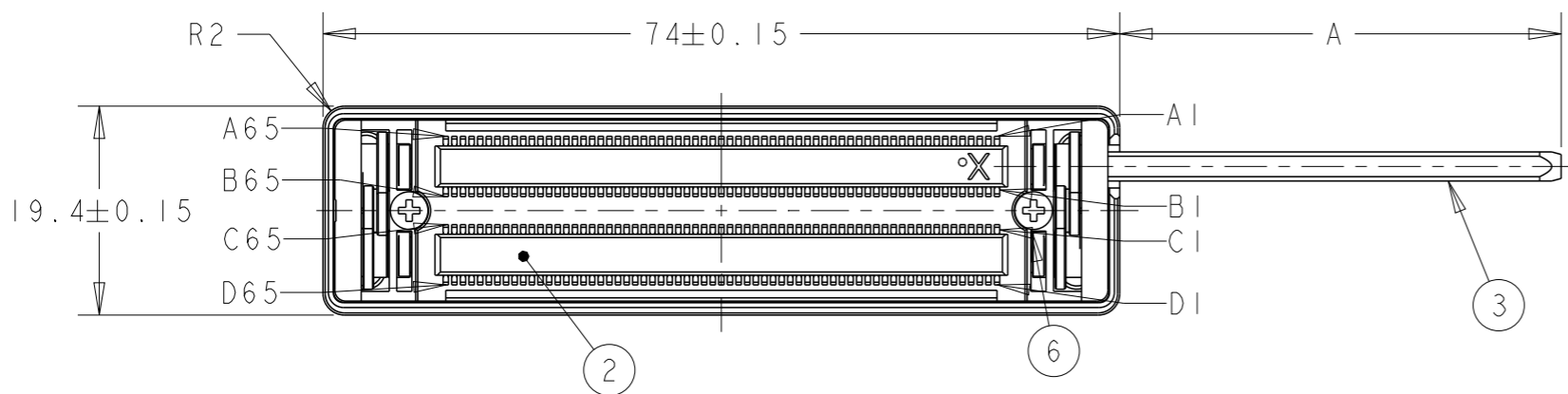


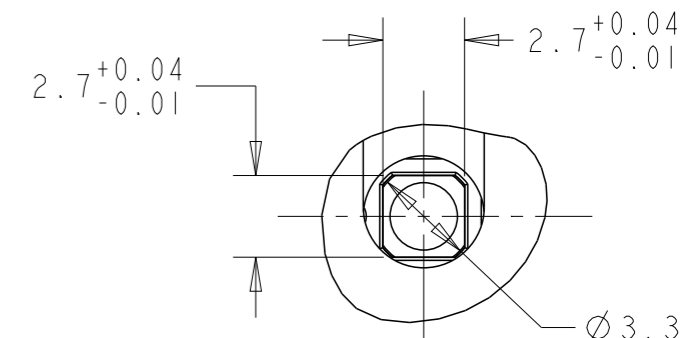
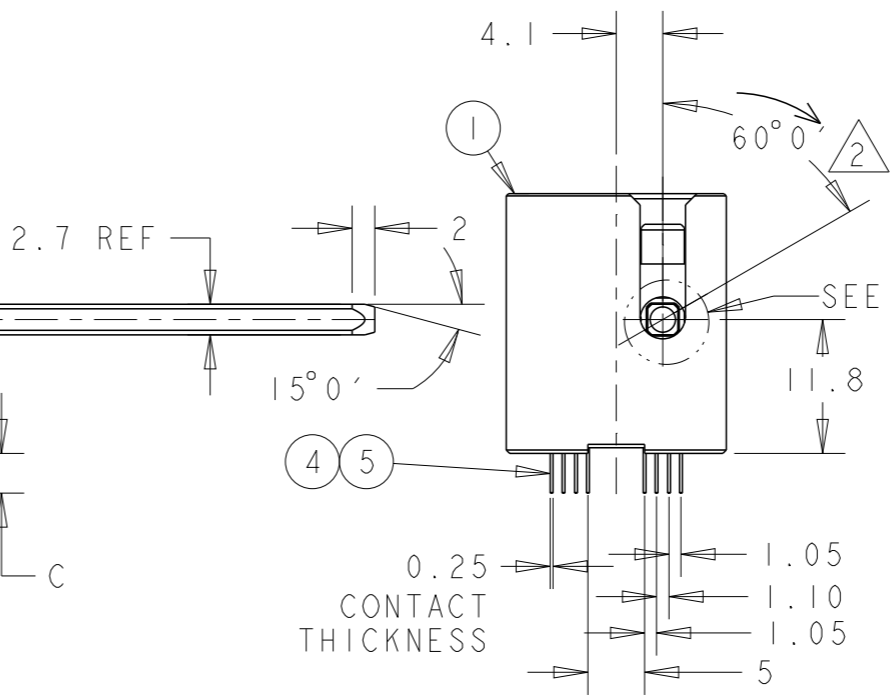
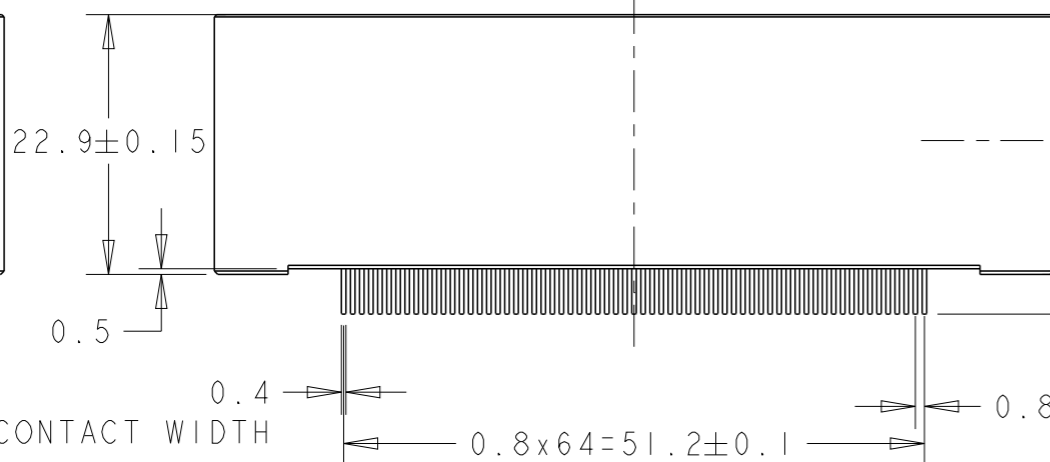
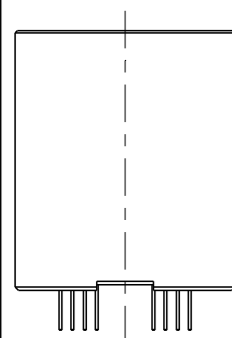
LOC	J
DIST	-

P	LTR	DESCRIPTION	DATE	DWN	APVD
---	-----	-------------	------	-----	------

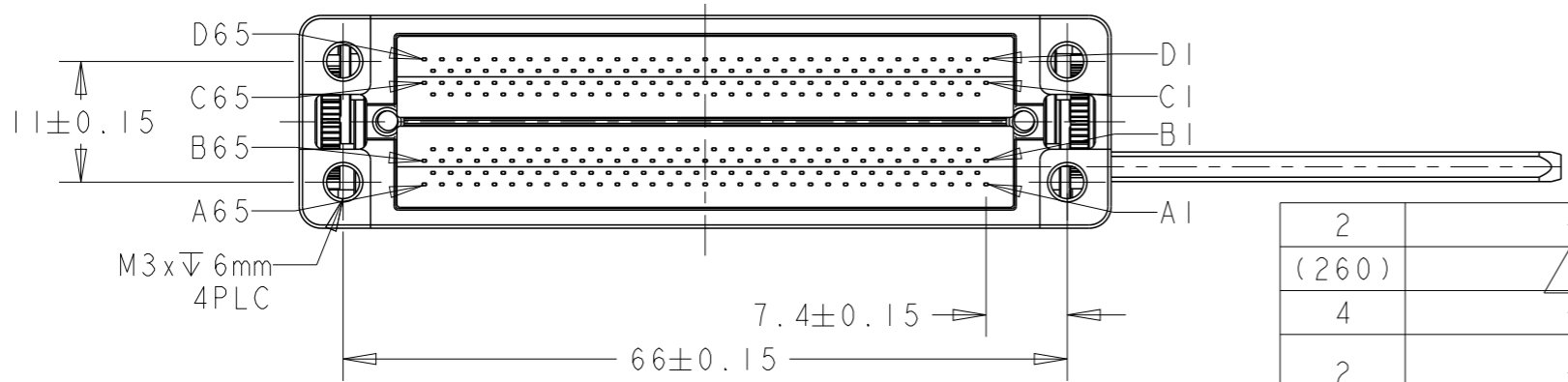
P	LTR	DESCRIPTION	DATE	DWN	APVD
E		REVISED	11DEC2012	T.K	M.K
F		REVISED	10JUN2013	T.K	M.K
G		REVISED	18MAR2015	T.K	M.K



ROHS COMPLIANT



DETAIL A SCALE 4:1



QTY	FINISH	MATERIAL	NAME	ITEM NO	
2	-	STAINLESS STEEL	SCOTCH-GRIP 2510	M2 SCREW	6
(260)	-	COPPER ALLOY	CONTACT	CONTACT	5
4	-	LCP	INSERT MOLD, CONTACT	INSERT MOLD, CONTACT	4
2	-	SUS 304 AND PLASTIC (COLOR BLACK)	ACTUATOR ASSY	ACTUATOR ASSY	3
1	-	LCP	COVER HOUSING, REC	COVER HOUSING, REC	2
1	Ni PLT. 2.5~5µm	ZINC DIECAST	BASE HOUSING, REC	BASE HOUSING, REC	1

DIMENSION "C"	DIMENSION "A"	PART NUMBER
2.8±0.2	41	6565204-9
3.1±0.25	41	6565204-8
3.5±0.4	20	6565204-6
2.5±0.25	20	6565204-5
2.5±0.25	26.82±0.2	6565204-4
2.5±0.25	41	6565204-3
3.5±0.4	41	6565204-1

THIS DRAWING IS A CONTROLLED DOCUMENT.

DIMENSIONS: mm	TOLERANCES UNLESS OTHERWISE SPECIFIED:
	0 PLC ±0.3
	1 PLC ±0.25
	2 PLC ±0.2
	3 PLC ±
	4 PLC ±
	ANGLES ±3
MATERIAL SEE TABLE	FINISH SEE TABLE

DWN	T.Kanno	5MAR2007
CHK	M.Kimura	5MAR2007
APVD	M.Kimura	5MAR2007
PRODUCT SPEC	108-5771	
APPLICATION SPEC	114-5505	
WEIGHT	85g	

STE TE Connectivity

NAME: REC ASSEMBLY TC-ZIF CONNECTOR 0.8mm PITCH 260P

SIZE	CAGE CODE	DRAWING NO	RESTRICTED TO
A3		6565204	-

CUSTOMER DRAWING SCALE 3:2 SHEET 1 OF 2 REV G

PRELIMINARY

LOC
J

DIST
-

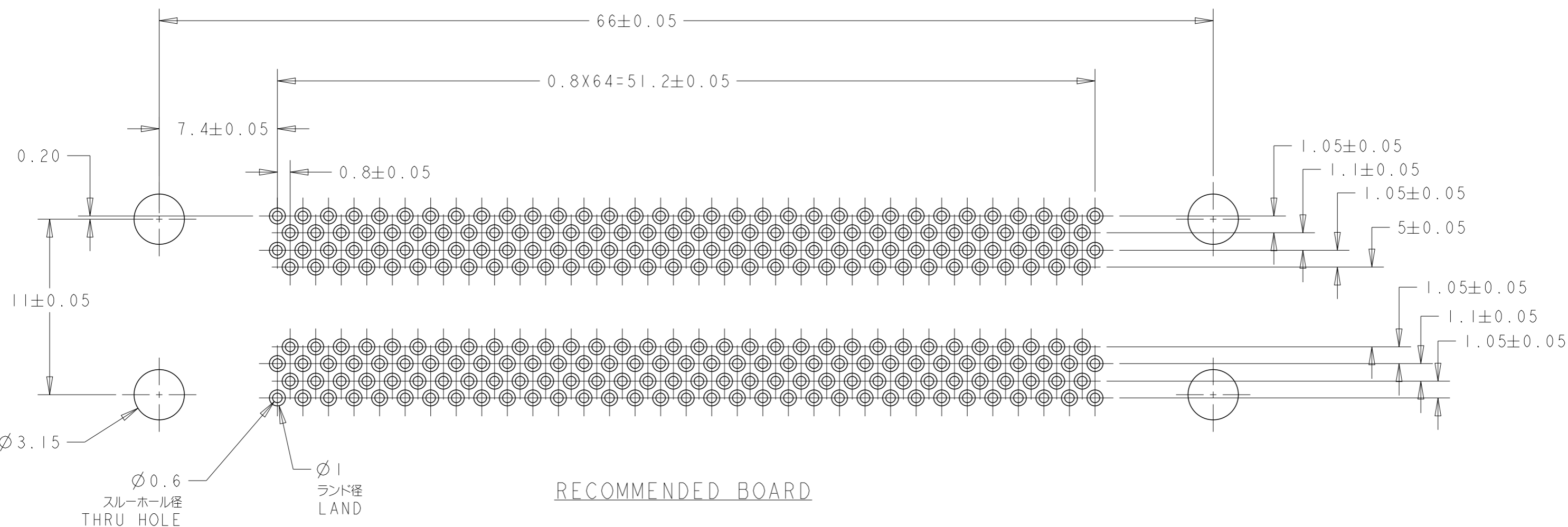
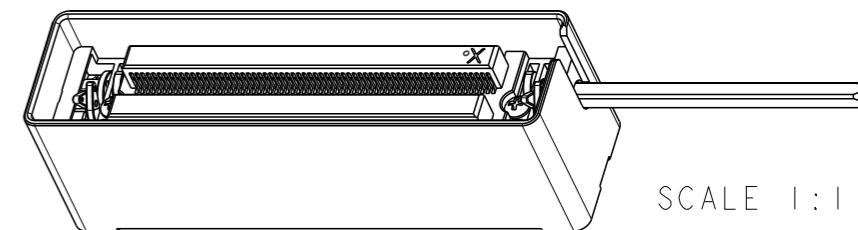
REVISIONS

P	LTR	DESCRIPTION	DATE	DWN	APVD
-	-	SEE SHEET 1	-	-	-



① MATING AREA: 1μmMIN GOLD PLATING
OVER 2.5μmMIN NICKEL
SOLDERING AREA: GOLD FLASH
OVER 2.5μmMIN NICKEL
OTHERS: 2.5μmMIN NICKEL

② BY ROTATING 60±5 DEGREES OF SHAFT CLOCKWISE,
CONNECTOR IS MATED WITH HDR.
CONTACT ENGAGEMENT : 15±5DEG.

3. PIN ASSIGNMENTS AS A REFERENCE



RECOMMENDED BOARD

THIS DRAWING IS A CONTROLLED DOCUMENT.		DWN T.Kanno	5MAR2007	 TE Connectivity	
DIMENSIONS: mm		CHK M.Kimura	5MAR2007		
TOLERANCES UNLESS OTHERWISE SPECIFIED:		APVD M.Kimura	5MAR2007		
 0 PLC ±0.2 1 PLC ±0.15 2 PLC ±0.1 3 PLC ± 4 PLC ± ANGLES ±3		PRODUCT SPEC 108-5771	NAME REC ASSEMBLY TC-ZIF CONNECTOR 0.8mm PITCH 260P		
MATERIAL -	FINISH -	APPLICATION SPEC 114-5505	WEIGHT -	SIZE A3	CAGE CODE G-6565204
CUSTOMER DRAWING			SCALE 3:2	SHEET 2 OF 2	REV G