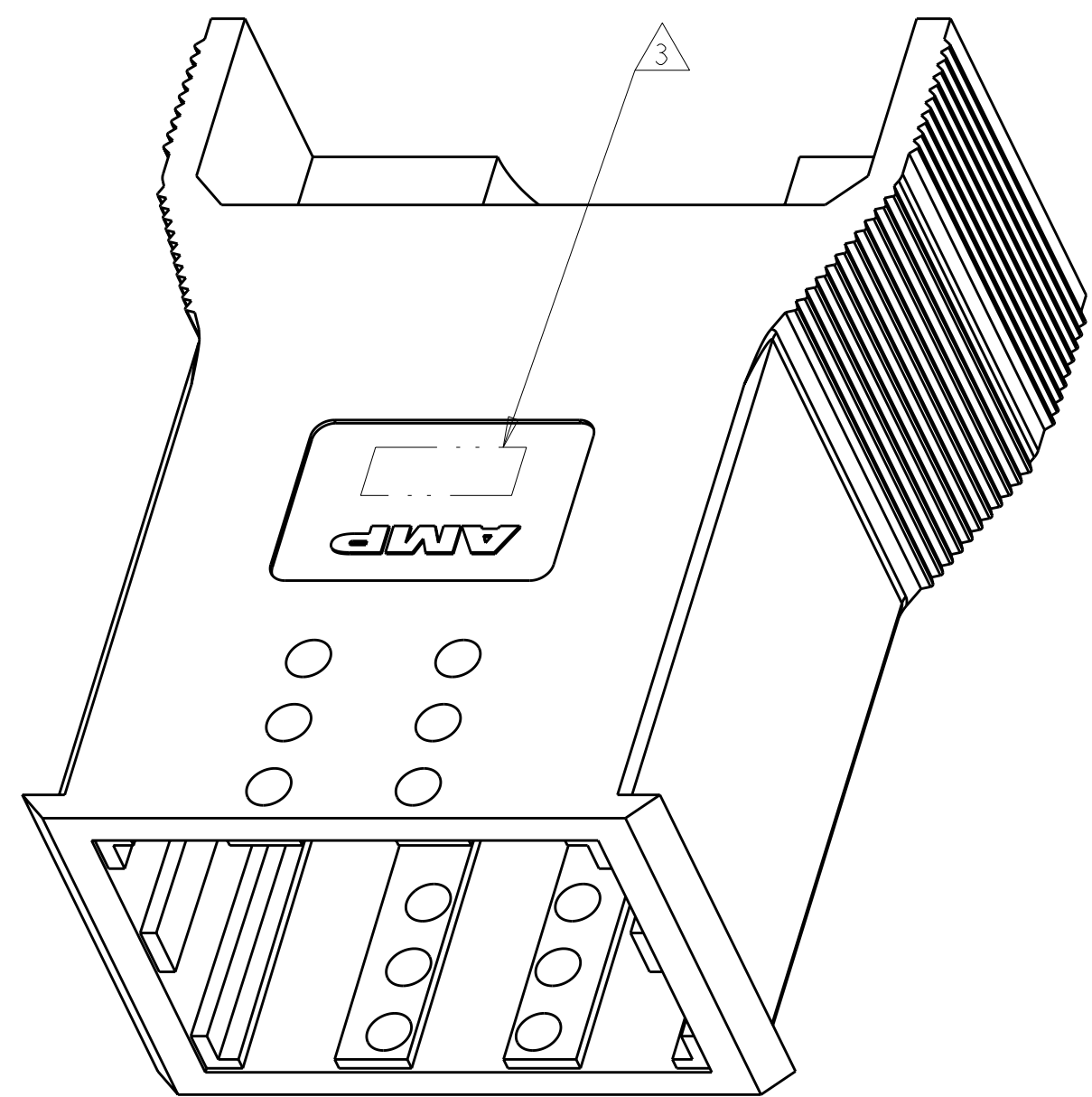
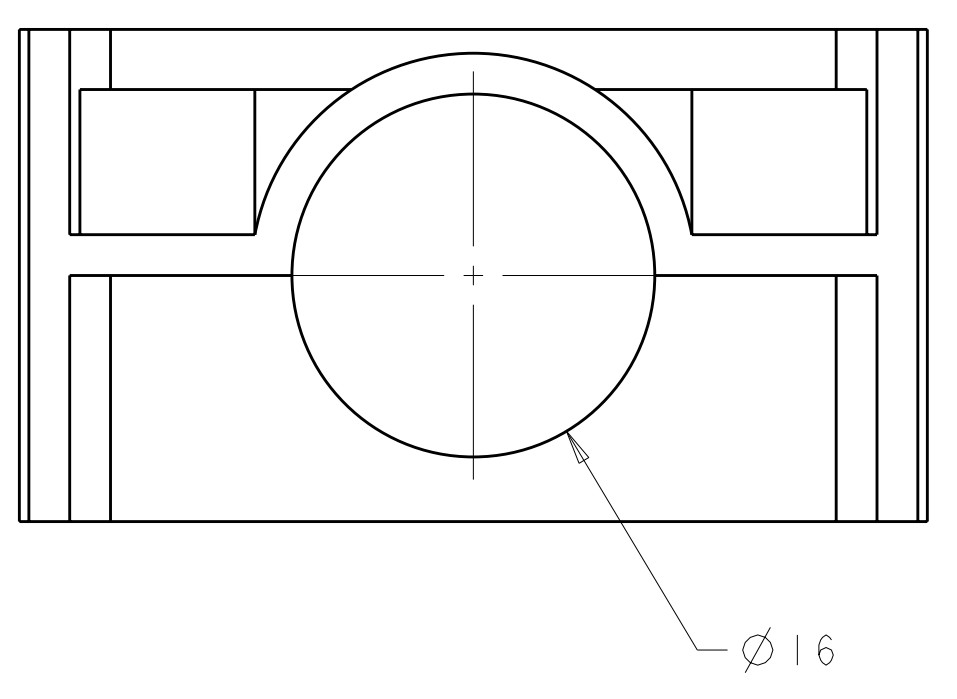
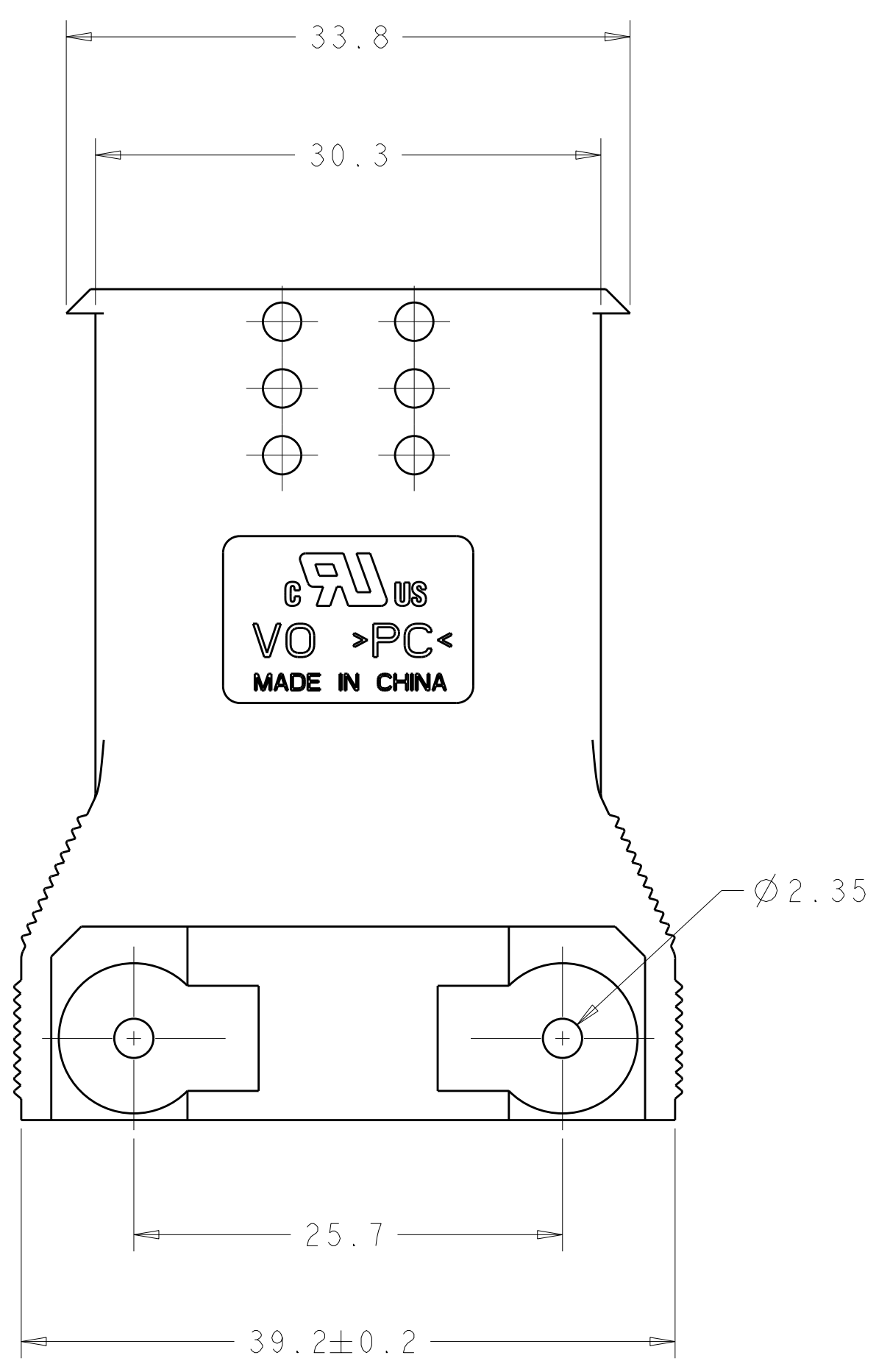
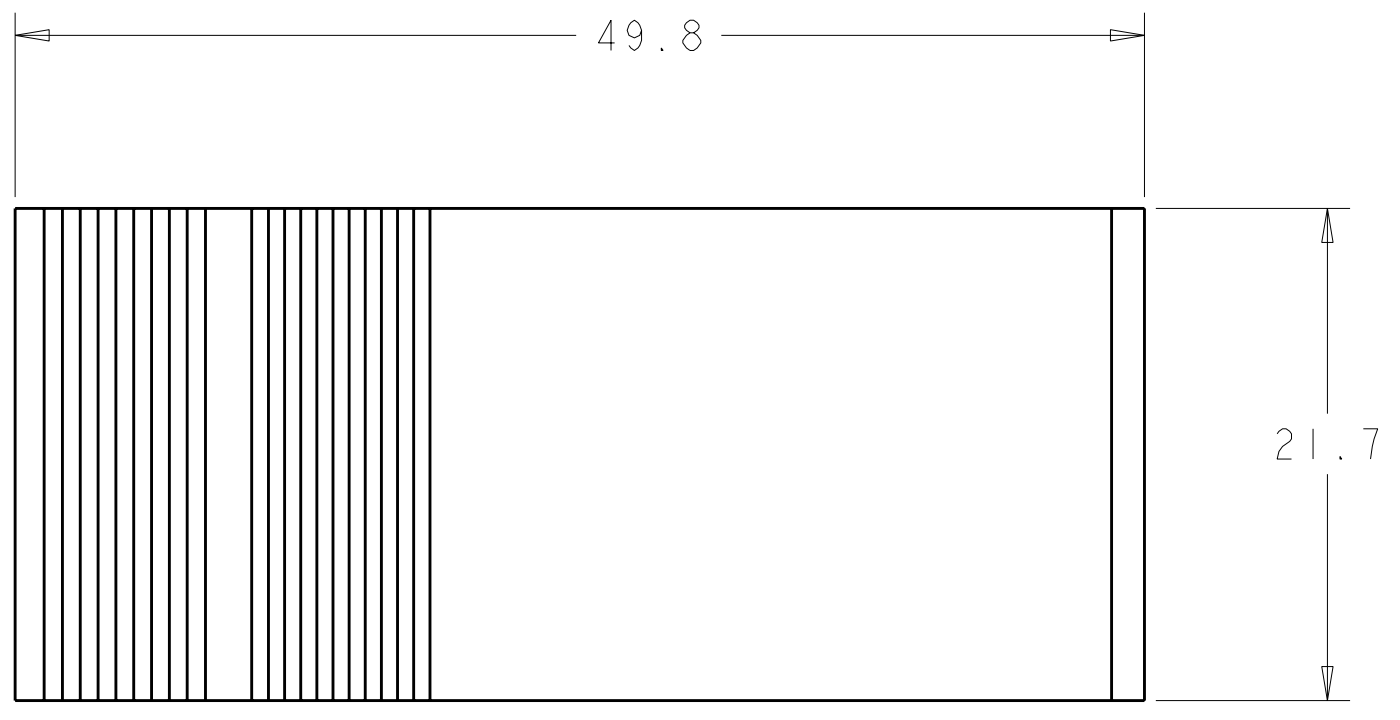


| LOC | DIST | REVISIONS | | | |
|-----|------|-----------|---------------------------|-----------|--------|
| FT | 0 | REV | DATE | DWN | APVD |
| | | B | REVISED PER ECO-11-005167 | 03JUN2011 | HMR DY |
| | | | | | |
| | | | | | |



- 1. MATERIAL: POLYCARBONATE 94-V0
- 2. COLOR: BLACK
- △ TE OR TE CONNECTIVITY LOGO LOCATED APPROX IN THIS AREA.



1604081-1
 PART NUMBER

| | | | | |
|--|--|------------------------------|--|--|
| THIS DRAWING IS A CONTROLLED DOCUMENT. | | DWN: B. HAYMAKER 09JAN2002 | NAME: HOUSING, 2X3 POWER SERIES PLUG WITHOUT LATCH | |
| DIMENSIONS: mm | | CHK: K. KETELSLEGER 14MAR02 | SIZE: A100779 | |
| TOLERANCES UNLESS OTHERWISE SPECIFIED: | | APVD: K. KETELSLEGER 14MAR02 | CAGE CODE: C=1604081 | |
| 9 PLC ±0.13 | | PRODUCT SPEC: - | DRAWING NO: 1604081 | |
| 1 PLC ±0.13 | | APPLICATION SPEC: - | RESTRICTED TO: - | |
| 2 PLC ±0.13 | | WEIGHT: - | SCALE: 3:1 | |
| 3 PLC ±0.13 | | CUSTOMER DRAWING | SHEET 1 OF 1 | |
| 4 PLC ± | | | REV B | |
| ANGLES ±30° | | | | |
| FINISH: - | | | | |