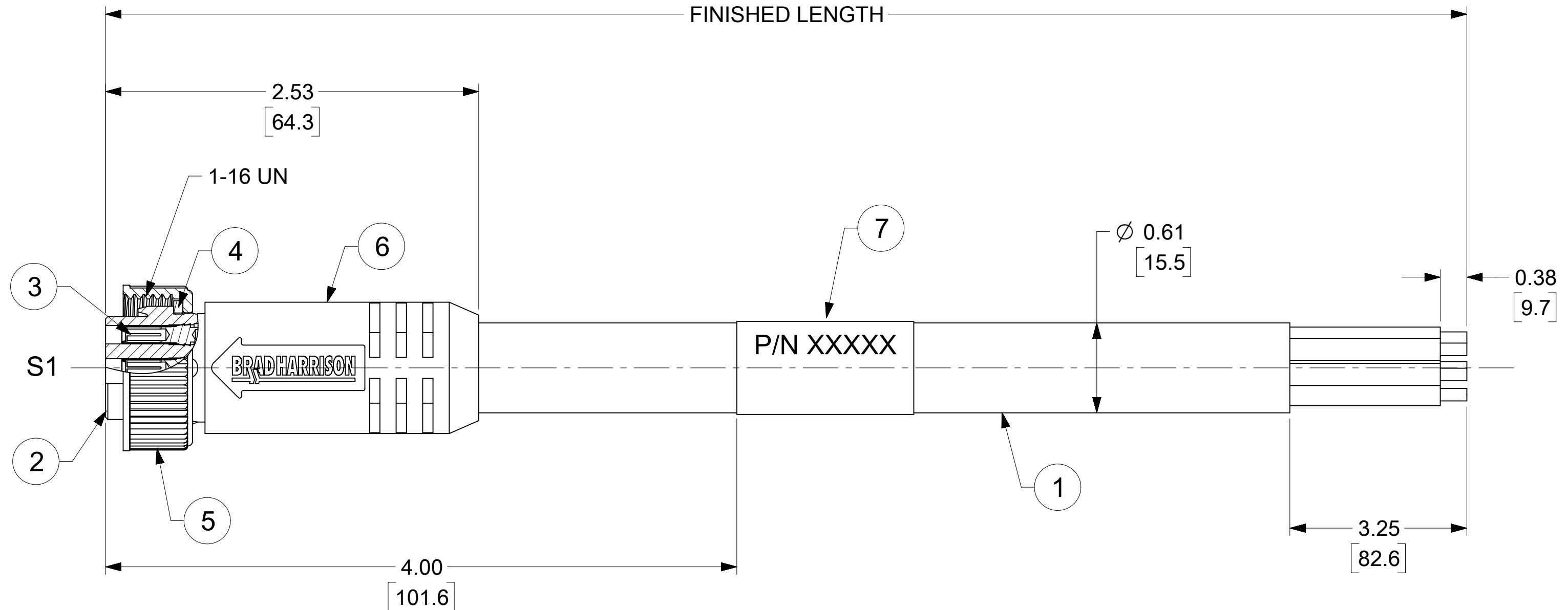
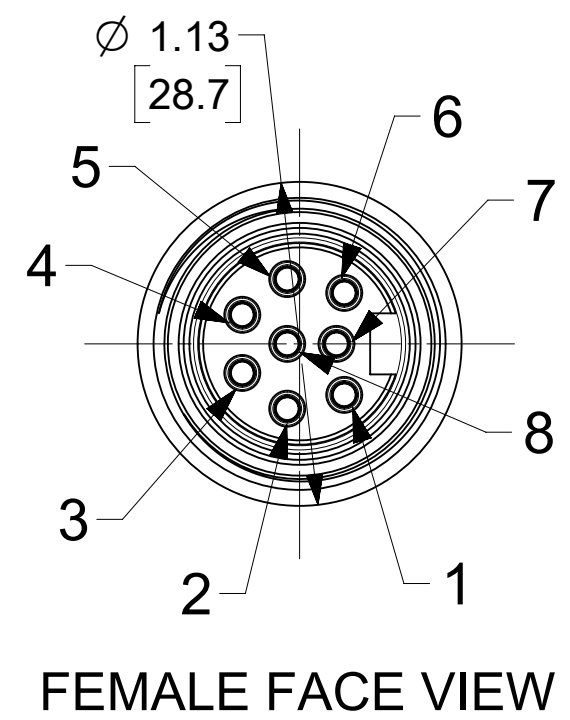
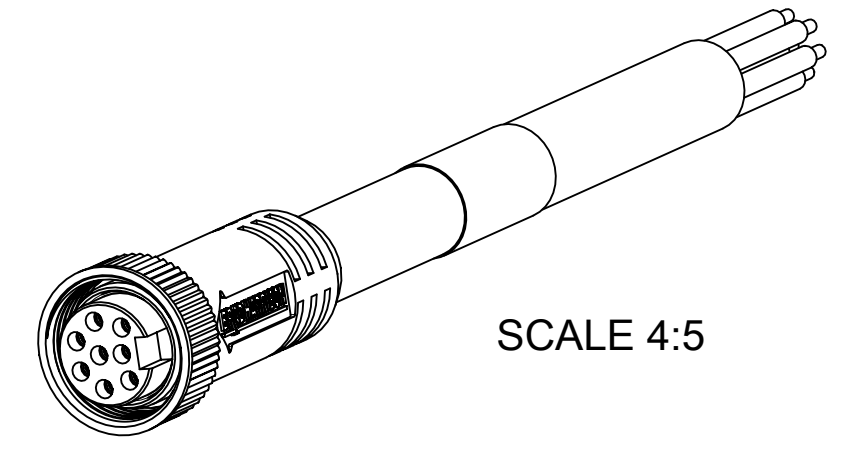


MATERIAL NO.	ENGINEERING NO.	FINISHED LENGTH
1300070139	208000A01F030	3 FT (0.91 M)
1300070142	208000A01F060	6 FT ( 1.82 M)
1300070145	208000A01F120	12 FT (3.65 M)
1300070149	208000A01F200	20 FT (6.09 M)

**CABLE LENGTH TOLERANCES**  
 <.3M [1FT]: +19mm-0 [ +.75in-0]  
 .3 - .9M [1 - 3FT]: +44.5mm-0 [+1.75in-0]  
 .9 - 1.8M [3 - 6FT]: +55.6mm-0 [+2.19in-0]  
 1.8 - 3.7M [6 - 12FT]: +88.9mm-0 [+3.50in-0]  
 3.7 - 7.3M [12 - 24FT]: +165.1mm-0 [+6.50in-0]  
 7.3-14.6M [24 - 48FT]: +317.5mm-0 [+12.50in-0]  
 14.6 - 30.5M [48-100FT]: +622.3mm-0 [+24.50in-0]  
 OVER 30M [100FT] +2% OF FINISHED LENGTH



- NOTES:**
- MATERIAL: AS NOTED
  - FINISH: AS NOTED
  - ELECTRICAL:  
 VOLTAGE: 320V PER IEC60664 (B)  
 600V PER UL2238  
 CURRENT: 7A
  - TEMP RATING: -20°C TO +105°C (B)
  - PROTECTION: IP67 (WHEN MATED)
  - CSA CERTIFIED FILE: LR6837 (B)
  - UL RECOGNIZED FILE: E152210 (B)
  - ALL DIMS ARE FOR REFERENCE UNLESS TOLERANCED OR NOTED OTHERWISE

**WIRING DIAGRAM**

S1	
1	ORANGE
2	BLUE
3	WHITE/BLACK
4	BLACK
5	WHITE
6	RED
7	GREEN/YELLOW
8	RED/BLACK

**PART NUMBER LEGEND (B)**

**208000A01F030**

FINISHED LENGTH  
 F001= .1 FT  
 F020= 2 FT  
 F200= 20 FT

7	WRAP LABEL	VINYL	BLACK/YELLOW
6	OVERMOLD	TPE	YELLOW
5	COUPLING NUT	ZINC DIE CAST	BLACK E-COAT
4	FRICTION RING	NYLON	NATURAL
3	SOCKET CONTACT	Cu ALLOY	GOLD OVER NICKEL
2	FEMALE INSERT	TPE	YELLOW
1	CABLE, 16-8, STOOV/ST	PVC JACKET	YELLOW
ITEM	DESCRIPTION	MATERIAL	FINISH

THIS DRAWING CONTAINS INFORMATION THAT IS PROPRIETARY TO MOLEX ELECTRONIC TECHNOLOGIES, LLC AND SHOULD NOT BE USED WITHOUT WRITTEN PERMISSION											
FUNCTIONAL SYMBOLS	FA = 0	DIMENSION UNITS	SCALE	CURRENT REV DESC: UPDATED ITEM 2, 6 & 7 WERE PVC, ADDED CSA, UL, IEC VOLT, TEMP, IP RATING, TOL. CHART & PART NO. LEGEND. MODIFIED PN CHART.							
	FC = 0	INCH/MM	1:1	EC NO: 718076							
DIVISIONAL SYMBOLS	FP = 0	GENERAL TOLERANCES (UNLESS SPECIFIED)		MM		INCH		DRWN: VHANDI 2021/06/06			
	4 PLACES ±	±	±	2022/08/18							
	3 PLACES ±	±	±	CHK'D: RSTONE							
	2 PLACES ±	±	±	APPR: BWOODMAN 2022/08/22							
	1 PLACE ±	±	±	INITIAL REVISION:							
0 PLACES ±	±	±	ANGULAR TOL ± °		DRWN: BRUPERT 2009/06/02		APPR: JFMURPHY 2009/06/10		2021/06/06		
DRAFT WHERE APPLICABLE MUST REMAIN WITHIN DIMENSIONS		THIRD ANGLE PROJECTION		DRAWING		SERIES		MATERIAL NUMBER		CUSTOMER	
		C-SIZE		130007		SEE TABLE		GENERAL MARKET		1 OF 1	

**molex**

MINI-CHANGE CORDSET, B SIZE  
 8 POLE, FEMALE, STRAIGHT, SINGLE KEY, 16 AWG

PRODUCT CUSTOMER DRAWING

DOCUMENT NUMBER: **SD-130007-006** | DOC TYPE: PSD | DOC PART: 001 | REVISION: B