



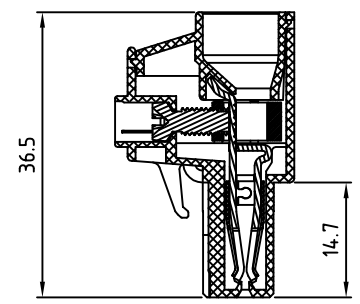
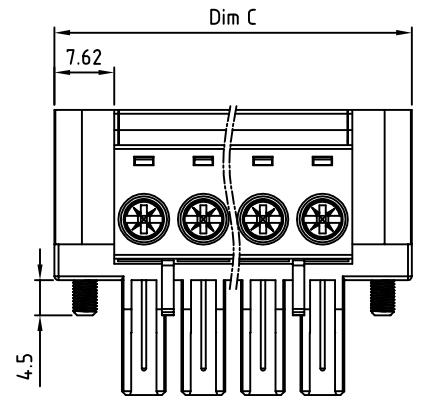
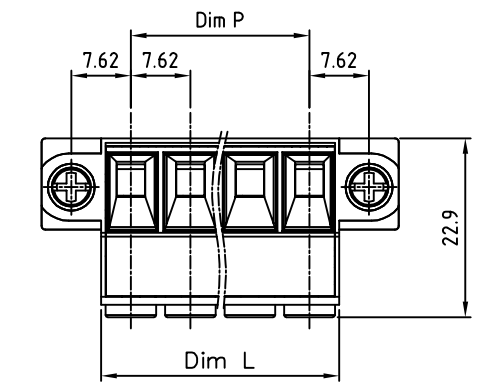
SIGN	DATE	DESCRIPTION	APPROVER
△			
THIS IS CAD DRAWING, DO NOT REVISE MANUALLY!!!			

- Material:**
- Terminal(housing): Thermoplastic (UL94V-0)
 - Terminal(cover): Thermoplastic (UL94V-0)
 - Clamp: Brass Ni plated
 - Female contact : Copper, Tin plated
 - Wire guard: Stainless steel
 - Terminal Screw: Steel , zinc plating " * " type
 - Flange Screw: Steel Zinc plating M3"+/-" slot type
- Electrical:**
- | | | |
|--------------------------|---|----------------------|
| | cULus | TUV |
| ● Voltage rating: | 300 V | 800V |
| ● Current rating: | 32 A | 32A |
| ● Wire range: | | 0.2-6mm ² |
| ● Solid wire(AWG): | 8-24 | |
| ● Stranded wire(AWG): | 8-24 | |
| ● Torque: | 7 LB-In | 0.8N.m |
| ● Screw: | M3.5 | |
| ● Wire strip length: | 10-11 mm | |
| ● Withstanding Voltage: | 1.6KV | 6KV |
| ● Operating temperature: | -40°C to +115°C | |
| ● Safety Approval: |   | |
- RoHS Compliant

Part Number:


OSTETXX0252

No. OF POLES	COLOR
02: 2 POLES	0 Black 5 Green (Standard)
:	2 Red 6 Blue
:	3 Orange 8 Grey
16: 16 POLES	4 Yellow 9 White

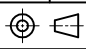


DIM		TOL			
		2P-4P	5P-8P	9P-12P	13P-16P
Dim L	N*7.62	±0.15	±0.20	±0.30	±0.40
Dim P	(N-1)*7.62	±0.15	±0.20	±0.30	±0.40
Dim C	(N+2)*7.62	±0.15	±0.20	±0.30	±0.40

THESE DRAWINGS AND SPECIFICATIONS ARE THE PROPERTY OF ON-SHORE TECHNOLOGY, INC. AND SHALL NOT BE REPRODUCED, COPIED OR USED IN ANY MANNER WITHOUT THE PRIOR WRITTEN CONSENT OF ON-SHORE TECHNOLOGY, INC.



ON-SHORE TECHNOLOGY, INC.

TITLE: OSTET-7.62 W/Flange Series " * " (Mates with OSTVC series)					
PART NO. OSTETXX0252		DWG NO. OSTETXX0252.DWG			
APPROVED	CHECKED	DESIGNED	DRAWN	CUST NO.	
		Chen Bo 11.08.2013	Chen Bo 11.08.2013		
					Tolerance
					UNIT: mm
				SCALE: NONE	X.X ±0.30
				SHEET: 01/01	X.XX ±0.10
				REV. I	X° ±1°