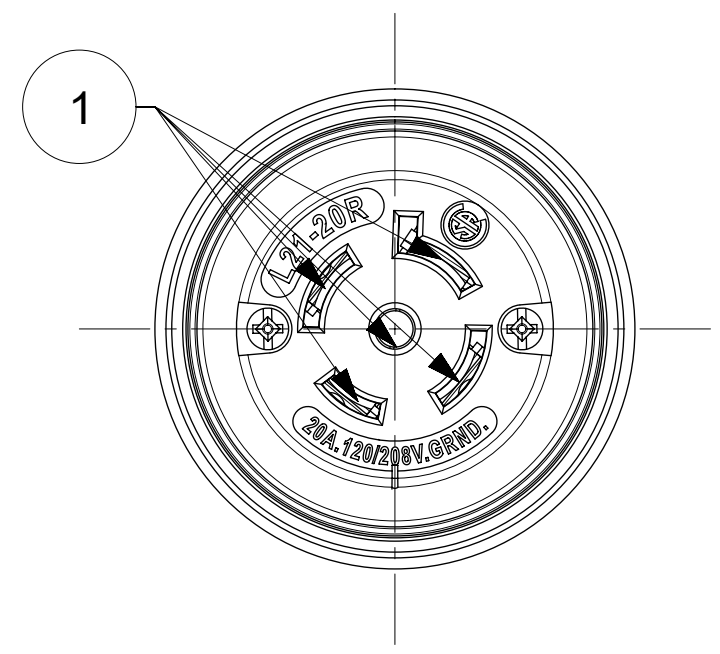
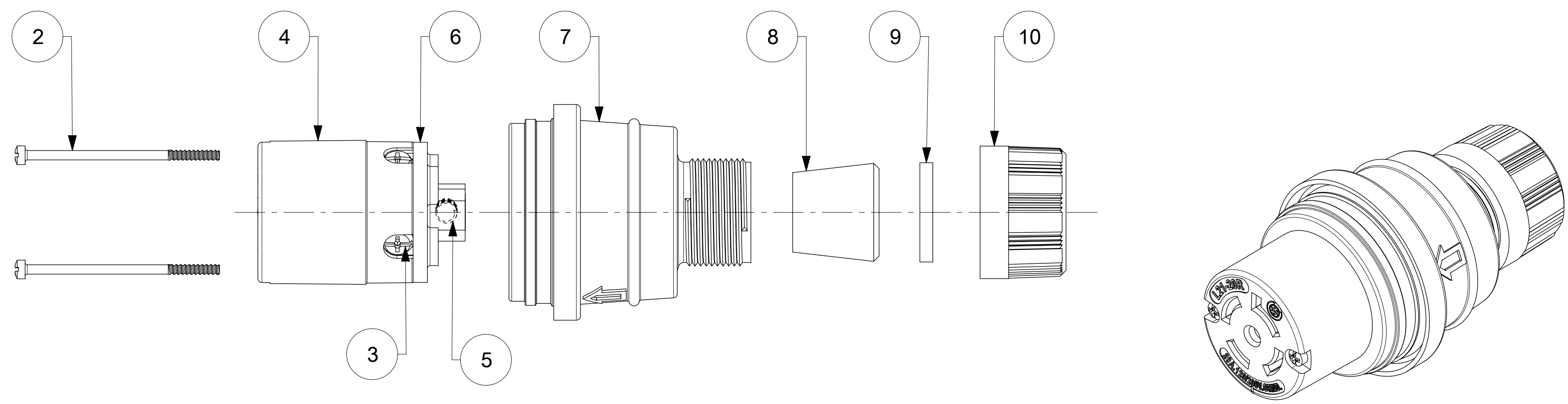
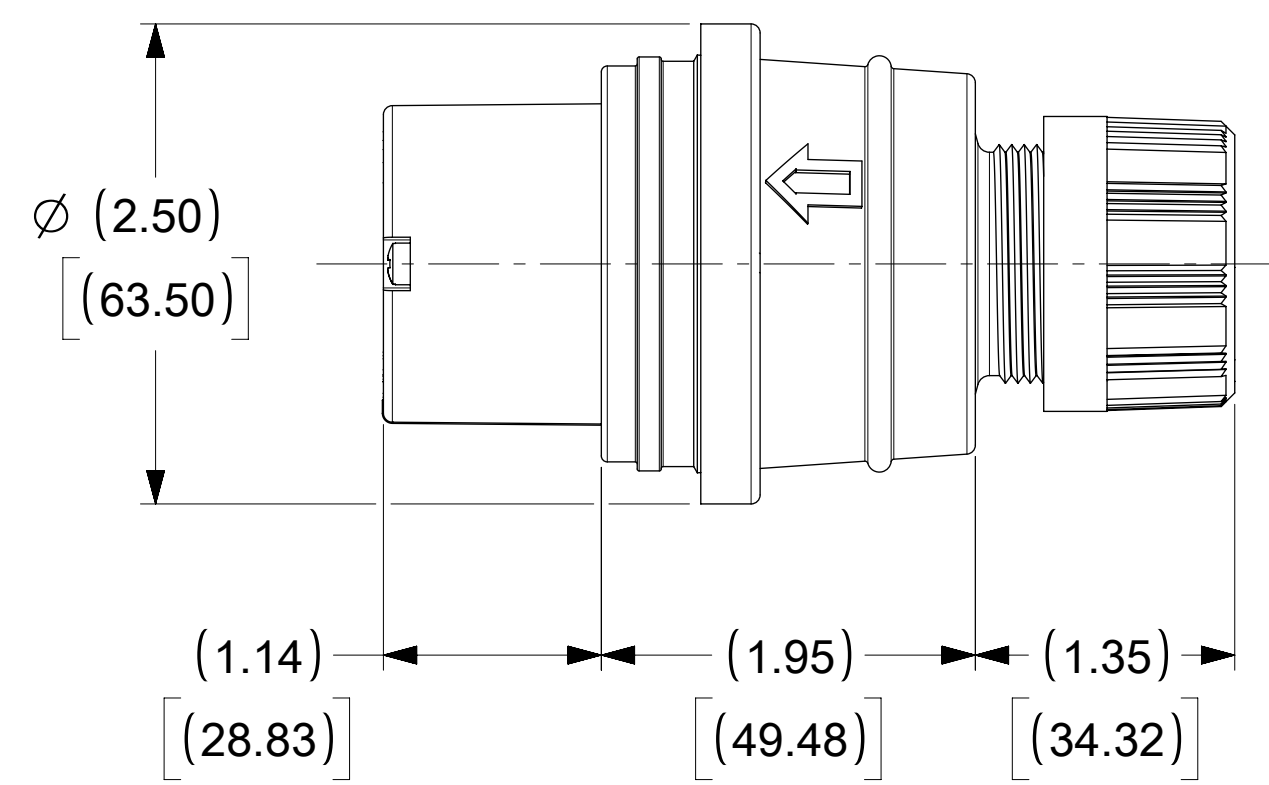


ORDER NO.	WOODHEAD NO.	COLOR
130147-0267	27W81MB-P	YELLOW



FACE VIEW



ITEM NO.	DESCRIPTIONS	MATERIAL	QTY.
1	BLADE	BRASS, NICKEL PLATED	5
2	RETAINING SCREWS	STAINLESS STEEL	2
3	CLAMP AND TERMINAL SCREW ASSY	BRASS, ZINC PLATED	4
4	INSERT	NYLON	1
5	SET SCREW	STAINLESSSTEEL	1
6	TERMINAL COVER	POLYCARBONATE	1
7	HOUSING	SILICON WITH NYLON THREAD	1
8	GROMMET	RUBBER	1
9	FRICTION RING	NYLON	1
10	COMPRESSION NUT	NYLON	1

SYMBOLS DIMENSION UNITS: INCH[MM] SCALE: NTS CURRENT REV DESC: RELEASED		molex WATERTITE CONNECTOR MOTOR BASE 4P5W L21-20	
GENERAL TOLERANCES (UNLESS SPECIFIED) 4 PLACES ± 3 PLACES ± 2 PLACES ± 1 PLACE ± 0 PLACES ±		EC NO: 614282 DRWN: DSOPPIN 2018/12/19 CHK'D: DNGUYEN62 2019/04/16 APPR: HKNEELAND 2019/04/16	
INITIAL REVISION: DRWN: DSOPPIN 2018/12/19 APPR: HKNEELAND 2019/04/16		DOCUMENT NUMBER 1301470267	DOC TYPE DOC PART REVISION PSD 000 A
DRAFT WHERE APPLICABLE MUST REMAIN WITHIN DIMENSIONS		MATERIAL NUMBER SEE TABLE	CUSTOMER GENERAL MARKET
THIRD ANGLE PROJECTION		DRAWING SERIES C-SIZE 130147	SHEET NUMBER 1 OF 1