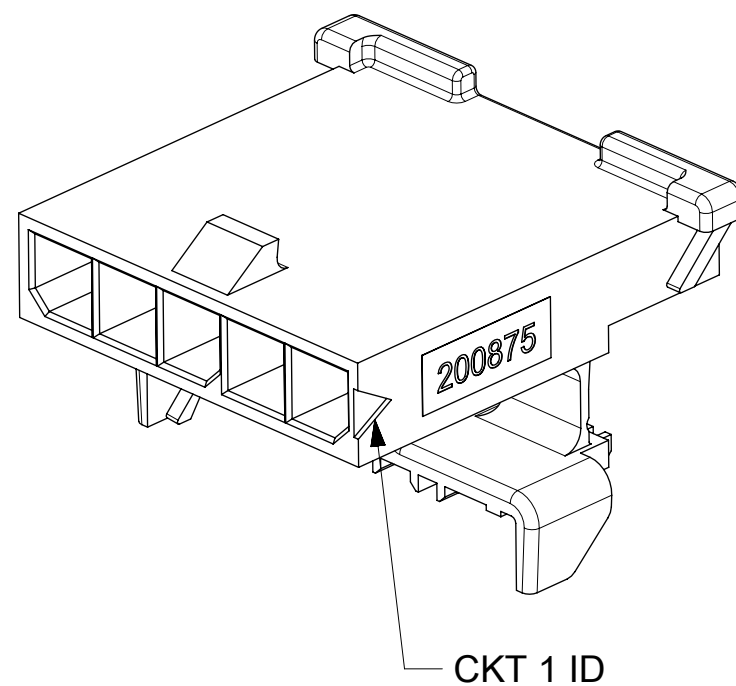
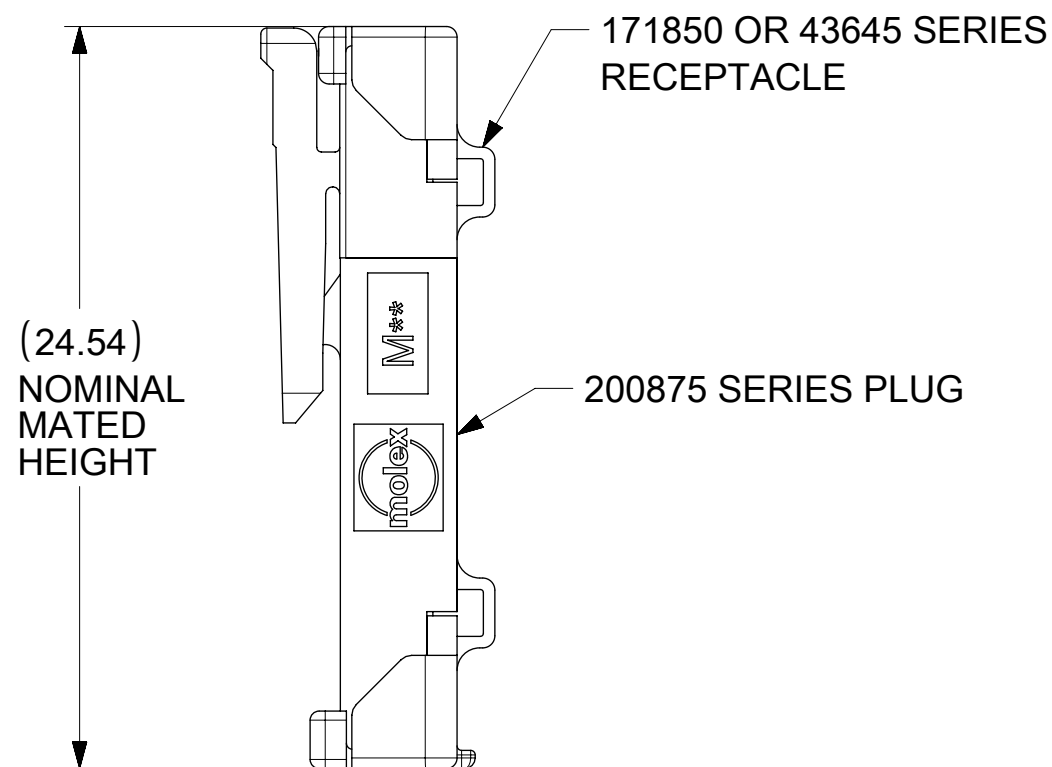
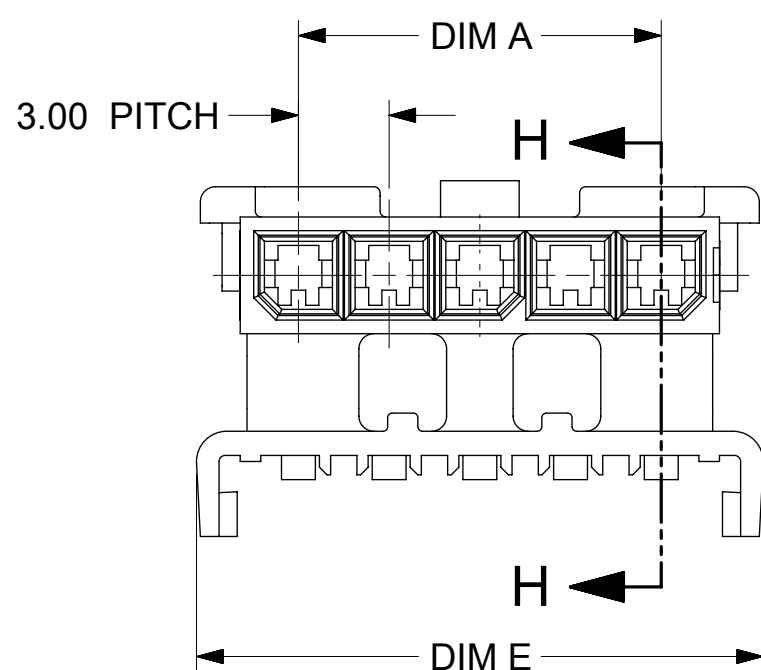
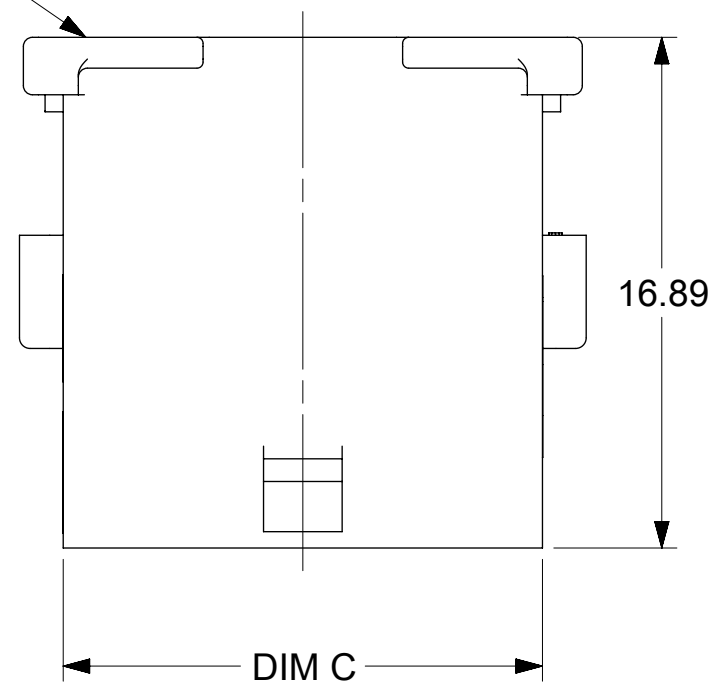
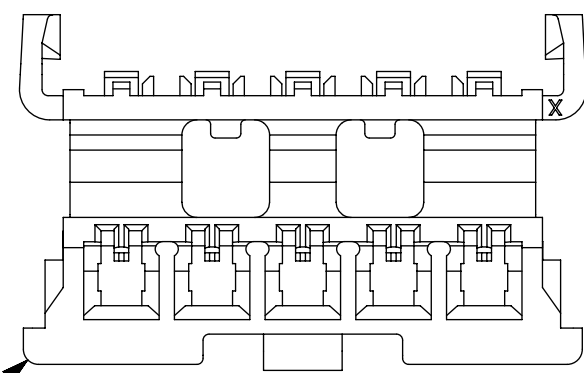


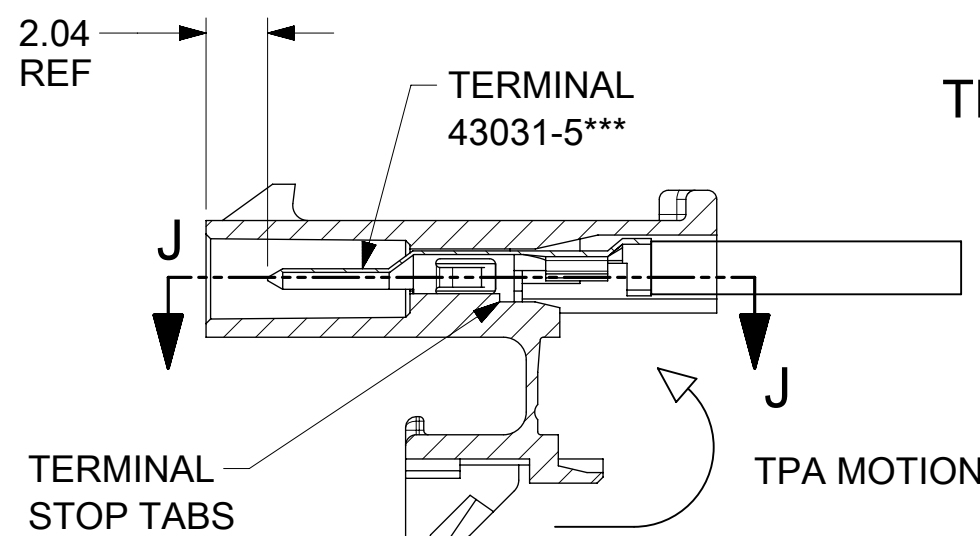
2008750005
SHOWN
AS MOLDED



FREE HANGING OPTION

NOTES:

1. MATERIAL
"A": NYLON, V-0 LOW HALOGEN, COLOR: BLACK
"B": NYLON, V-0, IEC 60335-1 GLOW WIRE CAPABLE, COLOR: BLACK
2. FINISH: NONE
3. PRODUCT SPECIFICATION: PS-43650
4. PACKAGING SPECIFICATION: 2008750000-PK
5. THIS HOUSING TO BE USED WITH MOLEX MALE TERMINAL NUMBERS 430315***.
6. THIS PART MATES WITH MOLEX SERIES 171850 AND 43645.
7. THIS PART CONFORMS TO CLASS 'B' REQUIREMENTS OF COSMETIC SPECIFICATION PS-45499-002.
8. REFER TO AS-45499-001 FOR MOISTURIZING NYLON CONNECTOR PARTS.
9. PRODUCT MUST BE USED WITH TPA INSTALLED.
10. TPA IS INTENDED FOR ONE TIME USE.
11. INTENDED FOR USE WITH 20-30 AWG WIRES ONLY.
12. SOME HOUSINGS MAY HAVE A SMALL GATE BLEMISH NEAR THE GATE THAT DOES NOT AFFECT FUNCTIONALITY.
13. CIRCUIT SIZES 6 TO 12 HAVE ADDITIONAL TPA LATCHING GEOMETRY NEAR THE CENTER OF THE PART THAT MUST BE FULLY ENGAGED FOR TPA TO BE PROPERLY CLOSED.
14. PLUG DESIGNED FOR 1.57 TO 2.30 THICK STAMPED PANEL OR PRINTED CIRCUIT BOARD.
15. PANEL MOUNT FEATURES MUST LOCK ON SIDE OPPOSITE PUNCH SIDE FOR OPTIMUM RETENTION.
16. TEXT ON PART IS FOR REFERENCE ONLY. TEXT AND TEXT LOCATION MAY VARY DEPENDING ON PART NUMBER AND/OR TOOL.



SECTION H-H

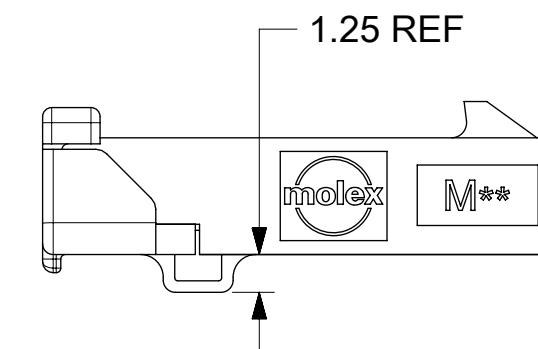
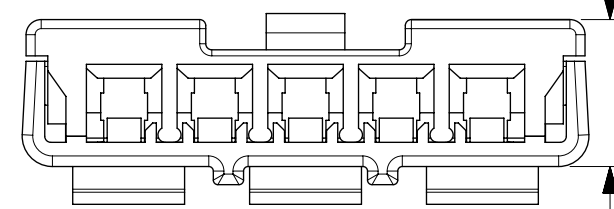
TPA OPEN



SECTION J-J

4.86 +0.30
-0.25
WHEN TPA IS
PROPERLY CLOSED

TPA CLOSED



CIRCUIT SIZE	DIM A	DIM C	DIM E
2	3.00	6.85	9.74
3	6.00	9.85	12.74
4	9.00	12.85	15.74
5	12.00	15.85	18.74
6	15.00	18.85	21.74
7	18.00	21.85	24.74
8	21.00	24.85	27.74
9	24.00	27.85	30.74
10	27.00	30.85	33.74
11	30.00	33.85	36.74
12	33.00	36.85	39.74

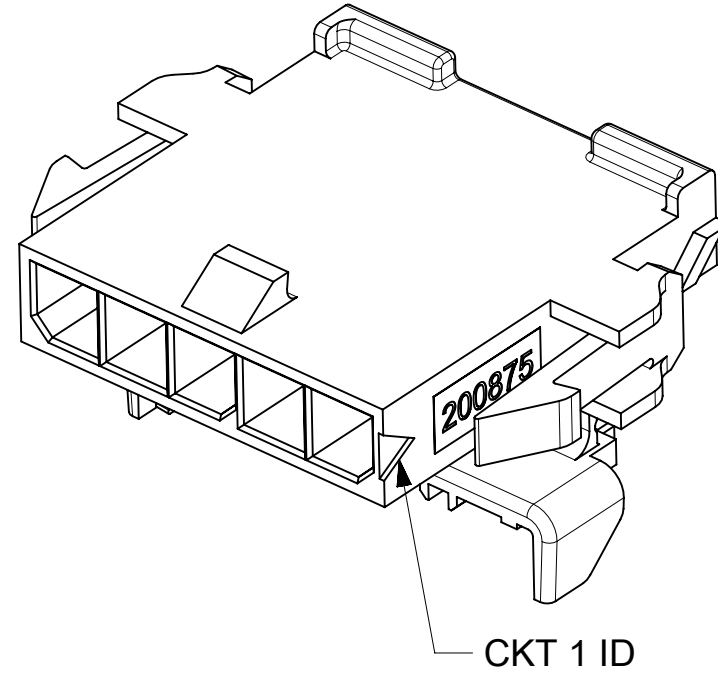
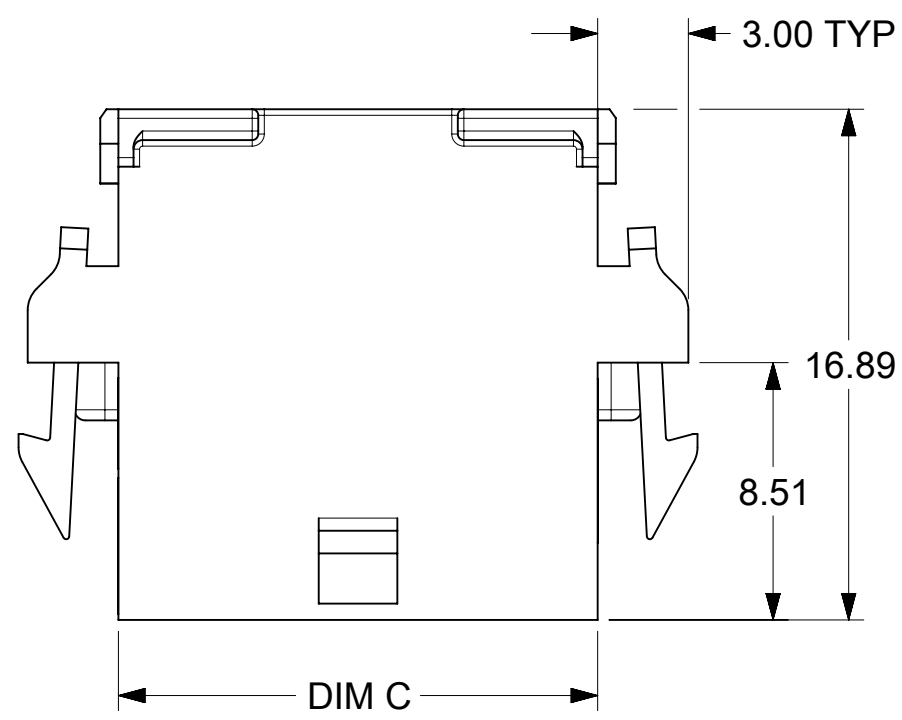
FUNCTIONAL SYMBOLS				THIS DRAWING CONTAINS INFORMATION THAT IS PROPRIETARY TO MOLEX ELECTRONIC TECHNOLOGIES, LLC AND SHOULD NOT BE USED WITHOUT WRITTEN PERMISSION			
DIMENSION UNITS		SCALE		CURRENT REV DESC: ADD 8CKT AND GW OPTION			
mm		4:1		EC NO: 682217			
GENERAL TOLERANCES (UNLESS SPECIFIED)				DRWN: MKIPPER 2020/11/13			
ANGULAR TOL ± °				CHK'D: SSOUSEK 2022/09/06			
4 PLACES ±				APPR: FSMITH 2022/09/07			
3 PLACES ±				INITIAL REVISION:			
2 PLACES ± 0.25				DRWN: TGREGORI 2017/01/05			
1 PLACE ± 0.35				APPR: RHODGE 2017/01/06			
0 PLACES ±				THIRD ANGLE PROJECTION			
DRAFT WHERE APPLICABLE MUST REMAIN WITHIN DIMENSIONS				DRAWING		SERIES	
				C-SIZE		200875	
DOCUMENT NUMBER		DOC TYPE		DOC PART		REVISION	
2008750000-SD		PSD		000		D2	
MATERIAL NUMBER		CUSTOMER		SHEET NUMBER			
SEE TABLE		GENERAL MARKET		1 OF 3			

molex

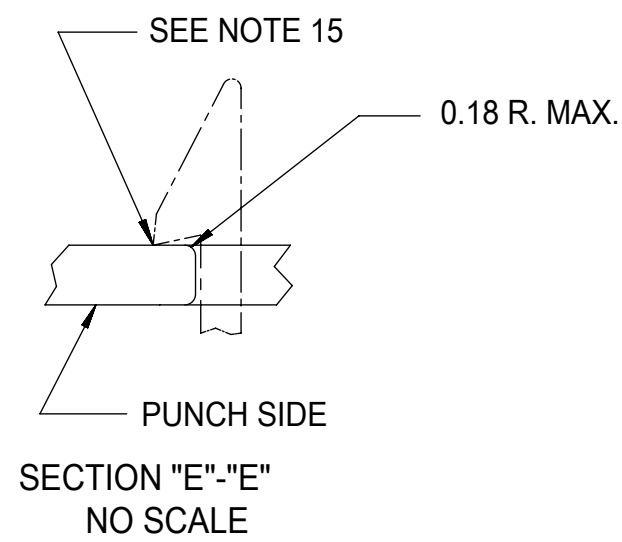
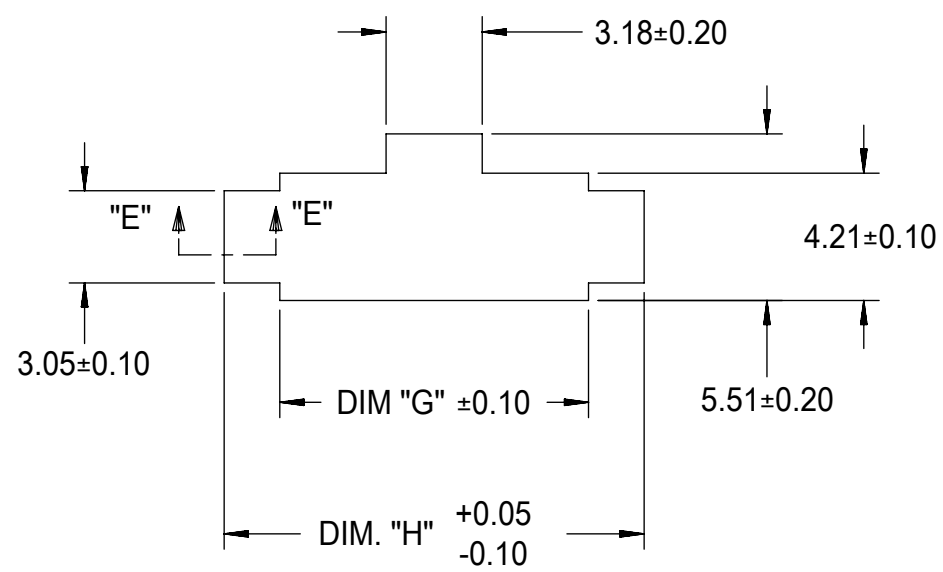
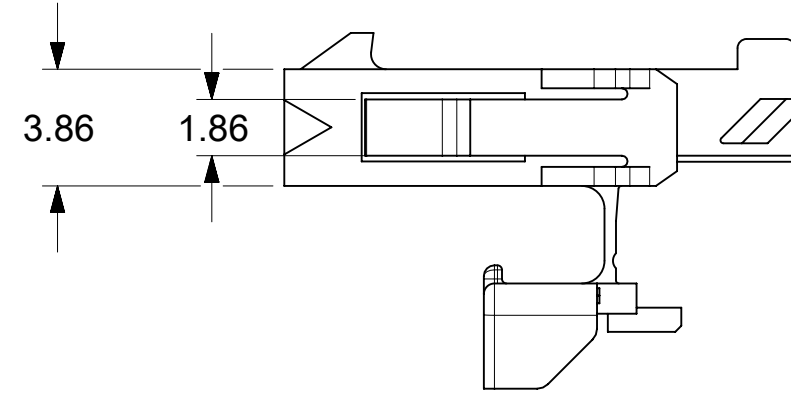
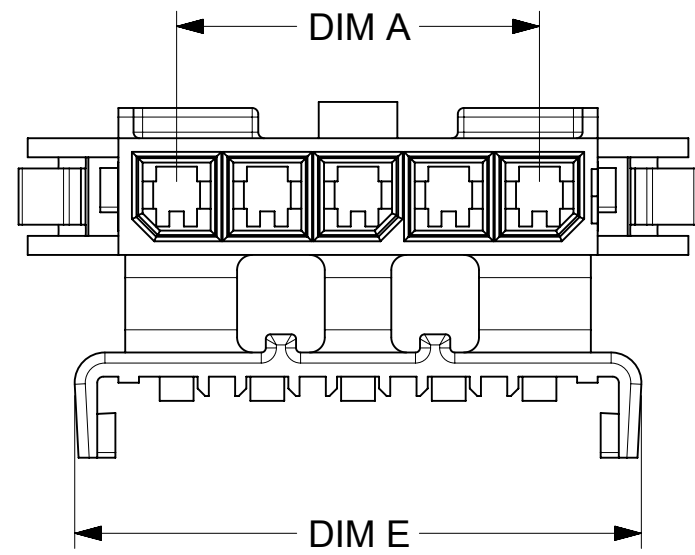
MICRO-FIT TPA SINGLE ROW PLUG HOUSING

PRODUCT CUSTOMER DRAWING

MICRO FIT SINGLE ROW TPA PLUG WITH PANEL MOUNT



PANEL MOUNTED OPTION



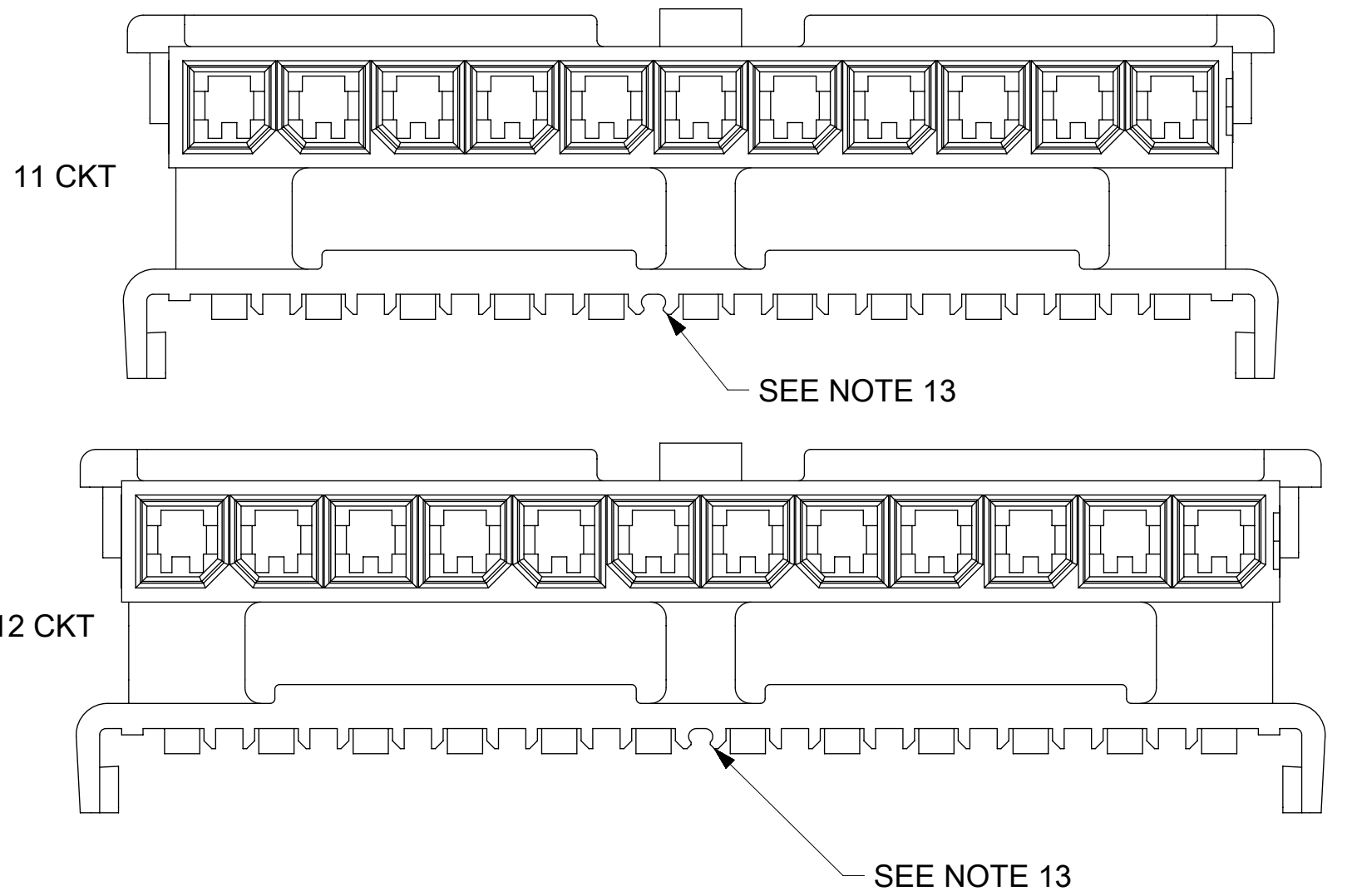
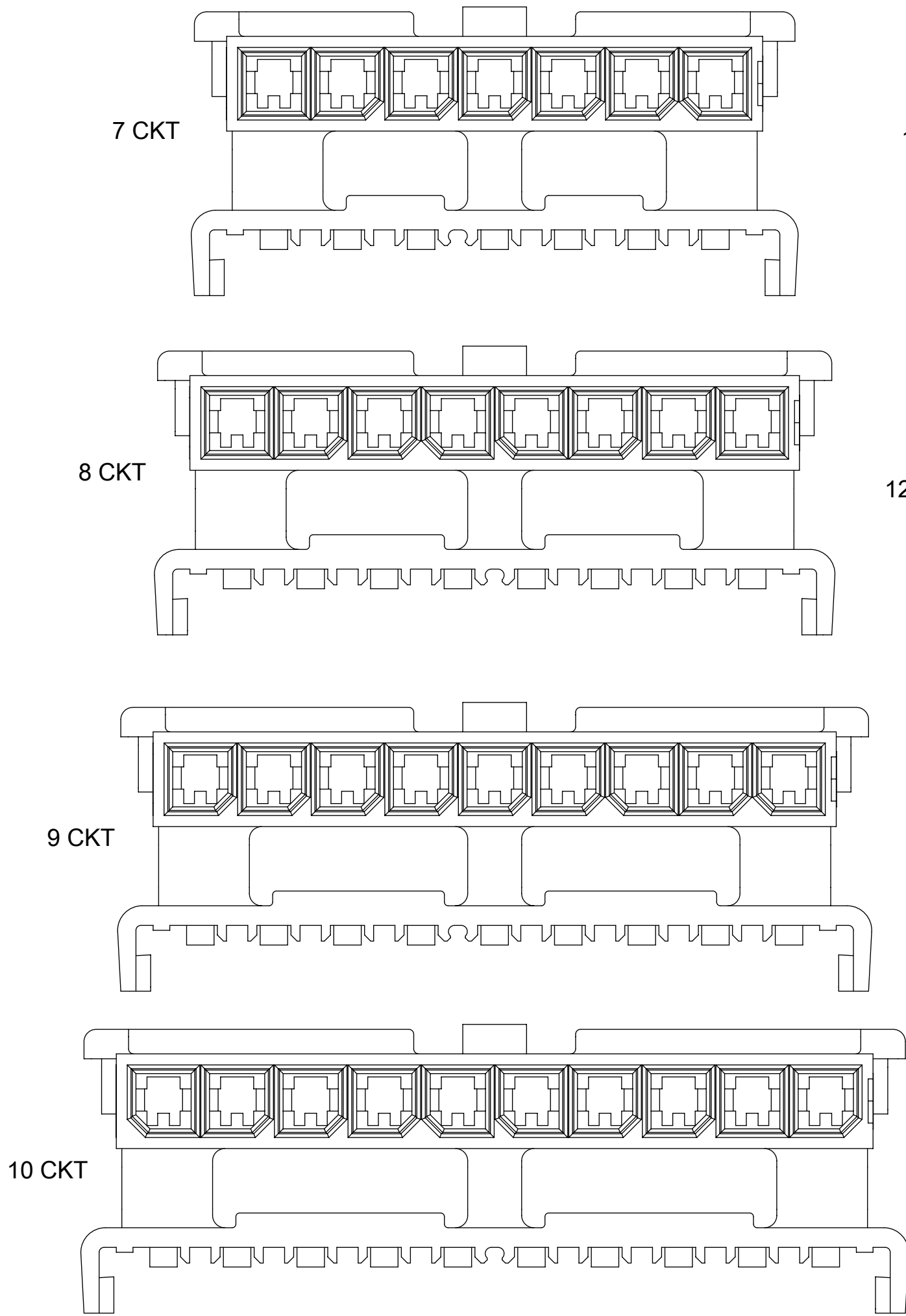
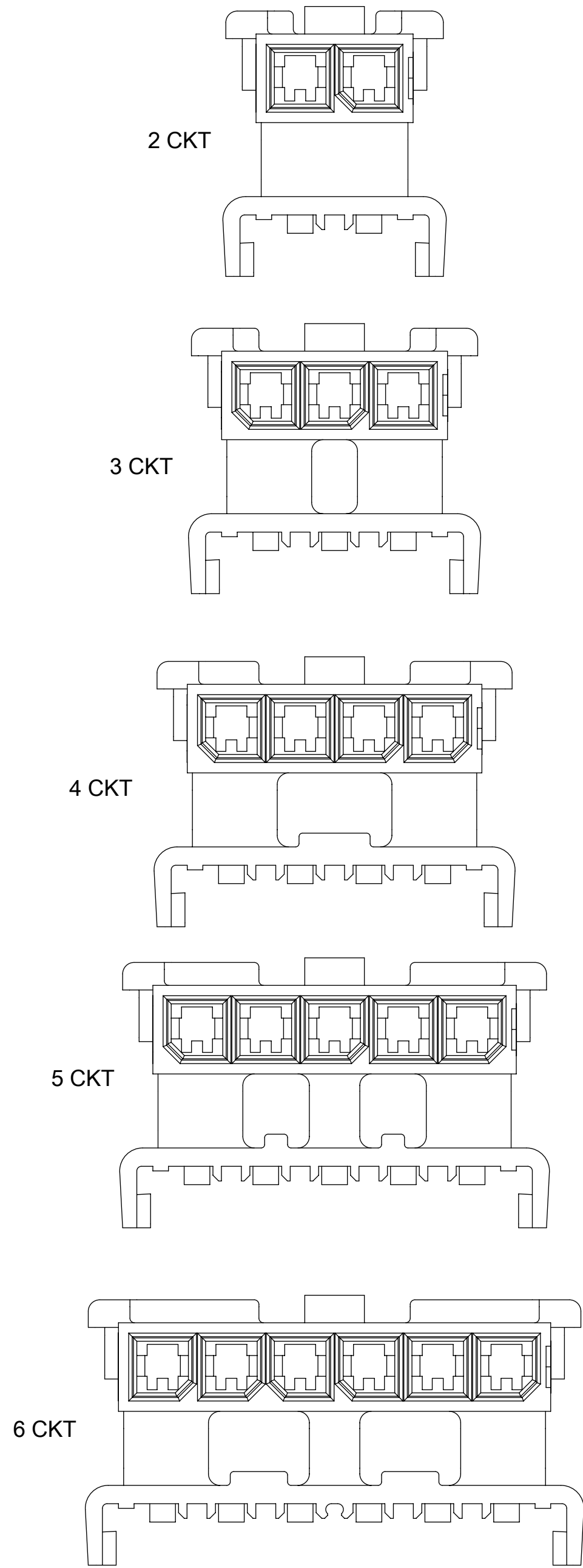
RECOMMENDED PANEL CUT-OUT
(SEE NOTES 14 AND 15)


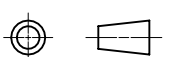
CIRCUIT SIZE	TOOL STATUS	MATERIAL "A" V-0 LOW HALOGEN		MATERIAL "B" V-0 GLOW WIRE	
		FREE HANGING PART NUMBER	PANEL MOUNTED PART NUMBER	FREE HANGING PART NUMBER	PANEL MOUNTED PART NUMBER
		2	TOOLED	2008750002	2008750102
3	2008750003	2008750103		2008751003	2008751103
4	2008750004	2008750104		2008751004	2008751104
5	2008750005	2008750105		2008751005	2008751105
6	2008750006	2008750106		2008751006	2008751106
7	2008750007	2008750107		2008751007	2008751107
8	2008750008	2008750108		2008751008	2008751108
9	NOT TOOLED	2008750009		2008750109	2008751009
10		2008750010	2008750110	2008751010	2008751110
11		2008750011	2008750111	2008751011	2008751111
12		2008750012	2008750112	2008751012	2008751112

CIRCUIT SIZE	DIM A	DIM C	DIM E	DIM G	DIM H
2	3.00	6.85	9.74	7.21	10.89
3	6.00	9.85	12.74	10.21	13.89
4	9.00	12.85	15.74	13.21	16.89
5	12.00	15.85	18.74	16.21	19.89
6	15.00	18.85	21.74	19.21	22.89
7	18.00	21.85	24.74	22.21	25.89
8	21.00	24.85	27.74	25.21	28.89
9	24.00	27.85	30.74	28.21	31.89
10	27.00	30.85	33.74	31.21	34.89
11	30.00	33.85	36.74	34.21	37.89
12	33.00	36.85	39.74	37.21	40.89

FUNCTIONAL SYMBOLS $\frac{E}{A} = 0$ $\frac{E}{C} = 0$ $\frac{E}{P} = 0$	THIS DRAWING CONTAINS INFORMATION THAT IS PROPRIETARY TO MOLEX ELECTRONIC TECHNOLOGIES, LLC AND SHOULD NOT BE USED WITHOUT WRITTEN PERMISSION		CURRENT REV DESC: ADD 8CKT AND GW OPTION		
	DIMENSION UNITS	SCALE	EC NO: 682217		
	mm	4:1	DRWN: MKIPPER 2020/11/13		
	GENERAL TOLERANCES (UNLESS SPECIFIED)		CHK'D: SSOUSEK 2022/09/06		
DIVISIONAL SYMBOLS 4 PLACES ± 3 PLACES ± 2 PLACES ± 0.25 1 PLACE ± 0.35 0 PLACES ±	ANGULAR TOL ± °		APPR: FSMITH 2022/09/07		MICRO-FIT TPA SINGLE ROW PLUG HOUSING PRODUCT CUSTOMER DRAWING
	DRAFT WHERE APPLICABLE MUST REMAIN WITHIN DIMENSIONS		INITIAL REVISION:		
	THIRD ANGLE PROJECTION		DRWN: TGREGORI 2017/01/05		
	DRAWING SERIES		APPR: RHODGE 2017/01/06		
DOCUMENT NUMBER		CUSTOMER		SHEET NUMBER	
2008750000-SD		GENERAL MARKET		2 OF 3	

POLARIZATION LAYOUT



FUNCTIONAL SYMBOLS	THIS DRAWING CONTAINS INFORMATION THAT IS PROPRIETARY TO MOLEX ELECTRONIC TECHNOLOGIES, LLC AND SHOULD NOT BE USED WITHOUT WRITTEN PERMISSION											
DIMENSION UNITS	SCALE		CURRENT REV DESC: ADD 8CKT AND GW OPTION							 MICRO-FIT TPA SINGLE ROW PLUG HOUSING		
mm	5:1											
GENERAL TOLERANCES (UNLESS SPECIFIED)											EC NO: 682217 DRWN: MKIPPER 2020/11/13 CHK'D: SSOUSEK 2022/09/06 APPR: FSMITH 2022/09/07	
ANGULAR TOL ± °												
DIVISIONAL SYMBOLS	4 PLACES ±	3 PLACES ±	2 PLACES ± 0.25	1 PLACE ± 0.35	0 PLACES ±	INITIAL REVISION:		DOCUMENT NUMBER		DOC TYPE	DOC PART	REVISION
DRAFT WHERE APPLICABLE MUST REMAIN WITHIN DIMENSIONS	THIRD ANGLE PROJECTION	DRAWING	SERIES	MATERIAL NUMBER	CUSTOMER	SHEET NUMBER	DRWN: TGREGORI 2017/01/05	2008750000-SD	PSD	000	D2	3 OF 3
		C-SIZE	200875	SEE TABLE	GENERAL MARKET		APPR: RHODGE 2017/01/06					