

# ENVELOPE / ASSEMBLY DRAWING

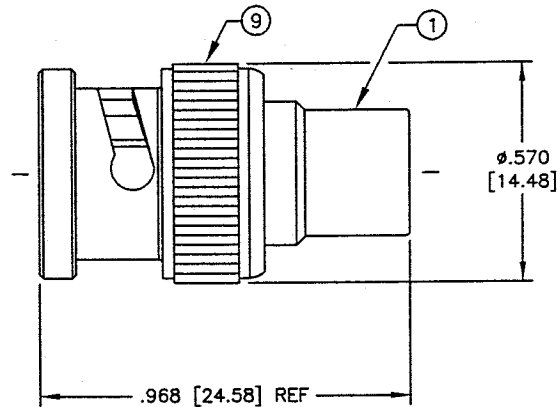
000000

## SPECIFICATION CONTROL DRAWING

THIS DRAWING CONTAINS INFORMATION PROPRIETARY TO RF INDUSTRIES, LTD. ANY UNAUTHORIZED USE OF THIS DRAWING IS EXPRESSLY PROHIBITED. ANY VIOLATION IS PUNISHABLE UNDER U.S. COPYRIGHT LAWS.

REV	DESCRIPTION	DWN	DATE	APPROVED
A	ENGINEERING RELEASE	PB	8/17/92	J. BENZ
B	REMOVE LOCK WASHER AND NUT	KMM	5/25/94	R. RICE
C	STANDARDIZE DRAWING THROUGHOUT	CZS	1/18/00	J. D. McR

ALL DIMENSIONS ARE REFERENCE ONLY



### SPECIFICATIONS:

IMPEDANCE: 50 OHMS  
 WORKING VOLTAGE: 500 VRMS @ SEA LEVEL  
 FREQUENCY RANGE: 0-4 GHz  
 INTERFACE PER MIL-STD-348, SECTION 301.1

DIMENSIONS ARE IN INCHES AND [MILLIMETERS]

UNLESS OTHERWISE NOTED TOLERANCES ARE:  
 DECIMALS DIAMETER

**RFconnectors**  
 DIVISION OF RF INDUSTRIES, LTD.

7610 MIRAMAR RD  
 SAN DIEGO, CA 92126  
 (858) 549-6340  
 (858) 549-6345 FAX

## RFB-1139

BNC MALE TO RCA PHONO JACK ADAPTER

ITEM	DESCRIPTION	QTY	MATERIAL	FINISH
9	SHELL	1	BRASS	NICKEL
8	WASHER	1	BRASS	NICKEL
7	SPRING	1	SK-5	NONE
6	RETAINING RING	1	BRASS	NICKEL
5	GASKET	1	S.I. RUBBER	RED
4	DIELECTRIC	1	DELRIN	NONE
3	DIELECTRIC	1	DELRIN	NONE
2	CONTACT	1	BRASS	GOLD
1	BODY	1	BRASS	NICKEL

DRAWN	C. ZUNIGA	1/18/00
CHECKED	<i>PDM</i>	1-24-00
ORJ DRAWN	P. BREAUX	8/17/92
APPROVALS		DATE

SIZE	CABLE GROUP	DWG NO.	REV
A	N/A	7667	C
SCALE:	2:1	CAD FILE	13ARC B
			SHEET 1 OF 1