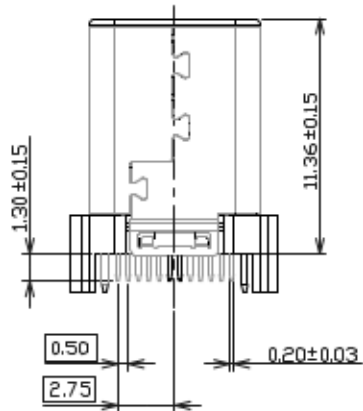
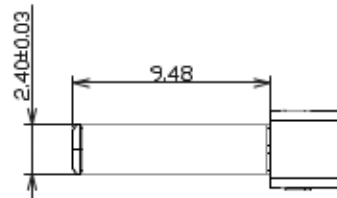
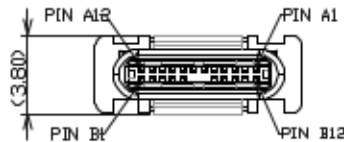
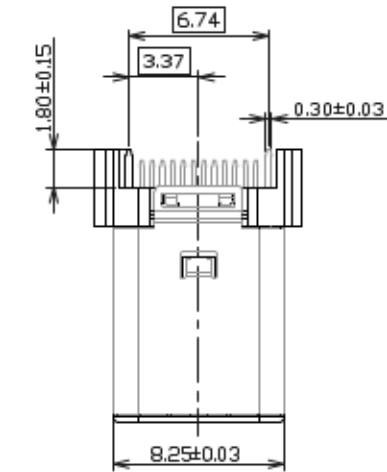


1 HALOGEN FREE



▲ ▲

TABLE B : PIN ASSIGNMENT

PIN NO	A12	A11	A10	A9	A8	A7	A6	A5	A4	A3	A2	A1
SIGNAL NAME	GND	SSRXp2	SSRXn2	VBUS	SBU1	Dn1	Dp1	CC1	VBUS	SSTXn1	SSTXp1	GND
PIN NO	B1	B2	B3	B4	B5	B6	B7	B8	B9	B10	B11	B12
SIGNAL NAME	GND	SSTXp2	SSTXn2	VBUS	CC2			SUB2	VBUS	SSRXn1	SSRXp1	GND

REV.	ECH	DESCRIPTION	DATE	DRAWN	CHECKED	APPROVED
X8	SZECR14253-07	▲X13, AX5, MX8	12/15/14*	ZYY	AlanTsal	ROGER
X9	SZECR14253-08	▲X2, MX2	03/10/15*	ZYY	AlanTsal	ROGER
X10	SZECR14253-09	▲X1, AX1	04/14/15*	ZYY	AlanTsal	

TABLE A: PRODUCT NUMBER CODE

C-AW10- A K 5 X X X  
 ① ② ③ ④ ⑤ ⑥ ⑦

- ① TYPE:  
AW10: USB 2.0 TYPE C PLUG STRADDLE FORMING SHELL TYPE
- ② POSITION:  
A: 22 POSITIONS
- ③ COLOUR OF INSULATOR\K: BLACK
- ▲ ④ CONTACT PLATING:  
1) GOLD FLASH ON CONTACT AREA  
5Au 30u' PLATING ON CONTACT AREA  
6Au 2u' + Pd-Ni 30u' ON CONTACT AREA
- ▲ ⑤ SHELL PLATING:  
V: SOLDERABLE NICKEL WITH TOP / BOTTOM SHELL  
1: SOLDERABLE NICKEL W/O TOP / BOTTOM SHELL
- ▲ ⑥ MATERIAL OF HOUSING:  
5: PA-46(HF)
- ▲ ⑦ OTHER:  
0: TYPE 1 FOR USB2.0 CABLE OD=3.6 mm AND TAPE REEL  
1: TYPE 1 FOR USB2.0 CABLE OD=3.6 mm AND TRAY  
2: TYPE 1 FOR USB2.0 CABLE OD=5.0 mm AND TAPE REEL

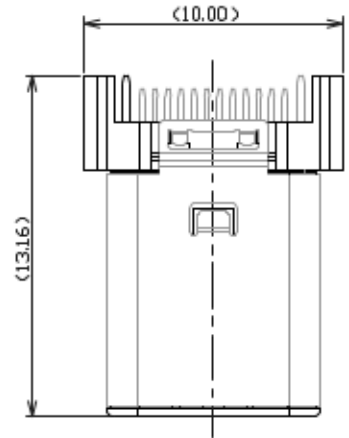
▲ 10	NYLAR	2	F-TP-114504041830	KAPTON
9	BOTTOM SHELL	1	S- AW10-30X0X	STEEL / NI PLATED
8	TOP SHELL	1	S- AW10-20X0X	STEEL / NI PLATED
7	FRONT SHELL	1	S- AW10-10X0X	STEEL / SEE TABLE A
6	RIGHT LATCH	1	H- AW10-10X0L	STAINLESS STEEL / NI PLATED
5	LEFT LATCH	1	H- AW10-10X0L	STAINLESS STEEL / NI PLATED
4	EMI SPRING	2	H- AW10-20X0X	STAINLESS STEEL
▲ 3	CONTACT	22	T- AW10-10X0X	COPPER ALLOY / SEE TABLE A
2	COVER	1	I- AW10-2AKX0	THERMOPLASTIC/UL94 V-0 RATED
1	HOUSING	1	I- AW10-1AKX0	THERMOPLASTIC/UL94 V-0 RATED

ITEM	NAME	Q'TY	PART #	MATERIAL / FINISH																																										
<table border="1"> <tr> <td colspan="2">TOLERANCES UNLESS OTHERWISE SPECIFIED</td> <td>DRAWN</td> <td>DATE</td> <td rowspan="5"> <b>CnC Tech, LLC</b>            ▲ USB 2.0 TYPE C PLUG STRADDLE FORMING SHELL TYPE         </td> </tr> <tr> <td>FORMING</td> <td>F</td> <td>AlanTsal</td> <td>7/22/14*</td> </tr> <tr> <td>DESIGN</td> <td>X</td> <td></td> <td></td> </tr> <tr> <td>APP</td> <td>X</td> <td></td> <td></td> </tr> <tr> <td></td> <td>X</td> <td></td> <td></td> </tr> <tr> <td colspan="2">MATERIALS</td> <td>CHECKED</td> <td>DATE</td> <td rowspan="3">           SERIALS            AWTX SERIES            DWG NO. C- AW10-00-00            REV. X10         </td> </tr> <tr> <td>SOUL</td> <td>3d</td> <td>Roger</td> <td>7/23/14*</td> </tr> <tr> <td colspan="2">SHEET 1 OF 4</td> <td>APPROVED</td> <td>DATE</td> </tr> <tr> <td>LNK</td> <td>PIV</td> <td>Roger</td> <td>7/23/14*</td> </tr> <tr> <td colspan="2"> </td> <td colspan="2">C-AW10-AK5V50</td> </tr> </table>					TOLERANCES UNLESS OTHERWISE SPECIFIED		DRAWN	DATE	<b>CnC Tech, LLC</b> ▲ USB 2.0 TYPE C PLUG STRADDLE FORMING SHELL TYPE	FORMING	F	AlanTsal	7/22/14*	DESIGN	X			APP	X				X			MATERIALS		CHECKED	DATE	SERIALS AWTX SERIES DWG NO. C- AW10-00-00 REV. X10	SOUL	3d	Roger	7/23/14*	SHEET 1 OF 4		APPROVED	DATE	LNK	PIV	Roger	7/23/14*			C-AW10-AK5V50	
TOLERANCES UNLESS OTHERWISE SPECIFIED		DRAWN	DATE	<b>CnC Tech, LLC</b> ▲ USB 2.0 TYPE C PLUG STRADDLE FORMING SHELL TYPE																																										
FORMING	F	AlanTsal	7/22/14*																																											
DESIGN	X																																													
APP	X																																													
	X																																													
MATERIALS		CHECKED	DATE	SERIALS AWTX SERIES DWG NO. C- AW10-00-00 REV. X10																																										
SOUL	3d	Roger	7/23/14*																																											
SHEET 1 OF 4		APPROVED	DATE																																											
LNK	PIV	Roger	7/23/14*																																											
		C-AW10-AK5V50																																												

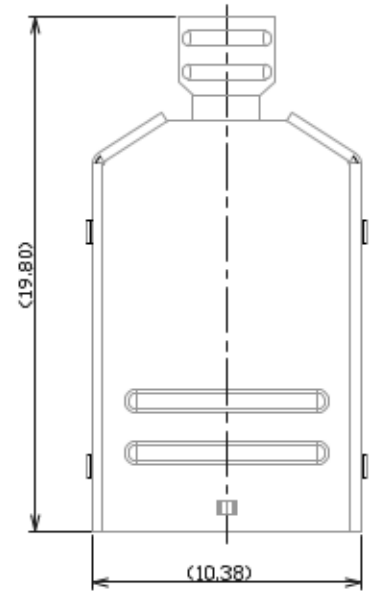
1 2 3 4 5 6 7 8

HALOGEN FREE

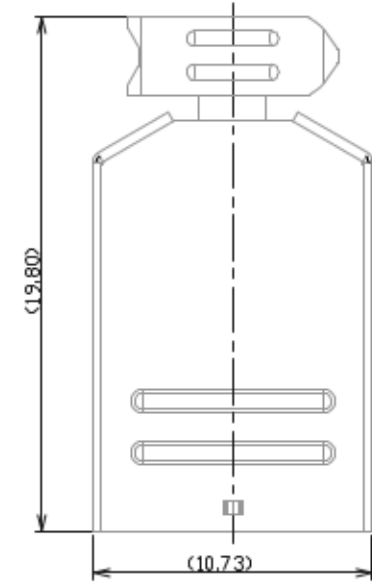
A  
B  
C  
D  
E  
F



PLUG SUB-ASSEMBLY: C-AW10-AK5150



TOP SHELL: C-S-AW10-20V00



BOTTOM SHELL: C-S-AW10-30V00

C-AW10-AK5150 +  
 C-S-AW10-20V00 +  
 C-S-AW10-30V00 =  
**C-AW10-AK5V50**

<small>TOLERANCES UNLESS OTHERWISE SPECIFIED:                  FRACTIONS .005 .010 .015 .020 .030 .040 .050 .060 .070 .080 .090 .100 .125 .150 .175 .200 .250 .300 .375 .450 .500 .625 .750 .875 1.000                  DECIMALS .005 .010 .015 .020 .030 .040 .050 .060 .070 .080 .090 .100 .125 .150 .175 .200 .250 .300 .375 .450 .500 .625 .750 .875 1.000                  ANGLES .005 .010 .015 .020 .030 .040 .050 .060 .070 .080 .090 .100 .125 .150 .175 .200 .250 .300 .375 .450 .500 .625 .750 .875 1.000                  HOLE .005 .010 .015 .020 .030 .040 .050 .060 .070 .080 .090 .100 .125 .150 .175 .200 .250 .300 .375 .450 .500 .625 .750 .875 1.000                  SHAFT .005 .010 .015 .020 .030 .040 .050 .060 .070 .080 .090 .100 .125 .150 .175 .200 .250 .300 .375 .450 .500 .625 .750 .875 1.000</small>	DRAWN AlanTeal 7/22/14*	DATE 7/22/14*	CnC Tech, LLC USB 2.0 TYPE C PLUG STRADDLE FORMING SHELL TYPE
	DESIGN AlanTsal 7/22/14*	DATE 7/22/14*	
	CHECKED Roger 7/23/14*	DATE 7/23/14*	
	APPROVED Roger 7/23/14*	DATE 7/23/14*	
SCALE 3d	C-AW10-AK5V50		SERIES AW1X SERIES DWG NO. REV. A3 X10