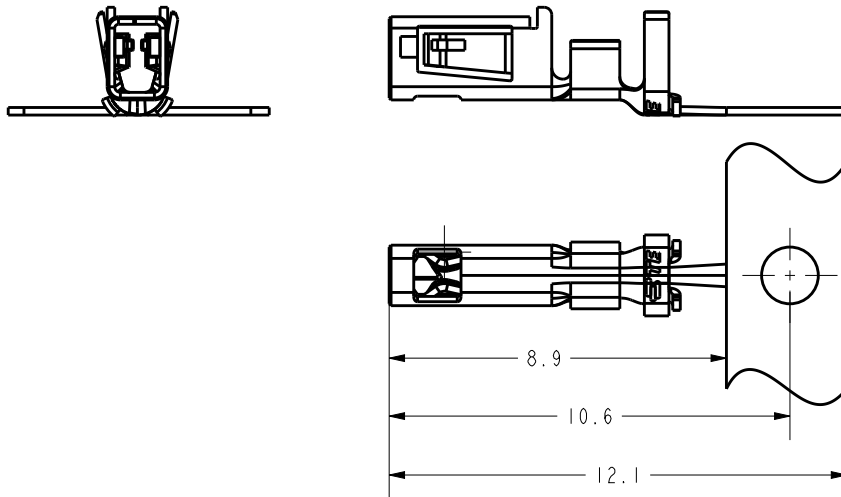
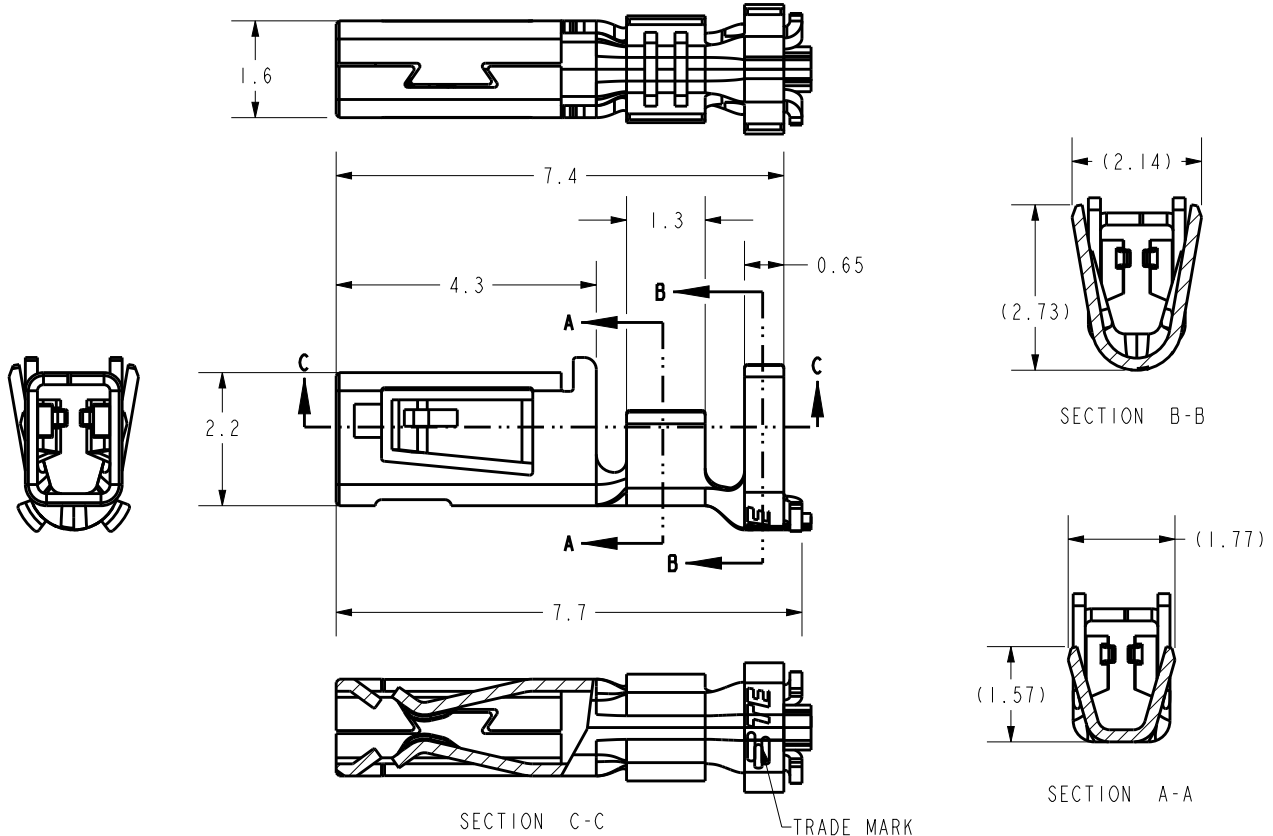


| REVISIONS | | | | | |
|-----------|-----|----------------|-----------|-----|------|
| P | LTR | DESCRIPTION | DATE | DWN | APVD |
| | A | FIRST RELEASED | 11SEP2018 | C.X | D.Z |



1. APPLICABLE PLUG HOUSING P/N X-1971793-X

| | | | | |
|------------|----------------|----------------------|-----------|-----------|
| AWG#22-#28 | 1.08~1.50 | PRE-TIN COPPER ALLOY | 7 | 2232557-1 |
| WIRE RANGE | INSULATION DIA | MATERIAL | APPL FEED | PART NO. |

RELEASED FOR PUBLICATION 20

ALL RIGHTS RESERVED.

BY -

© COPYRIGHT 20

| | |
|--|-------|
| DIMENSIONS: | |
| mm | |
| TOLERANCES UNLESS OTHERWISE SPECIFIED: | |
| 0 PLC | ±- |
| 1 PLC | ±0.3 |
| 2 PLC | ±0.20 |
| 3 PLC | ±- |
| 4 PLC | ±- |
| ANGLES | ±- |
| | |

| | | | | | |
|------------------|------------|----------|-----------|--------|---|
| DWN | 11-JAN-17 | MATERIAL | SEE TABLE | FINISH | - |
| ANNIE QIAN | | | | | |
| CHK | 16JAN17 | | | | |
| DANIEL ZHANG | | | | | |
| APVD | 16JAN17 | | | | |
| DANIEL ZHANG | | | | | |
| PRODUCT SPEC | 108-106077 | | | | |
| APPLICATION SPEC | 114-106077 | | | | |
| WEIGHT | - | | | | |
| CUSTOMER DRAWING | | | | | |

| | | | | | |
|-------|--|--|-----------|------------|---------------|
| | | NAME RECEPTACLE CONTACT, 2.5 PITCH NEXT GENERATION GI CONNECTOR | | | |
| | | SIZE | CAGE CODE | DRAWING NO | RESTRICTED TO |
| A4 | | 00779 | C-2232557 | | - |
| SCALE | | SHEET | | OF | REV |
| | | | | | A |