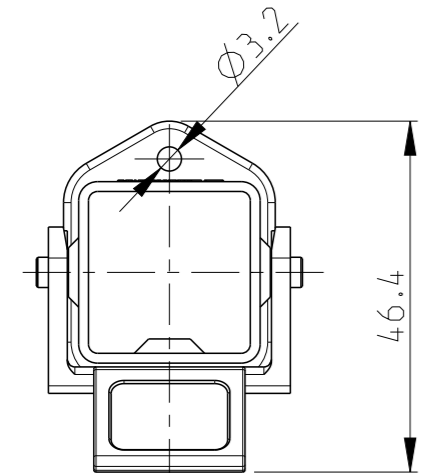
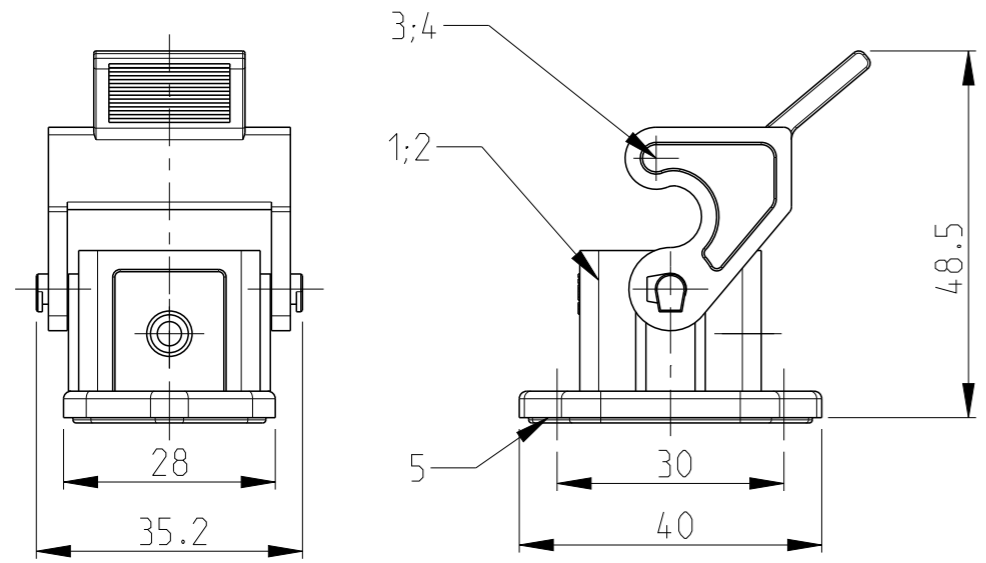
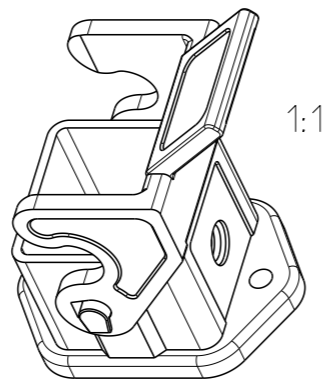
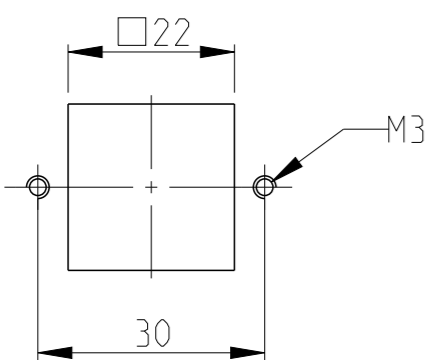


P	LTR	DESCRIPTION	DATE	DWN	APVD
A1		NEW DRAWN	18.06.08	SM	ST
A2		ECR-21-123577	16MAR2022	RK	JB



Panel cut-out



Notes


- 1 SUITABLE INSERT: SERIES HA.3/4; HD.7/8; HN.D.7/8; HE-Q.5{
- 2 STANDARDS:
DIN EN 61984, DIN EN 60664-1
- 3 TOLERANCES UNLESS OTHERWISE SPECIFIED:
n. ISO 8015
n. ISO 2768-mH-E
n. DIN 16901
- 4 PACKAGING:
10 SETS IN A CARTON, PRE-MOUNTED

OBSOLETE

QTY	DESCRIPTION	MATERIAL	COLOR	NOTE	ITEM NO. POS.
1	FLANGE MOUNTED SEAL	NBR	BLACK	CONDUCTIVE	5
1	SIDE CLIP	PBT-GF25	BLACK		4
1	SIDE CLIP	PBT-GF30	LIGHT-GREY		3
1	SURFACE MOUNTED HOUSING	PBT-GF25	BLACK		2
1	SURFACE MOUNTED HOUSING	PBT-GF30	LIGHT-GREY		1
0-2					
	HG-Q.5.AG				
	HG-Q.5.AG.BL				

THIS DRAWING IS A CONTROLLED DOCUMENT.		DWN M. Schweiger 18.06.08	TE Connectivity		
		CHK Th. Schnurpfeil 18.06.08			
DIMENSIONS: mm		APVD -	NAME SURFACE MOUNTED HOUSING HG-Q.5.AG		
TOLERANCES UNLESS OTHERWISE SPECIFIED:		PRODUCT SPEC -	APPLICATION SPEC -		
0 PLC ± 1 PLC ± 2 PLC ± 3 PLC ± 4 PLC ± ANGLES ±°		WEIGHT 109g	SIZE A3	CAGE CODE 00779	DRAWING NO C-1103171
MATERIAL -		FINISH -	RESTRICTED TO -		
		CUSTOMER DRAWING	SCALE 1:1	SHEET 1 OF 1	REV A2

Notes

- 1 CONTACT: X TO Y
SUITABLE CRIMP CONTACTS: SERIES X
CUSTOMER DRAWING: 110XXXX
OUTER DIMENSIONS OF INSULATION: MAX. ØXX MM
- 2 SUITABLE CRIMP CONTACTS: SERIES X
CUSTOMER DRAWING: 110XXXX
OUTER DIMENSIONS OF INSULATION: MAX. ØXX MM
- 3 SIGNAL CONTACT: X AND Y
SUITABLE CRIMP CONTACTS: SERIES X
CUSTOMER DRAWING: 110XXXX
OUTER DIMENSIONS OF INSULATION: MAX. ØXX MM
- 4 GROUNDING CONTACT:
SUITABLE CRIMP CONTACTS: SERIES X
CUSTOMER DRAWING: 110XXXX
OUTER DIMENSIONS OF INSULATION: MAX. ØXX MM
- 5 SUITABLE HOOD: SERIES X
- 6 SUITABLE MODULE FIXING FRAME: SERIES HVS
CUSTOMER DRAWING: 1103250
- 7 SUITABLE INSERTION TOOL:
CUSTOMER DRAWING: 110XXXX
- 8 SUITABLE EXTRACTION TOOL:
CUSTOMER DRAWING: 100XXXX
- 9  STANDARDS:
DIN EN 61984, DIN EN 60664-1
- 10 POLARIZATION RIPS
- 11 MARKING OF POLARIZATION ACCORDING MARKING OF
MODULE FRAME
- 12 AUTHORISATION; UL; CSA; VDE; SEV
- 13 PACKAGING:
10 SETS IN A CARTON, PRE-MOUNTED

REVISIONS					
P	LTR	DESCRIPTION	DATE	DWN	APVD
	-	SEE SHEET 1	-	-	-

THIS DRAWING IS A CONTROLLED DOCUMENT.

DWN M. Schweiger 18.06.08

CHK Th. Schnurpfeil 18.06.08

APVD -

PRODUCT SPEC -

APPLICATION SPEC -

WEIGHT 109g

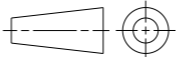
CUSTOMER DRAWING



NAME SURFACE MOUNTED HOUSING
HG-Q.5.AG

SIZE A3 CAGE CODE 00779 DRAWING NO. C=1103171 RESTRICTED TO -

SCALE 1:1 SHEET 2 OF 1 REV A2

DIMENSIONS:	TOLERANCES UNLESS OTHERWISE SPECIFIED:
mm	
	0 PLC ±
	1 PLC ±
	2 PLC ±
	3 PLC ±
	4 PLC ±
	ANGLES ±°
MATERIAL -	FINISH -
-	-