



LED Display Product Data Sheet LTD-5623AJG

Spec No.: DS30-2001-382

Effective Date: 03/07/2013

Revision: A

LITE-ON DCC

RELEASE

BNS-OD-FC001/A4

LED DISPLAY

LTD-5623AJG DATA SHEET

Rev	Description	By
-	Original Spec	Ruby Lee November 17, 2001
A	Add cosmetic Spec	Phanomkorn July 27, 2012

SPEC NO. : DS30-2001-382

DATE : July 27, 2012

REV. NO. : 01


PAGE NO. : 0 OF 5

CUSTOMER APPROVAL :

DATE :

Rev	Description	By
-	Original Spec	Ruby Lee November 17, 2001
A	Add cosmetic Spec	Phanomkorn July 27, 2012

SPEC NO. :
DATE : July 27, 2012
REV. NO. : 01
PAGE NO. : 0 OF 5
CUSTOMER APPROVAL :
DATE :



PART NO.: LTD-5623AJG PAGE: 0 of 5
BNS-OD-C131/A4

FEATURES

- * 0.56 inch (14.22 mm) DIGIT HEIGHT.
- * CONTINUOUS UNIFORM SEGMENTS.
- * LOW POWER REQUIREMENT.
- * EXCELLENT CHARACTERS APPEARANCE.
- * HIGH BRIGHTNESS & HIGH CONTRAST.
- * WIDE VIEWING ANGLE.
- * SOLID STATE RELIABILITY.
- * CATEGORIZED FOR LUMINOUS INTENSITY.
- * LEAD-FREE PACKAGE (ACCORDING TO ROHS)

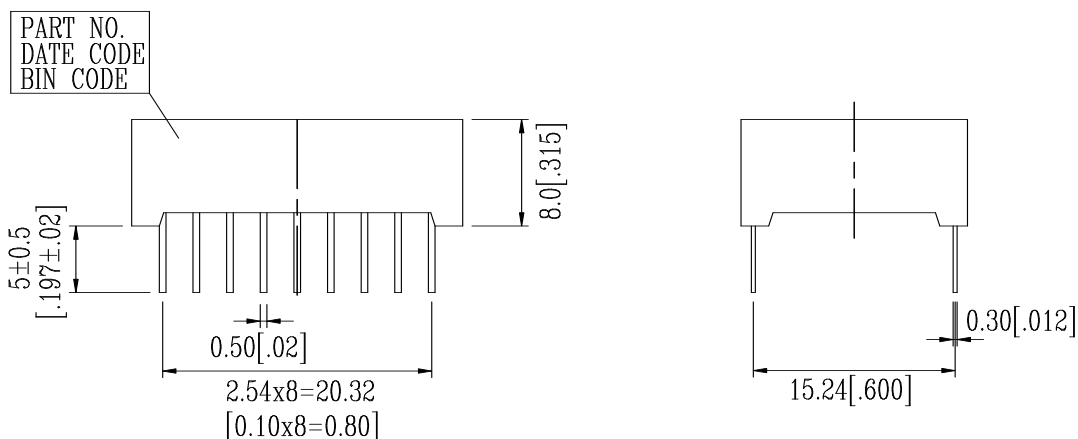
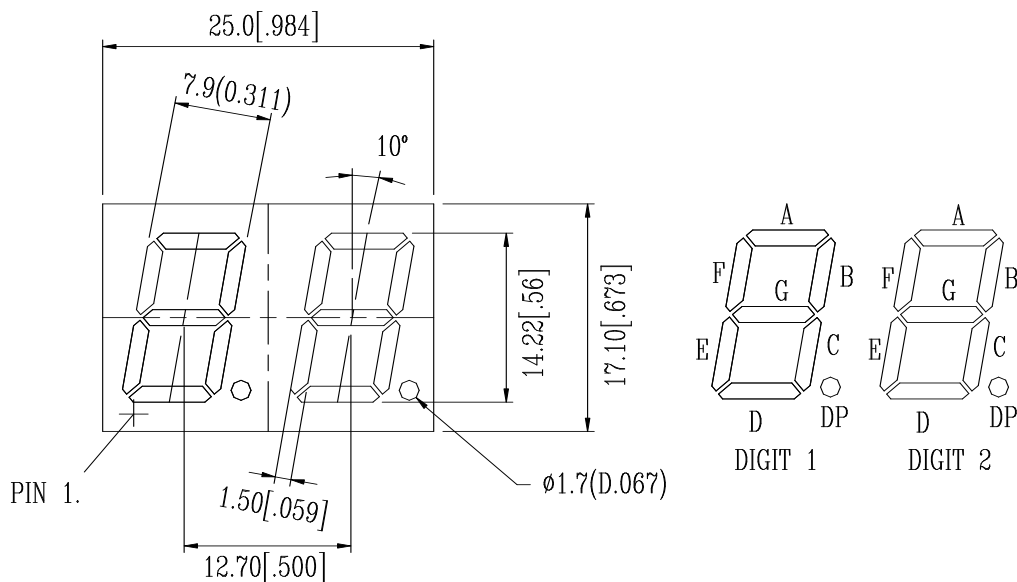
DESCRIPTION

The LTD-5623AJG is a 0.56 inch (14.22 mm) digit height dual digit seven-segment display. This device utilizes AlInGaP Green LED chips, which are made from AlInGaP on a non-transparent GaAs substrate, and has a gray face and green segments.

DEVICE

PART NO.	DESCRIPTION
AlInGaP Green	Common Cathode Rt. Hand Decimal
LTD-5623AJG	

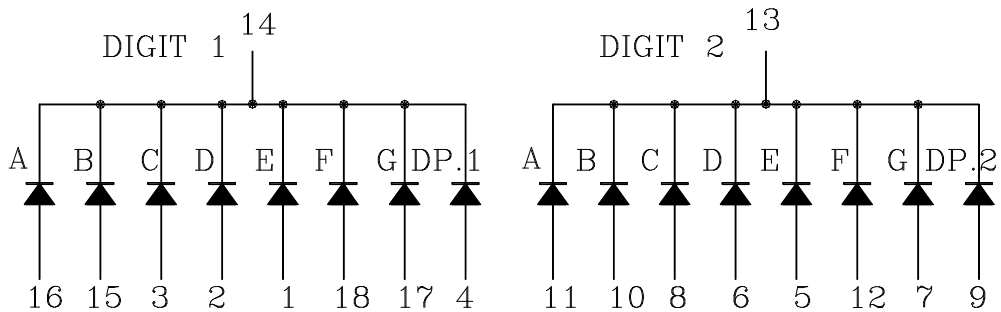
PACKAGE DIMENSIONS



NOTES:

1. All dimensions are in millimeters. Tolerances are ± 0.25 mm (0.01") unless otherwise noted.
2. Pin tip's shift tolerance is ± 0.4 mm.
3. Recommend the best PCB hole: $\varnothing 1.0$ mm
4. Foreign material on segment ≤ 10 mils
5. Ink contamination (surface) ≤ 20 mils
6. Bending $\leq 1/100$
7. Bubble in segment ≤ 10 mils

INTERNAL CIRCUIT DIAGRAM



PIN CONNECTION

No	CONNECTION
1	ANODE E (DIGIT 1)
2	ANODE D (DIGIT 1)
3	ANODE C (DIGIT 1)
4	ANODE D.P. (DIGIT 1)
5	ANODE E (DIGIT 2)
6	ANODE D (DIGIT 2)
7	ANODE G (DIGIT 2)
8	ANODE C (DIGIT 2)
9	ANODE D.P. (DIGIT 2)
10	ANODE B (DIGIT 2)
11	ANODE A (DIGIT 2)
12	ANODE F (DIGIT 2)
13	COMMON CATHODE (DIGIT 2)
14	COMMON CATHODE (DIGIT 1)
15	ANODE B (DIGIT 1)
16	ANODE A (DIGIT 1)
17	ANODE G (DIGIT 1)
18	ANODE F (DIGIT 1)

ABSOLUTE MAXIMUM RATING AT Ta=25°C

PARAMETER	MAXIMUM RATING	UNIT
Power Dissipation Per Segment	70	mW
Peak Forward Current Per Segment (1/10 Duty Cycle, 0.1ms Pulse Width)	60	mA
Continuous Forward Current Per Segment	25	mA
Derating Linear From 25°C Per Segment	0.28	mA/°C
Reverse Voltage Per Segment	5	V
Operating Temperature Range	-35°C to +105°C	
Storage Temperature Range	-35°C to +105°C	
Soldering Conditions : 1/16 inch below seating plane for 3 seconds at 260 ⁰ C or of temperature unit (during assembly) not over max. temperature rating.		

ELECTRICAL / OPTICAL CHARACTERISTICS AT Ta=25°C

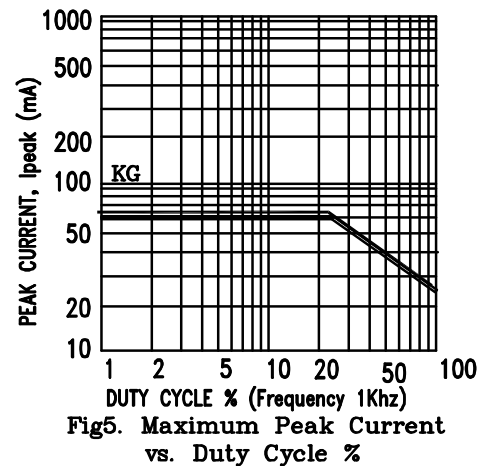
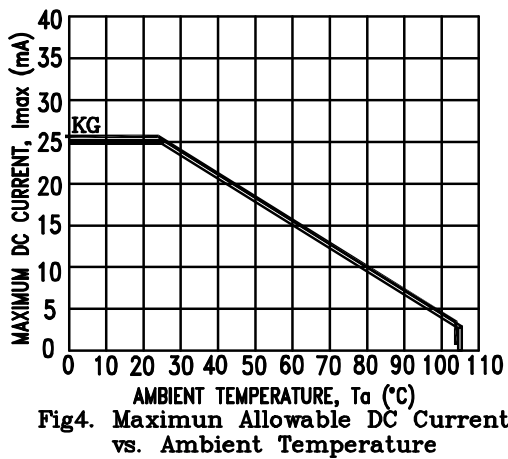
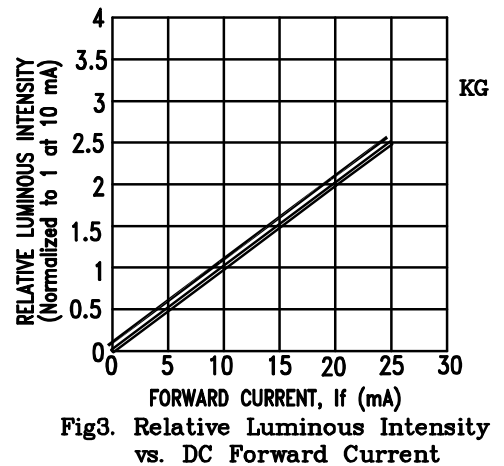
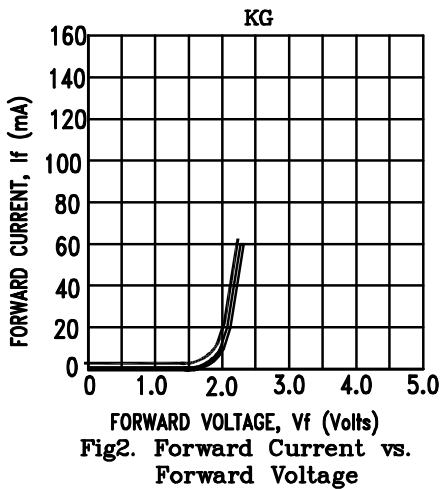
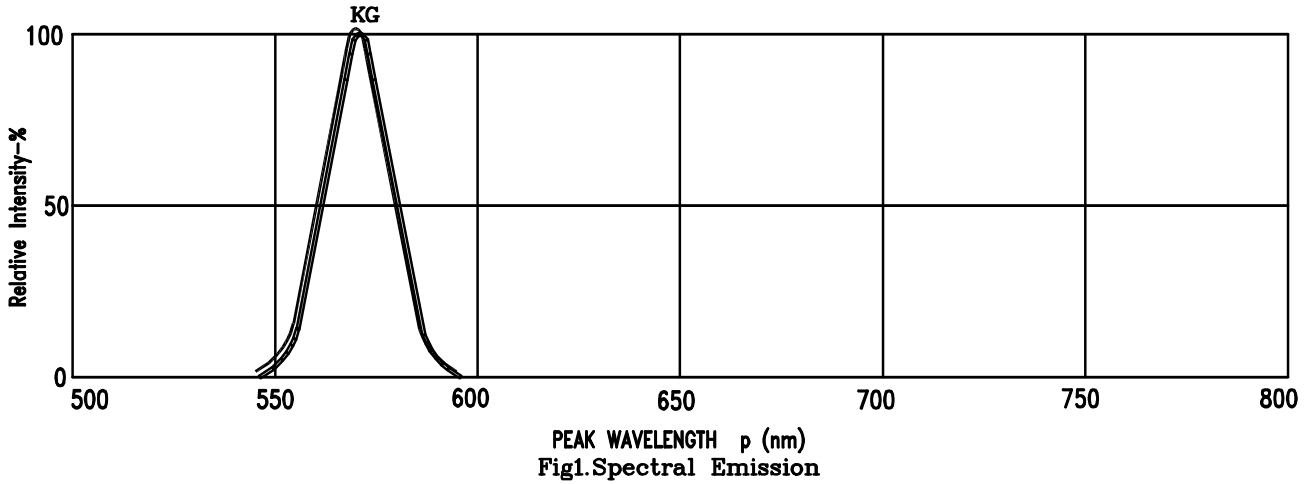
PARAMETER	SYMBOL	MIN.	TYP.	MAX.	UNIT	TEST CONDITION
Average Luminous Intensity	I _v	320	900		μcd	I _F =1mA
Peak Emission Wavelength	λ _p		571		nm	I _F =20mA
Spectral Line Half-Width	Δλ		15		nm	I _F =20mA
Dominant Wavelength	λ _d		572		nm	I _F =20mA
Forward Voltage Per Segment	V _F		2.05	2.6	V	I _F =20mA
Reverse Current Per Segment	I _R			100	μA	V _R =5V
Luminous Intensity Matching Ratio (Similar Light Area)	I _{v-m}			2:1		I _F =1mA

NOTES:

1. Luminous intensity is measured with a light sensor and filter combination that approximates the CIE (Commision Internationale De L'Eclairage) eye-response curve.
2. Cross talk specification \cong 2.5%
3. Reverse voltage is only for IR test. It cannot continue to operate at this situation.

TYPICAL ELECTRICAL / OPTICAL CHARACTERISTIC CURVES

(25°C Ambient Temperature Unless Otherwise Noted)



NOTE : KG=AlInGaP Green