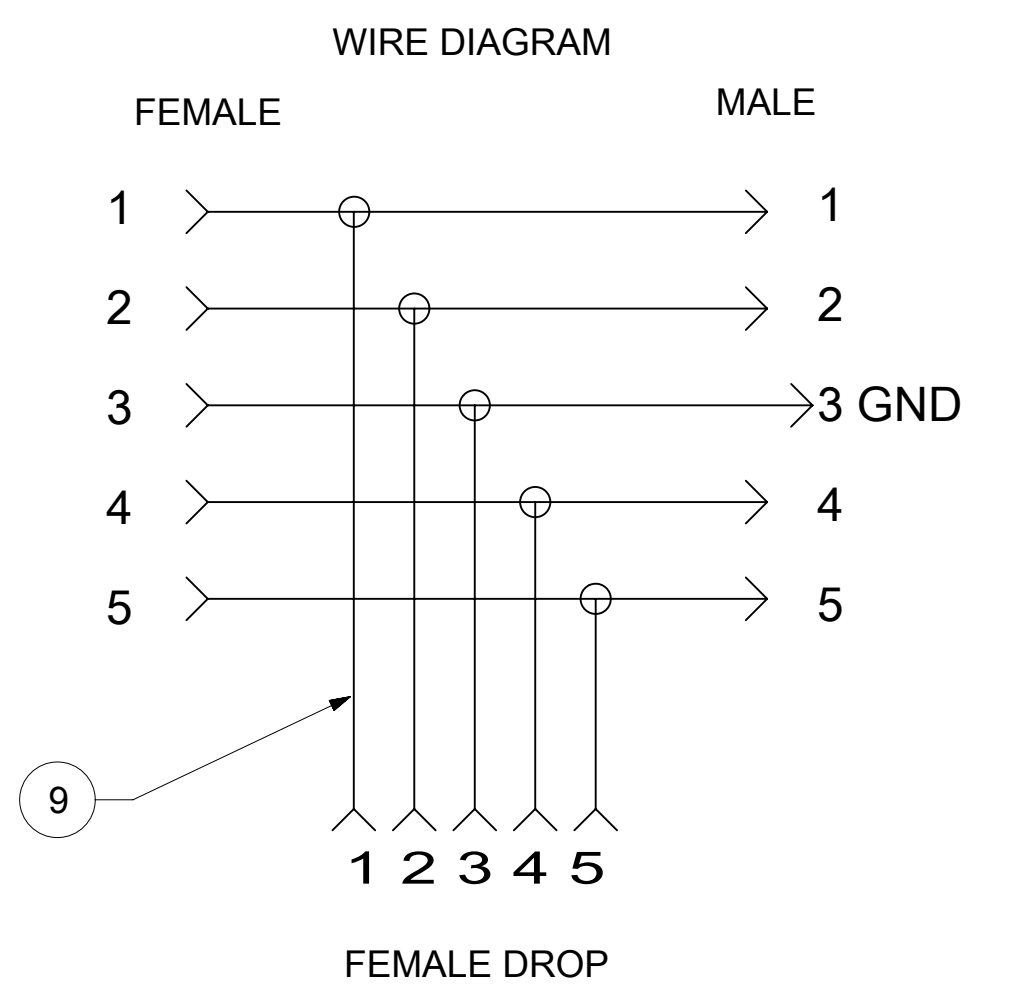
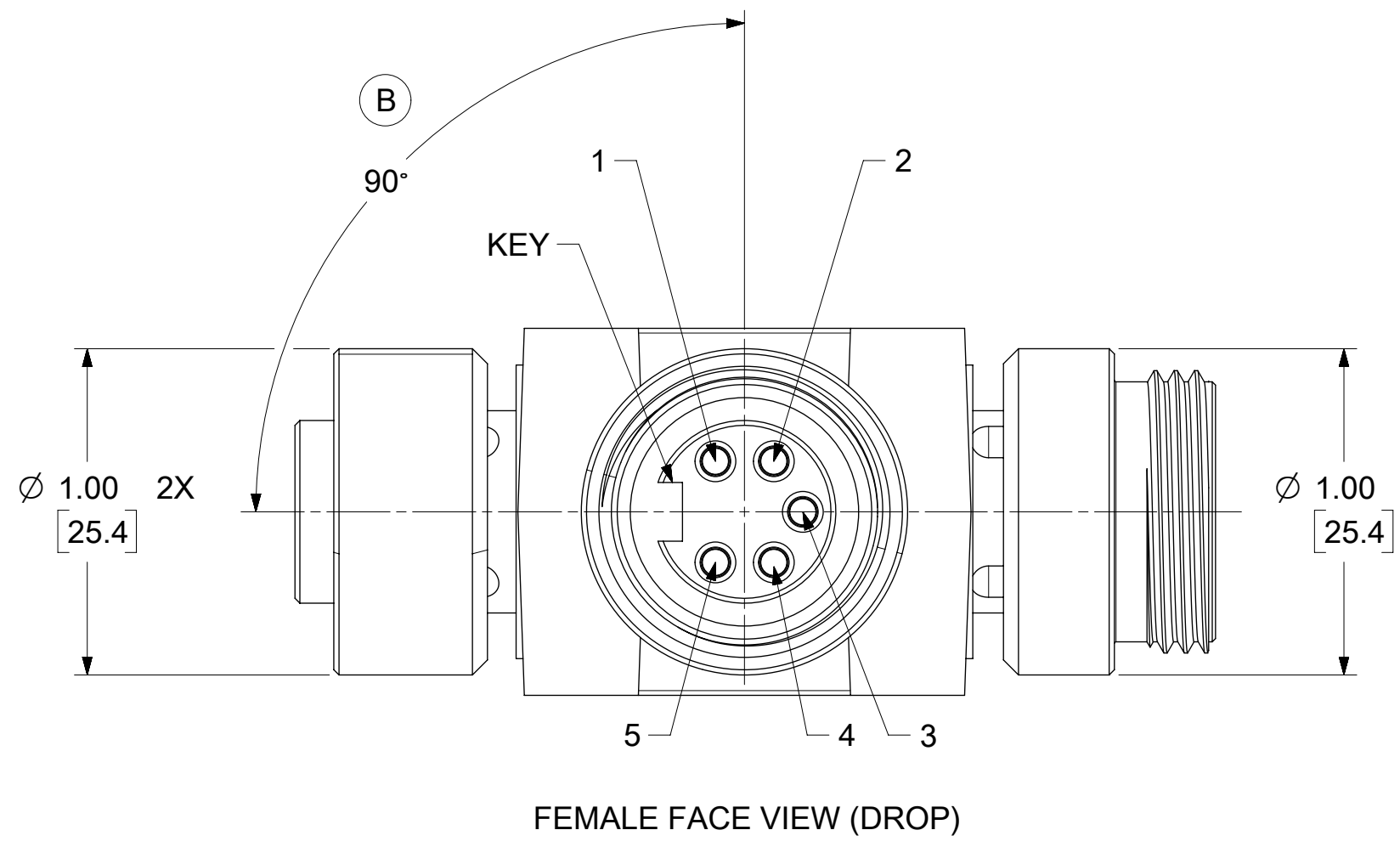
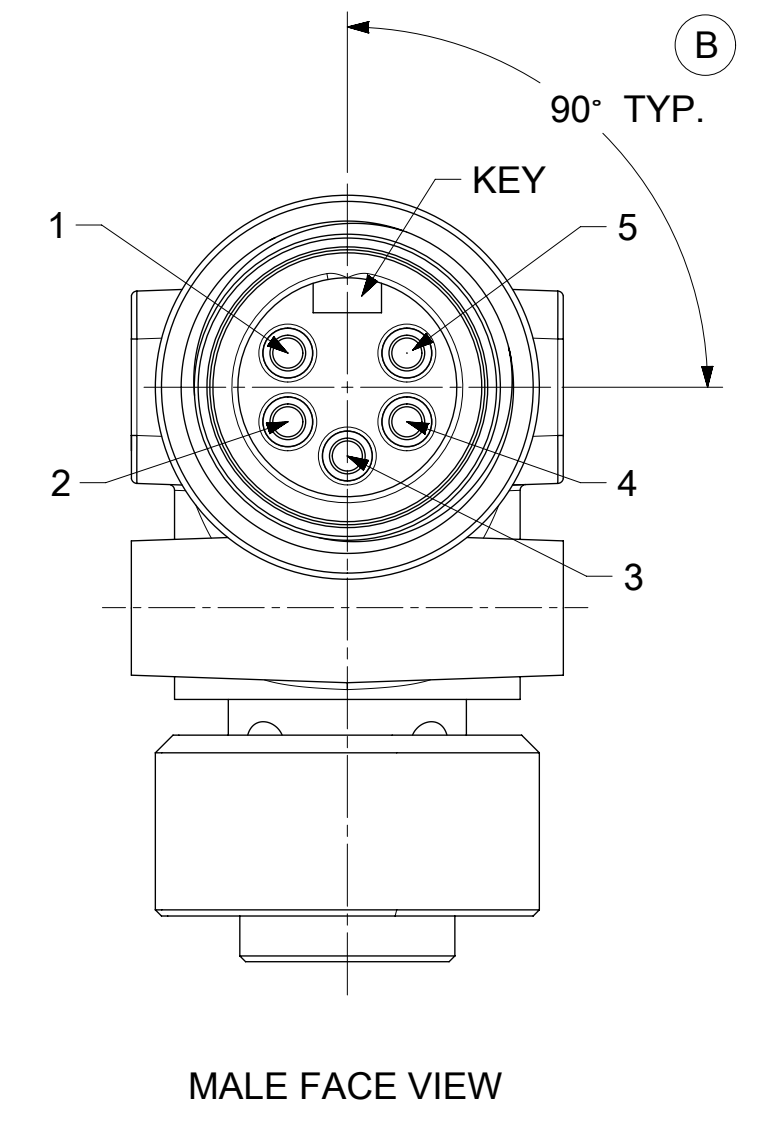
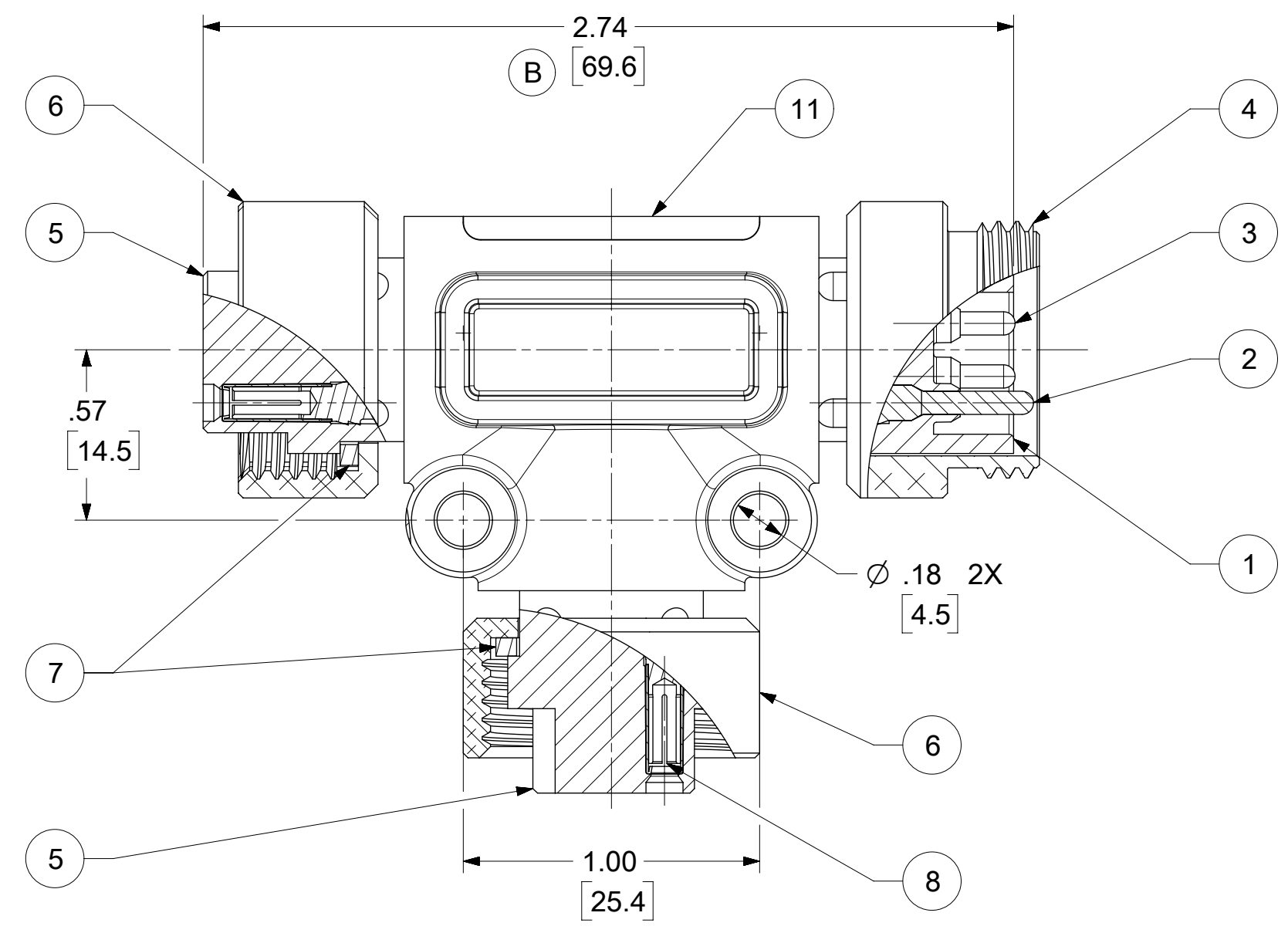
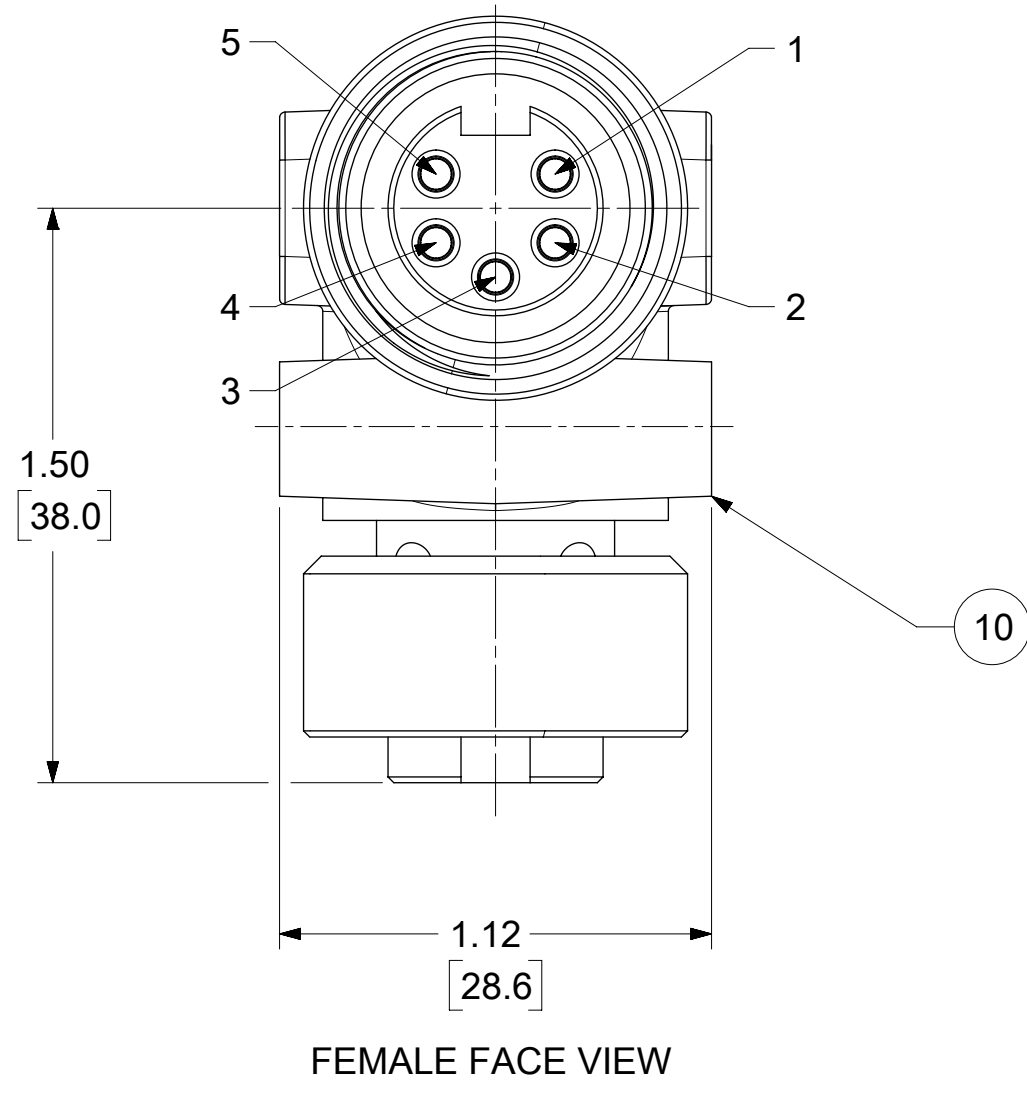


PART NO.	ENG. NO.
848569104	NMEA-DN3020NB



ENG. NO.
YYMMDD
300V, 5.6A

(B) LABEL DETAIL (11)

11	ID LABEL	POLYPROPYLENE	CLEAR
10	OVERMOLD	TPE	GRAY
9	WIRE, 18AWG (UL1015)	PCV	
8	CONTACT SOCKET, DROP	Cu ALLOY	GOLD PLATED
7	FRICTION RING	NYLON	WHITE
6	FEMALE COUPLING	BRASS	NICKEL PLATE
5	FEMALE INSERT, 5P	TPE	BLACK
4	MALE COUPLING	BRASS	NICKEL PLATE
3	CONTACT PIN/SOCKET SIGNAL	Cu ALLOY	GOLD PLATED
2	CONTACT PIN/SOCKET GROUND	Cu ALLOY	GOLD PLATED
1	MALE INSERT, 5P	TPE	BLACK
ITEM	DESCRIPTION	MATERIAL	FINISH

NOTES:
 1. MATERIAL: AS NOTED
 2. FINISH: AS NOTED
 3. ELECTRICAL:
 VOLTAGE; 300V, 5.6A (B)
 CURRENT: 2A
 4. TEMP RATING: -20°TO +80°C
 5. PROTECTION: IP67 (WHEN MATED)
 6. COUPLING THREAD: 7/8-16 UN
 7. ALL DIMS ARE FOR REFERENCE UNLESS TOLERANCED OR NOTED OTHERWISE

FUNCTIONAL SYMBOLS FA = 0 FC = 0 FP = 0	THIS DRAWING CONTAINS INFORMATION THAT IS PROPRIETARY TO MOLEX ELECTRONIC TECHNOLOGIES, LLC AND SHOULD NOT BE USED WITHOUT WRITTEN PERMISSION		CURRENT REV DESC: REDRAWN TO NX, LABEL DETAIL, UPDATE NOTES, INSERTS WERE GRAY	
	DIMENSION UNITS	SCALE		
	IN/MM	2:1		
	GENERAL TOLERANCES (UNLESS SPECIFIED)			
DIVISIONAL SYMBOLS	4 PLACES	MM	INCH	
	3 PLACES	±	±	
	2 PLACES	±	±	
	1 PLACE	±	±	
	0 PLACES	±	±	
	ANGULAR TOL	±	°	
DRAFT WHERE APPLICABLE MUST REMAIN WITHIN DIMENSIONS		THIRD ANGLE PROJECTION		DRAWING SERIES
		C-SIZE		84856
		MATERIAL NUMBER		CUSTOMER
		SEE P/N CHART		GENERAL MARKET
		DOCUMENT NUMBER		DOC TYPE DOC PART REVISION
		SD-84856-013		PSD 001 B
		SHEET NUMBER		1 OF 1