

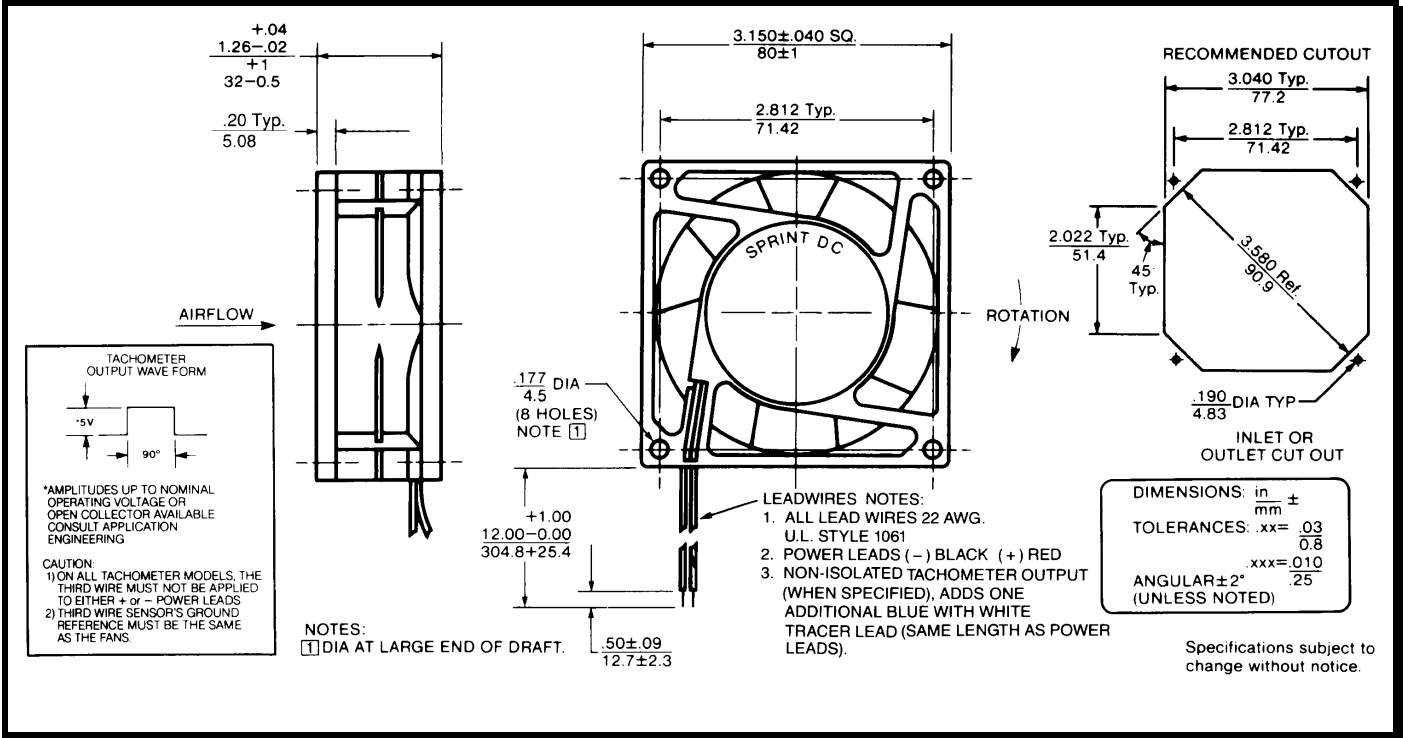
SPECIFICATIONS



Model Number: ST12K7
Part Number: 19031530A

May 16, 2002

Mechanical Drawing:



Motor:

Nominal Voltage = 12 vdc
 Operating Voltage Range = 6 - 14 vdc
 Nominal Running Current = 0.380 amps
 Max. Locked Rotor Current = 1.250 amps
 Running Power = 4.6 watts
 Average Speed = 4200 RPM
 Bearings = Ball
 Air Flow = 40.0 CFM
 Noise Level = 44.2 dB(A)

Construction:

Venturi: Plastic, Black, UL 94V-0
 Propeller: Plastic, Black, UL 94V-0

Agency Approvals:

UL, CE

Life Expectancy:

This fan is designed for continuous duty life of 78,000 hours at 40°C.

Additional Features:

Brushless DC Motor
 Locked Rotor Protection
 Polarity Protected
 Automatic Restart Capability
 Operating Temperature: -10°C to 70°C
 Storage Temperature: -40°C to 85°C

Tachometer

Output: 5V TTL compatible
 I_c: 5 mA Typical
 Pulses per Revolution: 2
 Isolated: No

Termination:

12" Lead wires, 22 AWG, UL 1061
 Red = Power (+)
 Black = Return (-)
 Blue/White = Tachometer (Output)