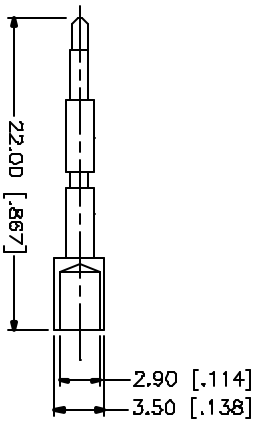
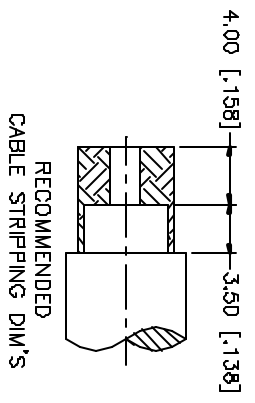
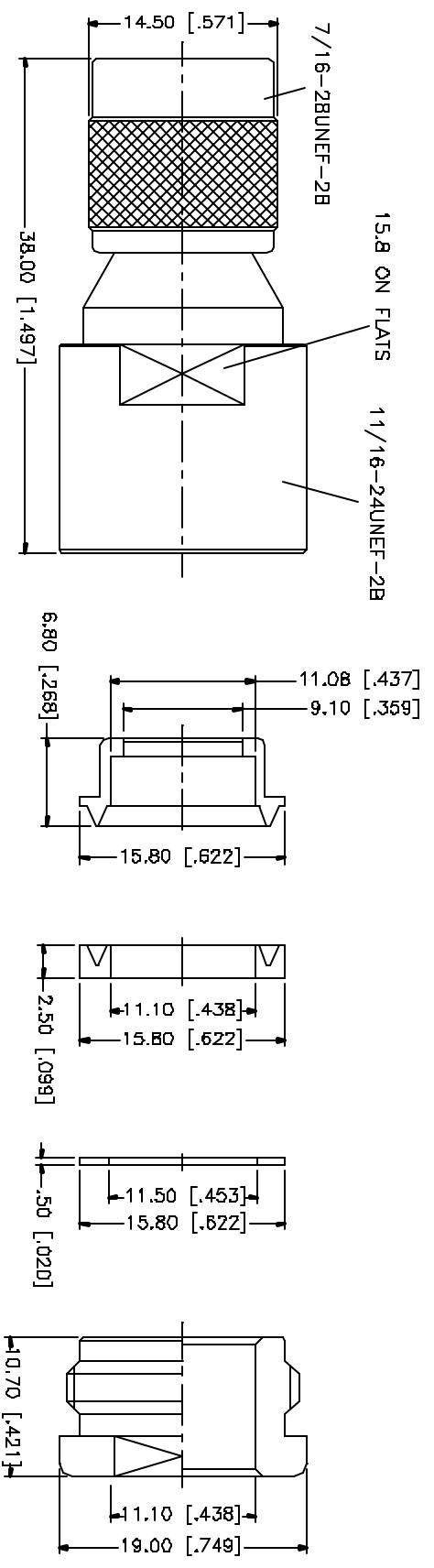


REV.	DATE	DESCRIPTION
A	03/20/05	UPDATE DRAWING FORMAT



QTY	FINISH	MATERIAL	DESCRIPTION
1	NICKEL	BRASS	NUT
1	NICKEL	BRASS	WASHER
1	RED	SILKCOVE	GASKET
1	NICKEL	BRASS	BRAD CLAMP
1	GOLD	BRASS	CONTACT PIN
1	NATURAL	TEFLON	INSULATOR
1	NICKEL	BRASS	BODY

APPROVALS	DATE
DRAWN G.R.S.	03/20/05
CHECKED	
ISSUED	
SHEET 1 OF 1	

DO NOT SCALE DRAWING	UNIT OF MEASURE	UNIT OF MEASURE
INCHES	MILLIMETERS	MILLIMETERS
0.125	3.175	0.001
0.250	6.350	0.002
0.375	9.525	0.003
0.500	12.700	0.005
0.625	15.875	0.006
0.750	19.050	0.008
1.000	25.400	0.010
1.250	31.750	0.013
1.500	38.100	0.015
2.000	50.800	0.020
2.500	63.500	0.025
3.000	76.200	0.030
4.000	101.600	0.040
5.000	127.000	0.050
6.000	152.400	0.060
8.000	203.200	0.080
10.000	254.000	0.100

APPROVALS	DATE
DRAWN G.R.S.	03/20/05
CHECKED	
ISSUED	
SHEET 1 OF 1	

PART NO.	DESCRIPTION
122397	TNC CLAMP PLUG (FOR BELDEN 9913 CABLE)

DWG. NO.	REV. A	SIZE A	SCALE NA
122397.DWG	A	A	NA

Amphenol Connex