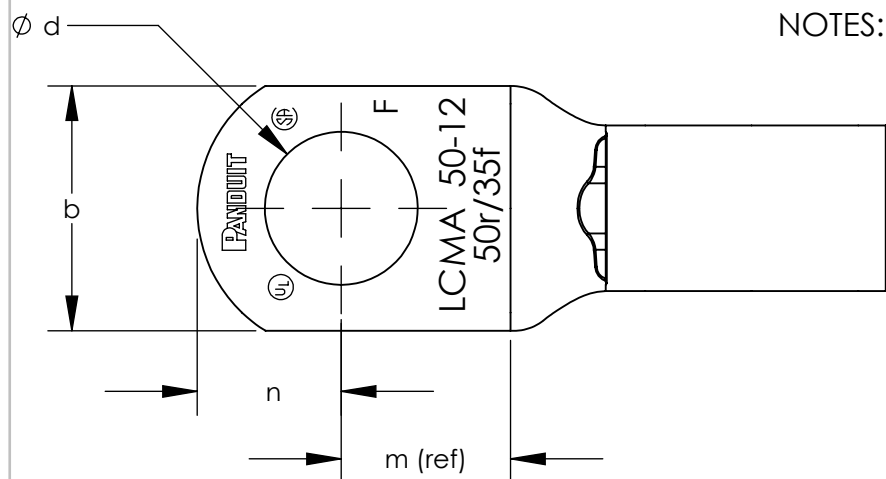


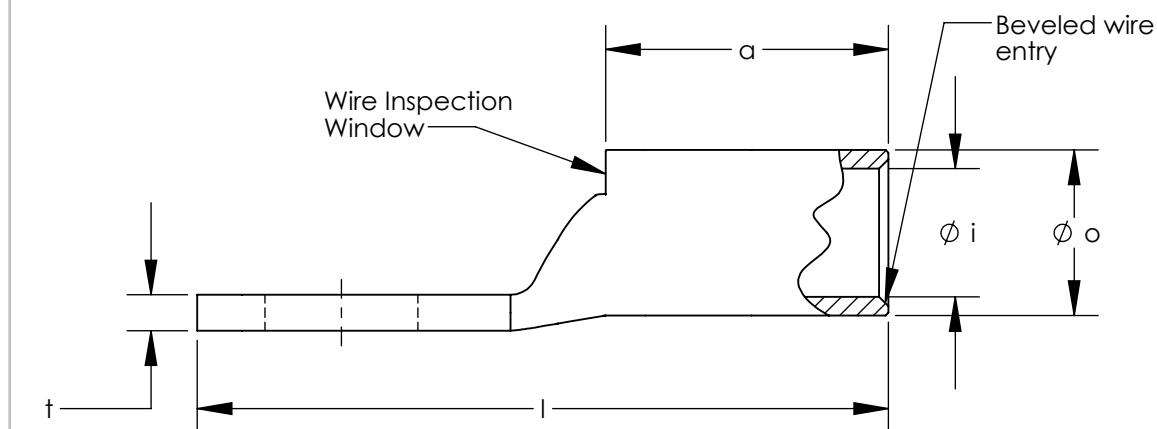
ALL DIMENSIONS IN mm

Part Number	Class 2r Wire Size	Class 5f & 6f Wire Size	Stud Size	Wire Strip Length	Panduit Die Index No. For Class 2r Wire Circumferential Dies	Panduit Die Index No. For Class 5f & 6f Wire Circumferential Dies	Panduit Die Index No. For Class 5f & 6f Wire Nest/Indentor Dies	l±2.76	o±.50	i±.50	a±2.25	m (ref)	n±2.25	d±.50	b±2.25	t ± .70
LCMA35-6-C	35mm	25mm	M6	19.0	P29	P29	P42/2	42.0	10.40	8.20	17.5	12.3	8.5	6.60	15.5	2.05
LCMA35-8-C	35mm	25mm	M8	19.0	P29	P29	P42/2	42.0	10.40	8.20	17.5	12.3	8.5	9.00	15.5	2.05
LCMA35-10-C	35mm	25mm	M10	19.0	P29	P29	P42/2	42.0	10.40	8.20	17.5	12.3	8.5	11.00	15.5	2.05
LCMA35-12-C	35mm	25mm	M12	19.0	P29	P29	P42/2	48.0	10.40	8.20	17.5	14.5	11.5	14.00	21.5	1.50
LCMA50-6-L	50mm	35mm	M6	21.8	P37	P33	P50/2	46.5	12.30	9.80	20.3	11.5	10.0	6.60	18.0	2.50
LCMA50-8-L	50mm	35mm	M8	21.8	P37	P33	P50/2	46.5	12.30	9.80	20.3	11.5	10.0	9.00	18.0	2.50
LCMA50-10-L	50mm	35mm	M10	21.8	P37	P33	P50/2	46.5	12.30	9.80	20.3	11.5	10.0	11.00	18.0	2.50
LCMA50-12-L	50mm	35mm	M12	21.8	P37	P33	P50/2	50.0	12.30	9.80	20.3	14.0	11.0	14.00	23.0	1.80
LCMA70-6-L	70mm	50mm	M6	24.8	P45	P37	P50/2	53.5	14.20	11.50	23.3	14.5	11.5	6.60	20.8	2.85
LCMA70-8-L	70mm	50mm	M8	24.8	P45	P37	P50/2	53.5	14.20	11.50	23.3	14.5	11.5	9.00	20.8	2.85
LCMA70-10-L	70mm	50mm	M10	24.8	P45	P37	P50/2	53.5	14.20	11.50	23.3	14.5	11.5	11.00	20.8	2.85
LCMA70-12-L	70mm	50mm	M12	24.8	P45	P37	P50/2	53.5	14.20	11.50	23.3	14.5	11.5	14.00	20.8	2.80
LCMA95-6-L	95mm	70mm	M6	26.0	P54	P45	P62/4	60.5	16.50	13.50	24.5	15.0	13.5	6.60	24.5	3.05
LCMA95-8-L	95mm	70mm	M8	26.0	P54	P45	P62/4	60.5	16.50	13.50	24.5	15.0	13.5	9.00	24.5	3.05
LCMA95-10-L	95mm	70mm	M10	26.0	P54	P45	P62/4	60.5	16.50	13.50	24.5	15.0	13.5	11.00	24.5	3.05
LCMA95-12-L	95mm	70mm	M12	26.0	P54	P45	P62/4	60.5	16.50	13.50	24.5	15.0	13.5	14.00	24.5	3.00
LCMA95-16-L	95mm	70mm	M16	26.0	P54	P45	P62/4	60.5	16.50	13.50	24.5	15.0	13.5	18.00	24.5	2.90
LCMA120-8-L	120mm	95mm	M8	26.0	P62	P50	P76/4	65.0	18.60	15.20	24.5	15.5	14.5	9.00	27.5	3.50
LCMA120-10-L	120mm	95mm	M10	26.0	P62	P50	P76/4	65.0	18.60	15.20	24.5	15.5	14.5	11.00	27.5	3.50
LCMA120-12-L	120mm	95mm	M12	26.0	P62	P50	P76/4	65.0	18.60	15.20	24.5	15.5	14.5	14.00	27.5	3.50
LCMA120-14-L	120mm	95mm	M14	26.0	P62	P50	P76/4	65.0	18.60	15.20	24.5	15.5	14.5	16.00	27.5	3.50
LCMA120-16-L	120mm	95mm	M16	26.0	P62	P50	P76/4	65.0	18.60	15.20	24.5	15.5	14.5	18.00	27.5	3.40
LCMA150-8-X	150mm	120mm	M8	29.0	P66	---	P76/4	70.5	21.00	16.50	27.5	18.0	16.5	9.00	30.5	4.45
LCMA150-10-X	150mm	120mm	M10	29.0	P66	---	P76/4	70.5	21.00	16.50	27.5	18.0	16.5	11.00	30.5	4.45
LCMA150-12-X	150mm	120mm	M12	29.0	P66	---	P76/4	70.5	21.00	16.50	27.5	18.0	16.5	14.00	30.5	4.45
LCMA150-16-X	150mm	120mm	M16	29.0	P66	---	P76/4	70.5	21.00	16.50	27.5	18.0	16.5	18.00	30.5	4.30
LCMA150-20-X	150mm	120mm	M20	29.0	P66	---	P76/4	74.0	21.00	16.50	27.5	22.0	16.5	22.00	30.5	4.30

*cULus LISTED WIRE CONNECTOR



- NOTES:
1. Material: High conductivity seamless copper tube.
 2. Plating: Parts are annealed and tin plated.
 3. Wire Type: Class 2r, 5f & 6f Stranded Copper per DIN VDE 0295, IEC 60228 and HD 383.
 4. UL Listed Wire Connector: Yes, for applications up to 35kv. Consult cable manufacturer for voltage stress relief instructions with applications greater than 2000 volts.
 5. UL Temperature Rating: 90° C
 6. C.S.A. Certified Wire Connector: Yes
 7. Parts are CE and tested per EN 61238-1:2003/IEC 61238-1:2003 Class B, with Class 2r wire 35mm² - 150mm².



REV	DATE	BY	CHK	APR	DESCRIPTION	ECN
03	2/17	JHNU	JHNU	RGB	REVISED TONGUE THICKNESS DIMENSION	13J059BF-JC
02	11/16	JHNU	JHNU	RGB	ADDED LCMA120-14-L	13J059BF-JC
01	7/15	JHNU	TLCO	RGB	ADDED LCMA95-6-L	13J059BF-JC
00	6/14	JHNU	TLCO	RGB	DRAWING RELEASED	13J059BF-JC

TITLE METRIC LUGS - LCMA ONE HOLE SERIES 35-150mm STANDARD BARREL CUSTOMER DRAWING	
ITEM REVISION NAME 12J059BF/03	PANDUIT
DATASET FILE NAME 12J059BF-JC/03.SLDDRW	
UNLESS OTHERWISE SPECIFIED, DIMENSIONAL TOLERANCES ARE: IN [mm]	
.X ±	.XXX ±
.XX ±	ANGLES ±
THIRD ANGLE PROJECTION	
DRAWN BY JHNU	DATE 6/14
CHK TLCO	SCALE NONE
DRAWING NUMBER 12J059BF-JC	
SHEET 1 OF 1	
SIZE B	