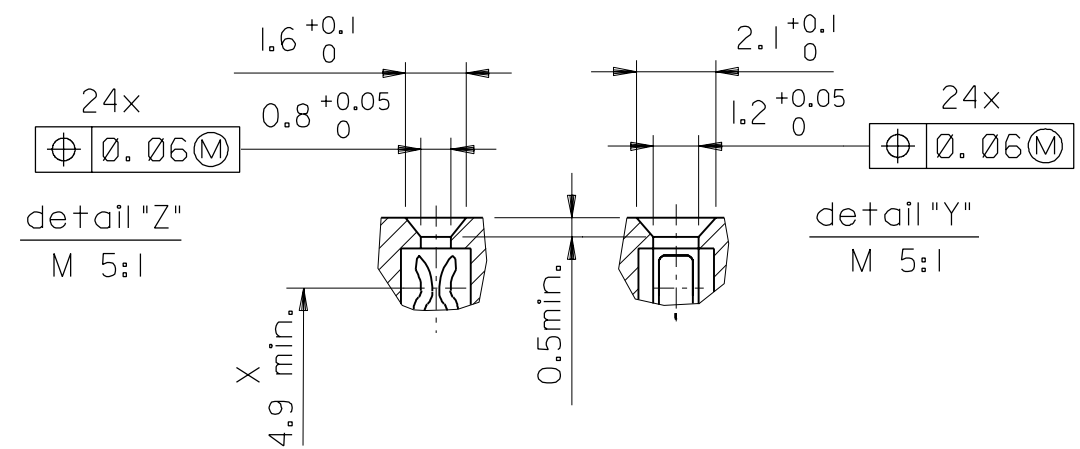


l) tails to fit in PC-board layout
PCB layout see SDA-85054-0001 sheet 2



FIRST ANGLE PROJECTION		REVISE ONLY ON CAD SYSTEM		SH.	REV.
UNLESS OTHERWISE SPECIFIED TOLERANCES: ANGULAR ±2° INCH METRIC	3 PLACE ±	±	CAD/CAM PROJECT NAME 85056000 s41	THIS DRAWING CONTAINS INFORMATION THAT IS PROPRIETARY TO MOLEX INC. & SHOULD NOT BE USED WITHOUT WRITTEN PERMISSION	
	2 PLACE ±	±		TITLE 24 pol. Federleiste 24 pos. female connector DIN 41612, style M inverted	
	1 PLACE ±	±		SHEET NO. DATE 1 OF 1 97/04/23	
DRAFT WHERE APPLICABLE MUST REMAIN WITHIN DIMENSIONS		DRWG BY KN	SIGN	PART NO. DWG NO. SIZE SD-85056-0004 B	
DESIGN DIMENSION <input checked="" type="checkbox"/> MM <input type="checkbox"/> IN.		CHK'D BY Ca	SIGN	SCALE 2:1	
EQUIVALENT DIMENSION <input type="checkbox"/> MM <input type="checkbox"/> IN.		APP'D BY JB	SIGN		
IF TWO DIMENSIONS ARE SHOWN THE UPPER IS THE DESIGN DIMENSION, LOWER IS SECONDARY					