



Single Port Low Profile 10G RJ45

ARLP11-4596I



- 10G Base-T for LAN and other Ethernet Applications
- Low Profile Design
- Industrial Operating Temp. Range: -40°C to +85°C

Electrical Specifications @ 25°C

OCL(μH Min) @100KHZ,0.1V With 8mA DC Bias	DCR (Ω Max)	Turns Ratio @100KHz, 0.1V (1:1±5%)				Insertion Loss (dB Max)		
						1-100MHz	100-250MHz	250-500MHz
160	2.0	P8-P9 : J1-J2	P3-P2 : J3-J6	P4-P5 : J4-J5	P11-P10 : J7-J8	-1.0	-1.5	-3.0

Electrical Specifications @ 25°C

Return Loss (dB Min) (Line Side S11)				Return Loss (dB Min) (PHY Side S22)				Hi-Pot Input to Output 1mA, 60S 1500VAC
1-40MHz	40-100MHz	100-250MHz	250-500MHz	1-40MHz	40-100MHz	100-250MHz	250-500MHz	
-20	-16	-13	-8	-18	-14	-11	-6	

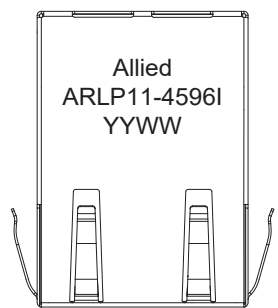
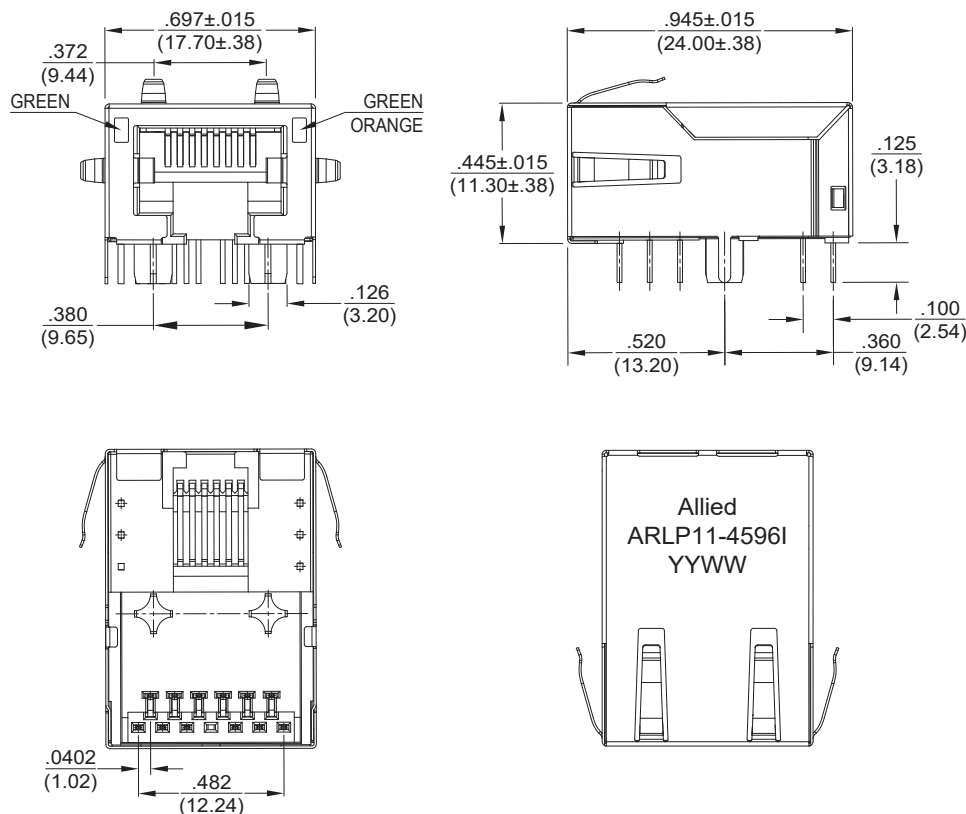
Electrical Specifications @ 25°C

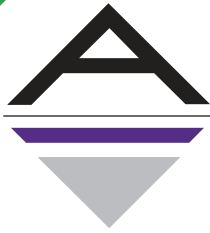
Cross Talk (dB Min)		CMRR (dB Min)			CDMR (dB Min)		
1-100MHz	100-500MHz	1-100MHz	100-250MHz	250-500MHz	1-100MHz	100-250MHz	250-500MHz
-30	-22	-35	-30	-25	-35	-30	-22

All specifications subject to change without notice.

MECHANICAL

Dimensions:  $\frac{\text{inch}}{\text{mm}}$

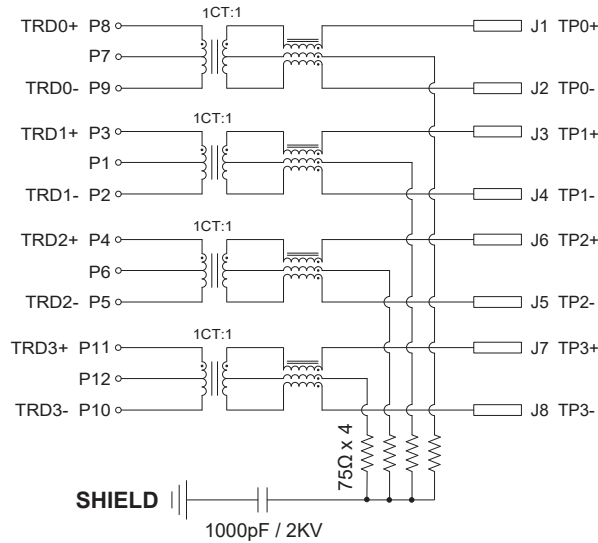




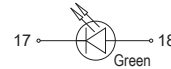
**SCHEMATIC**

**PHY SIDE**

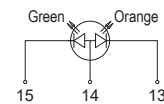
**LINE SIDE**



**Left LED**  
17- 18+ Green



**Right LED**  
15- 14+ Green  
13- 14+ Orange



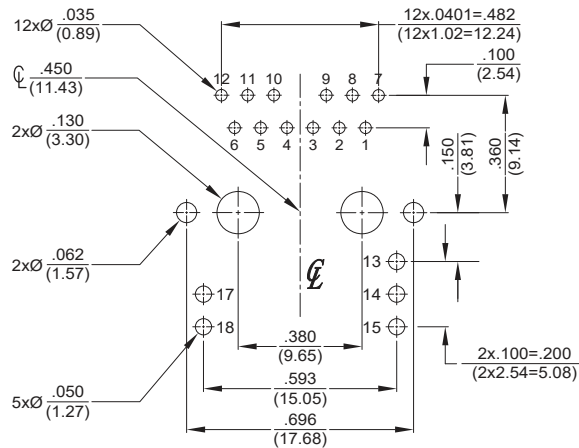
**LED Configuration**

Standard LED	Wavelength	Forward Voltage
Green	565nm	2.5V Max
Orange	615nm	2.5V Max

\*With forward current of 20mA

**PCB LAYOUT**

Dimensions:  $\frac{\text{inch}}{\text{mm}}$



**NOTES**

- Shield:** 0.20mm Thick Brass C2680H  
Plating Nickel 20μ" Min
- Housing:** Plastic: LCP, Glass Fiber Filled  
UL94V-0, Color Black
- Contact Pin:** Plastic: LCP, Glass Fiber Filled  
UL94V-0, Color Black  
Pin: 0.35mm Thick Phosphor Bronze C5210 EH  
Plating: Nickel 30μ"-60μ" for all and Sn 100%  
and Gold Plating 30μ"
- Insert Pin:** Plastic: High Temperature Plastics  
UL94V-0, Color Black  
Pin: 0.35mm Thick C2680  
Plating: Sn all over 30μ"-60μ" Nickel