



IR Emitter and Detector Product Data Sheet

LTE-3271B

Spec No.: DS50-2003-037

Effective Date: 01/29/2013

Revision: C

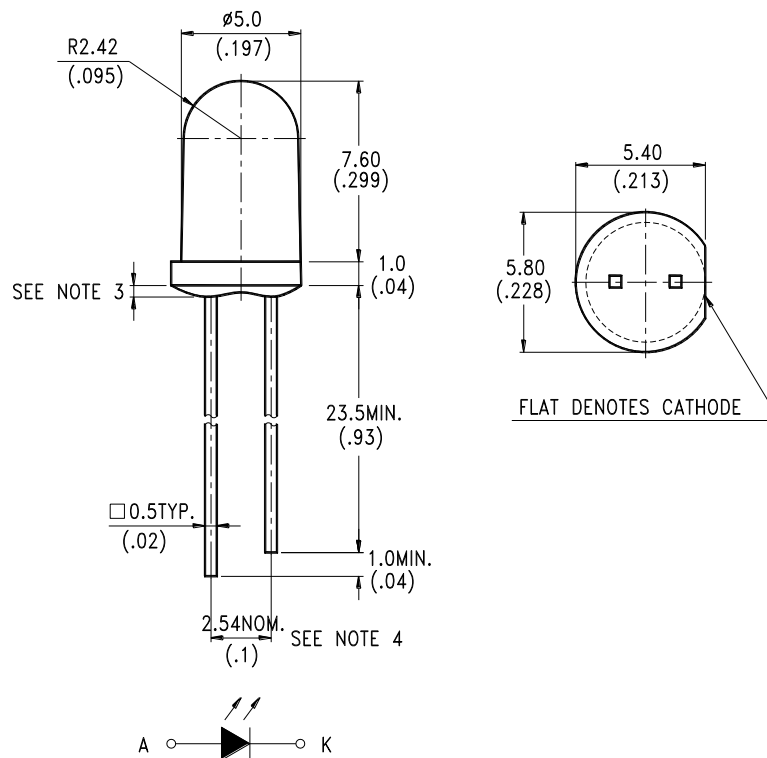
LITE-ON DCC

RELEASE

BNS-OD-FC001/A4

FEATURES

- * SPECIAL FOR HIGH CURRENT AND LOW FORWARD VOLTAGE
- * HIGH POWER
- * AVAILABLE FOR PULSE OPERATING
- * WIDE VIEWING ANGLE

PACKAGE DIMENSIONS**NOTES:**

1. All dimensions are in millimeters (inches).
2. Tolerance is $\pm 0.25\text{mm}$ (.010") unless otherwise noted.
3. Protruded resin under flange is 1.5mm (.059") max.
4. Lead spacing is measured where the leads emerge from the package.
5. Specifications are subject to change without notice.



LITE-ON TECHNOLOGY CORPORATION

Property of Lite-On Only

ABSOLUTE MAXIMUM RATINGS AT TA=25°C

PARAMETER	MAXIMUM RATING	UNIT
Power Dissipation	150	mW
Peak Forward Current (300pps, 10 μs pulse)	2	A
Continuous Forward Current	100	mA
Reverse Voltage	5	V
Operating Temperature Range	-40°C to + 85°C	
Storage Temperature Range	-55°C to + 100°C	
Lead Soldering Temperature [1.6mm(.063") From Body]	260°C for 5 Seconds	

ELECTRICAL OPTICAL CHARACTERISTICS AT TA=25°C

PARAMETER	SYMBOL	MIN.	TYP.	MAX.	UNIT	TEST CONDITION	BIN GRADE
Aperture Radiant Incidence	Ee	0.8		1.51	mW/cm ²	IF = 20mA	BIN A
		1.01		1.66			BIN B
		1.10		2.08			BIN C
		1.38		2.47			BIN D
		1.65		--			BIN E
Radiant Intensity	IE	6		11.32	mW/sr	IF = 20mA	BIN A
		7.57		12.45			BIN B
		8.25		15.6			BIN C
		10.35		18.52			BIN D
		12.37		--			BIN E
Peak Emission Wavelength	λP		940		nm	IF = 20mA	
Spectral Line Half-Width	Δλ		50		nm	IF = 20mA	
Forward Voltage	VF		1.25	1.6	V	IF = 50mA	
Forward Voltage	VF		1.85	2.3	V	IF = 500mA	
Reverse Current	IR			100	μA	VR = 5V	
Viewing Angle (See FIG.6)	2θ1/2		50		deg.		

TYPICAL ELECTRICAL / OPTICAL CHARACTERISTICS CURVES

(25°C Ambient Temperature Unless Otherwise Noted)

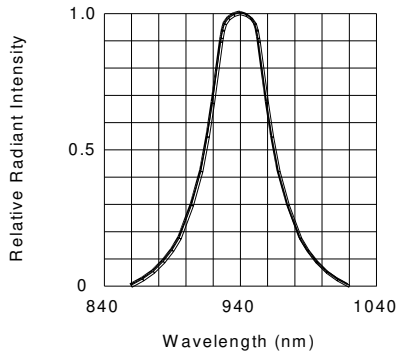


FIG.1 SPECTRAL DISTRIBUTION

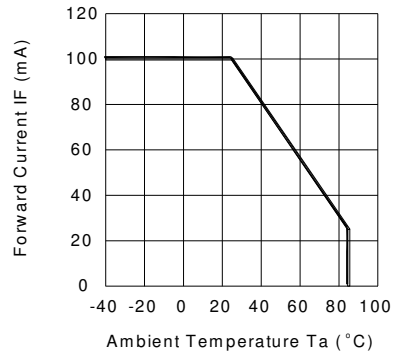


FIG.2 FORWARD CURRENT VS. AMBIENT TEMPERATURE

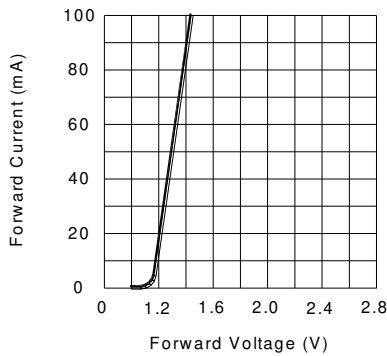


FIG.3 FORWARD CURRENT VS. FORWARD VOLTAGE

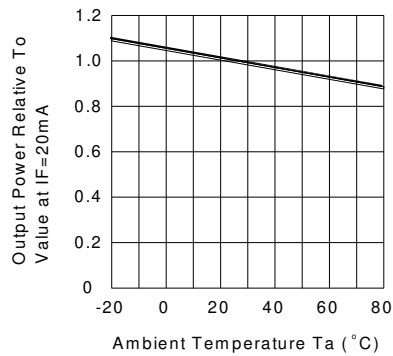


FIG.4 RELATIVE RADIANT INTENSITY VS. AMBIENT TEMPERATURE

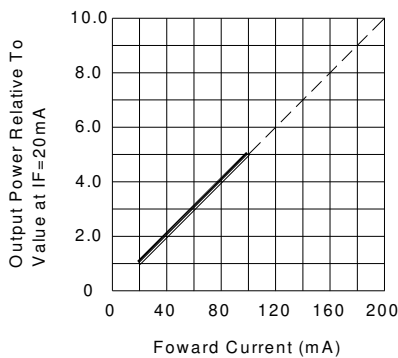


FIG.5 RELATIVE RADIANT INTENSITY VS. FORWARD CURRENT

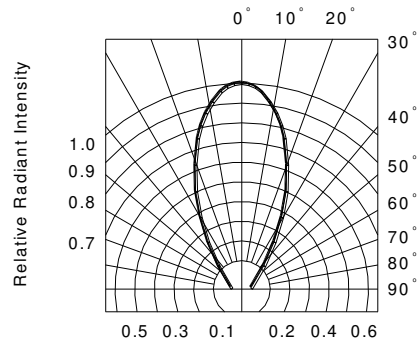


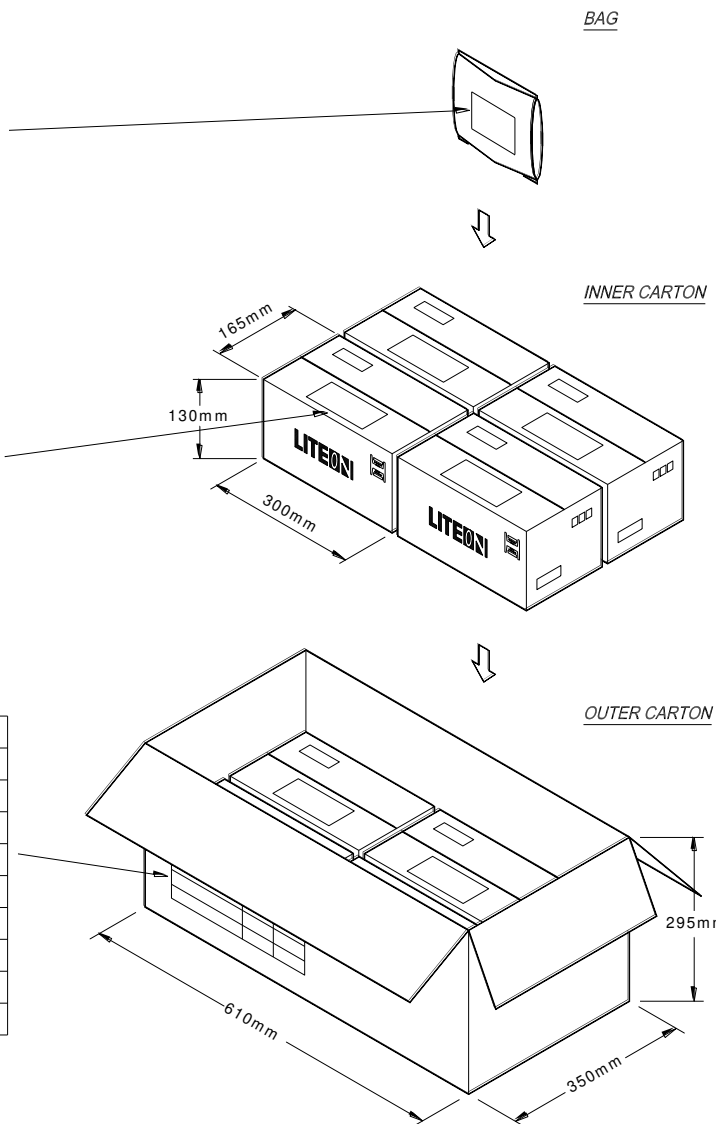
FIG.6 RADIATION DIAGRAM

PACKING

LITEON	
LITE-ON TECHNOLOGY CORP.	
CUSTOMER:	_____
DEVICE TYPE:	<u>LTE-3271B</u>
BIN GRADE:	_____
LOT NO.:	_____
Q'TY:	_____
RMK:	_____

CUSTOMER	_____
CUSTOMER P/N:	_____
DEVICE TYPE	_____
BIN	<u>LTE-3271B</u>
COLOR RANK	_____
QUANTITY	_____
Q. C STAMP	_____

DIVICE NO.	BIN	QUANTITY
<u>LTE-3271B</u>		
Q.C STAMP		



Bag volume (pcs / Bag)	Inner carton volume (Bag / carton)	Outer carton volume (Box / Carton)	Total volume (pcs/outer carton)
1000	8	8	64000