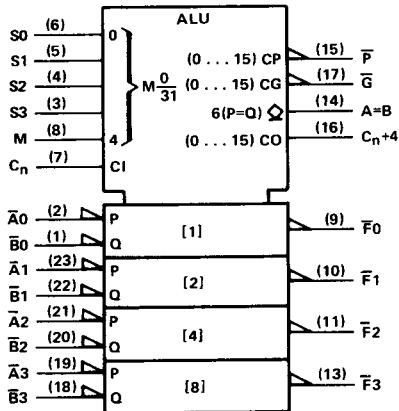


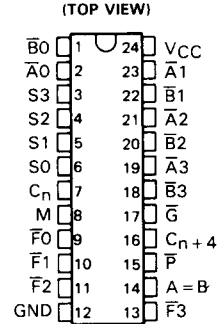
- Package Options Include Plastic "Small Outline" Packages, Both Plastic and Ceramic Chip Carriers, and Standard Plastic and Ceramic 300-mil DIPs
- Full Look-Ahead for High-Speed Operations on Long Words
- Arithmetic Operating Modes:
Addition
Subtraction
Shift Operand A One Position
Magnitude Comparison
Plus Twelve Other Arithmetic Operations
- Logic Function Modes
Exclusive-OR
Comparator
AND, NAND, OR, NOR
'AS881A Provides Status Register Checks
Plus Ten Other Logic Operations
- Dependable Texas Instruments Quality and Reliability

logic symbol†

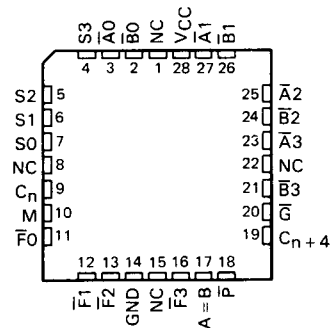


† This symbol is in accordance with ANSI/IEEE Std 91-1984 and IEC Publication 617-12.
Pin numbers are for DW, JT, and NT packages.

SN54AS181A . . . J OR JT PACKAGE
SN54AS881A . . . JT PACKAGE
SN74AS181A . . . N OR NT PACKAGE
SN74AS881A . . . DW OR NT PACKAGE



SN54AS181A, SN54AS881A . . . FK PACKAGE
SN74AS181A, SN74AS881A . . . FN PACKAGE



NC - No internal connection

For complete information on the SN54AS881A and the SN74AS881A, see page 2-187.

PRODUCT PREVIEW documents contain information on products in the formative or design phase of development. Characteristic data and other specifications are design goals. Texas Instruments reserves the right to change or discontinue these products without notice.



POST OFFICE BOX 655012 • DALLAS, TEXAS 75265

Copyright © 1982, Texas Instruments Incorporated