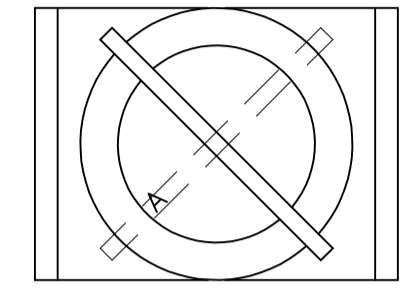
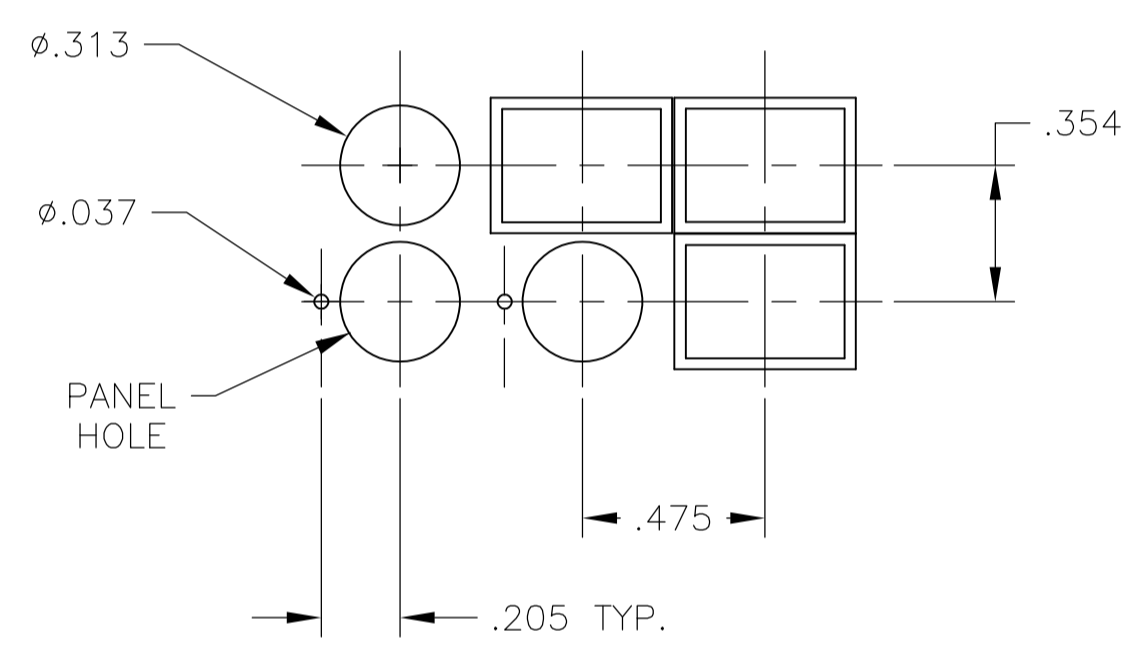


3 POSITION BEZEL ORIENTATION AS SHIPPED



2 POSITION BEZEL ORIENTATION AS SHIPPED



PANEL CUTOUT SCALE 1:1

SPECIFICATIONS:

CONTACT RATING: 0.4VA @ 20VDC OR PEAK AC.  
 5 AMPS @ 250VAC OR 24VDC (RESISTIVE)  
 INITIAL CONTACT RESISTANCE: 20 MILLIOHMS MAX  
 INSULATION RESISTANCE: 100 MEGOHMS MIN  
 DIELECTRIC STRENGTH: 1500 VOLTS RMS @ SEA LEVEL  
 CONTACTS: GOLD PLATE OVER SILVER CLAD  
 LIFE EXPECTANCY: 100,000 OPERATIONS AT RATED CURRENT  
 OPERATING TEMPERATURE RANGE: -20°C TO +50°C  
 PANEL THICKNESS: NON-OILTIGHT, .230 MAX  
 OILTIGHT, .210 MAX  
 UL RECOGNIZED E-51302

OILTIGHT MODELS MEET NEMA 1, 12, 13 REQUIREMENTS

BEZEL MAY BE ROTATED IN 45° INCREMENTS BY PULLING STRAIGHT BACK INTO THREADED SECTION, ROTATING, AND PUSHING BACK INTO POSITION

DIRECTION	3 POSITION (MAINTAINED & MOMENTARY)					
	UPPER		LOWER		LOWER	
←	1 2 3° 4	1 2 3° 4	1 2 3° 4	1 2 3° 4	1 2 3° 4	1 2 3° 4
↑	1 2 3° 4	1 2 3° 4	1 2 3° 4	1 2 3° 4	1 2 3° 4	1 2 3° 4
→	1 2 3° 4	1 2 3° 4	1 2 3° 4	1 2 3° 4	1 2 3° 4	1 2 3° 4

DIRECTION	2 POSITION (MAINTAINED & MOMENTARY)					
	UPPER	UPPER	LOWER	UPPER	CENTER	LOWER
↖	1 2 3° 4	1 2 3° 4	1 2 3° 4	1 2 3° 4	1 2 3° 4	1 2 3° 4
↗	1 2 3° 4	1 2 3° 4	1 2 3° 4	1 2 3° 4	1 2 3° 4	1 2 3° 4

STATUS	ACTION	CONTACTS	OILTIGHT	NON-OILTIGHT	OILTIGHT	NON-OILTIGHT
OBSOLETE	3 POSN MOMENTARY (RIGHT), KEY PULL (LEFT)	2 N.O. & N.C.	165J7A22	164J7A22	-	-
	3 POSN MAINTAINED, KEY PULL (CENTER)	3 N.O. & N.C.	165J3E33	164J3E33	-	-
	3 POSN MAINTAINED, KEY PULL (CENTER)	2 N.O. & N.C.	165J3E22	164J3E22	-	-
	3 POSN MAINTAINED, KEY PULL (RIGHT)	2 N.O. & N.C.	-	164J3D22	-	1-1437569-7
	3 POSN MAINTAINED, KEY PULL (ALL)	3 N.O. & N.C.	165J3C33	164J3C33	1977932-1	-
	3 POSN MAINTAINED, KEY PULL (ALL)	2 N.O. & N.C.	165J3C22	164J3C22	-	1-1437569-6
	3 POSN MAINTAINED, KEY PULL (LEFT)	3 N.O. & N.C.	165J3A33	164J3A33	-	1-1437569-5
	3 POSN MAINTAINED, KEY PULL (LEFT)	2 N.O. & N.C.	165J3A22	164J3A22	-	-
	2 POSN MAINTAINED, KEY PULL (BOTH)	3 N.O. & N.C.	165J2B33	164J2B33	-	-
	2 POSN MAINTAINED, KEY PULL (BOTH)	2 N.O. & N.C.	165J2B22	164J2B22	-	1-1437569-4
PRELIMINARY	2 POSN MAINTAINED, KEY PULL (BOTH)	1 N.O. & N.C.	165J2B11	164J2B11	1571637-1	1-1437569-3
	2 POSN MAINTAINED, KEY PULL (LEFT)	3 N.O. & N.C.	165J2A33	164J2A33	-	-
	2 POSN MAINTAINED, KEY PULL (LEFT)	2 N.O. & N.C.	165J2A22	164J2A22	-	1-1437569-2
	2 POSN MAINTAINED, KEY PULL (LEFT)	1 N.O. & N.C.	165J2A11	164J2A11	4-1437569-7	1-1437569-1
	2 POSN MAINTAINED, KEY PULL (LEFT)	-	-	164J2A	-	147519-1
	2 POSN MOMENTARY (RIGHT), KEY PULL (LEFT)	3 N.O. & N.C.	-	164J0A33	-	-
	2 POSN MOMENTARY (RIGHT), KEY PULL (LEFT)	2 N.O. & N.C.	-	164J0A22	-	1-1437569-0
	2 POSN MOMENTARY (RIGHT), KEY PULL (LEFT)	1 N.O. & N.C.	-	164J0A11	-	1437569-9
	2 POSN MOMENTARY (RIGHT), KEY PULL (LEFT)	-	-	164J0A	-	147518-1
	ACTION	CONTACTS	OILTIGHT	NON-OILTIGHT	OILTIGHT	NON-OILTIGHT

THIS DRAWING IS A CONTROLLED DOCUMENT.

DIMENSIONS: INCHES	TOLERANCES UNLESS OTHERWISE SPECIFIED:	DIN R BROWN 230CT03	APVD M ZITTO 230CT03	NAME	164/165 J SERIES KEYLOCK SWITCH
0 PLC ± -	1 PLC ± -	2 PLC ± -	3 PLC ± .010	4 PLC ± -	ANGLES ± 1°
MATERIAL	FINISH	WEIGHT	SIZE	CAGE CODE	DRAWING NO
-	-	-	A1	00779	1437569-8
CUSTOMER DRAWING		SCALE	2:1	SHEET	1 OF 1

STE TE Connectivity