

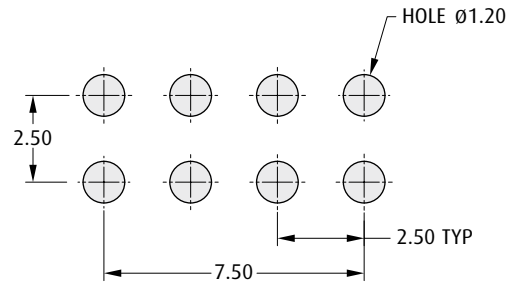
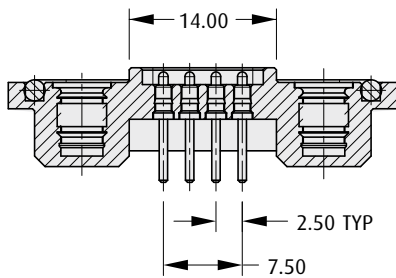
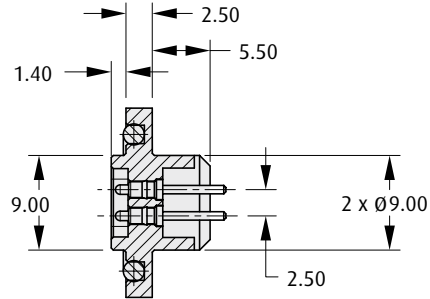
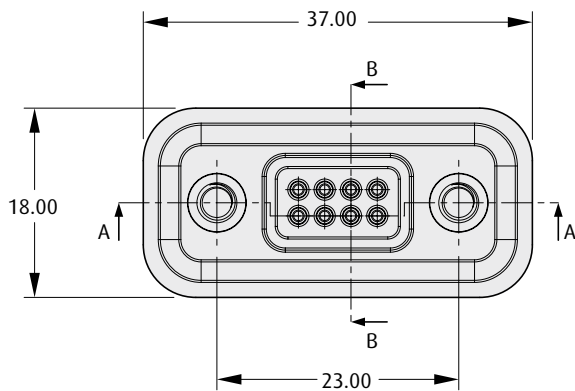
# M90 Connectors

## Female PC Tail Hot Shoe Connector



- ❖ Contact [technical@harwin.com](mailto:technical@harwin.com) for alternative contact configurations and designs.
- ❖ Spring probe design for maintaining a positive force against the mating connector – see page 124.

### SPRING PROBE ASSEMBLY



Recommended PC Board Pattern

### HOW TO ORDER

**M90 - 601 XX 45**

SERIES CODE

TYPE

FINISH

45

Gold



NO. OF WAYS PER ROW

08

[www.harwin.com](http://www.harwin.com)

All dimensions in mm.

