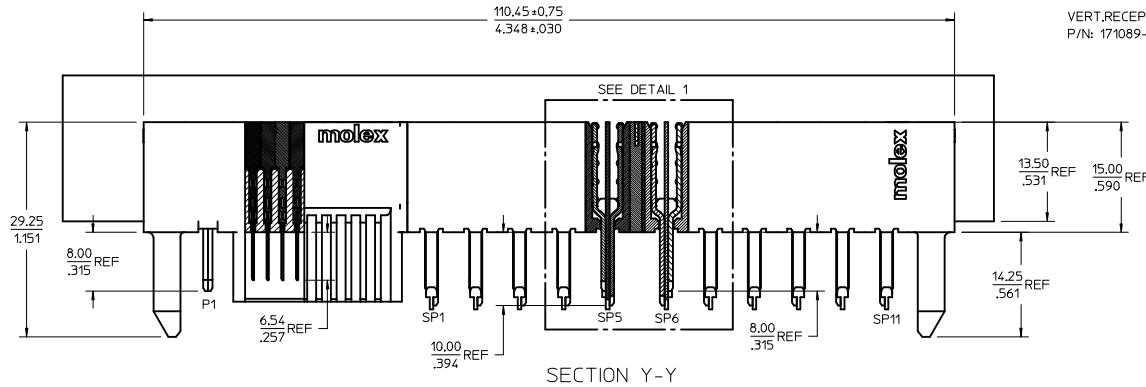
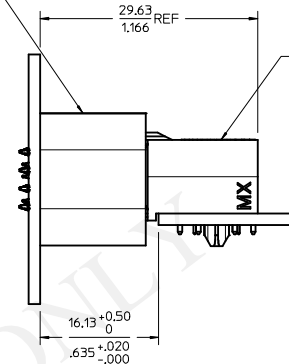


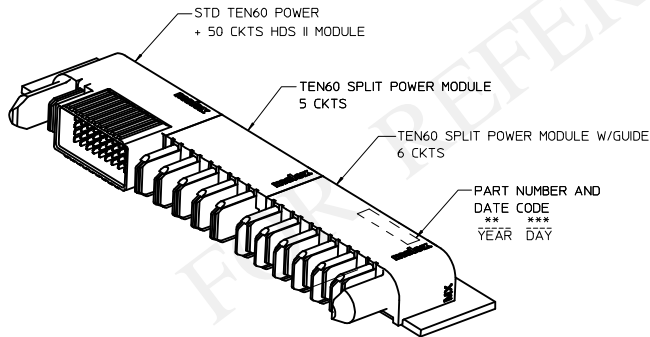
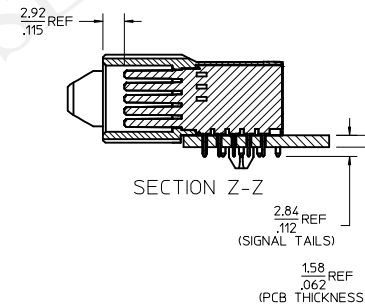
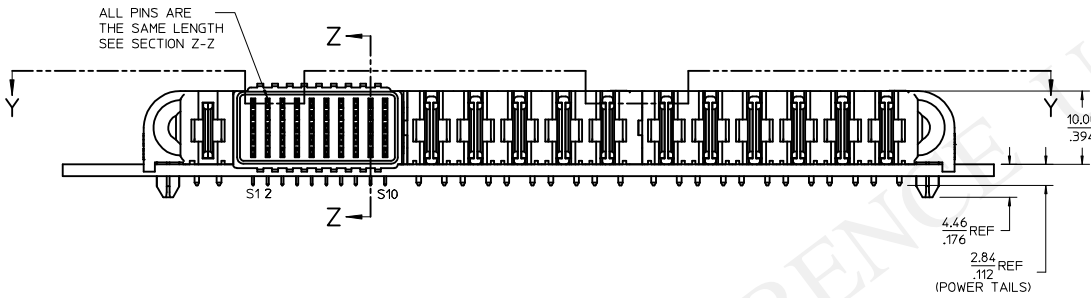
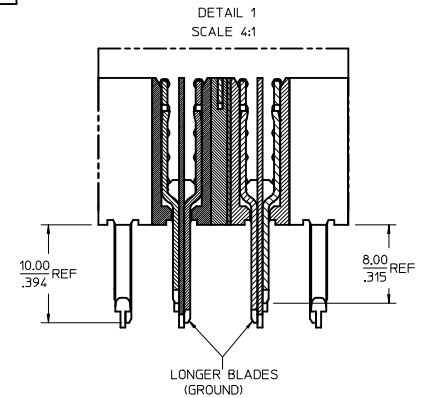
3D MODEL NO: TM-171088-0024



VERT.RECEPTACLE ASSY
P/N: 171089-0024

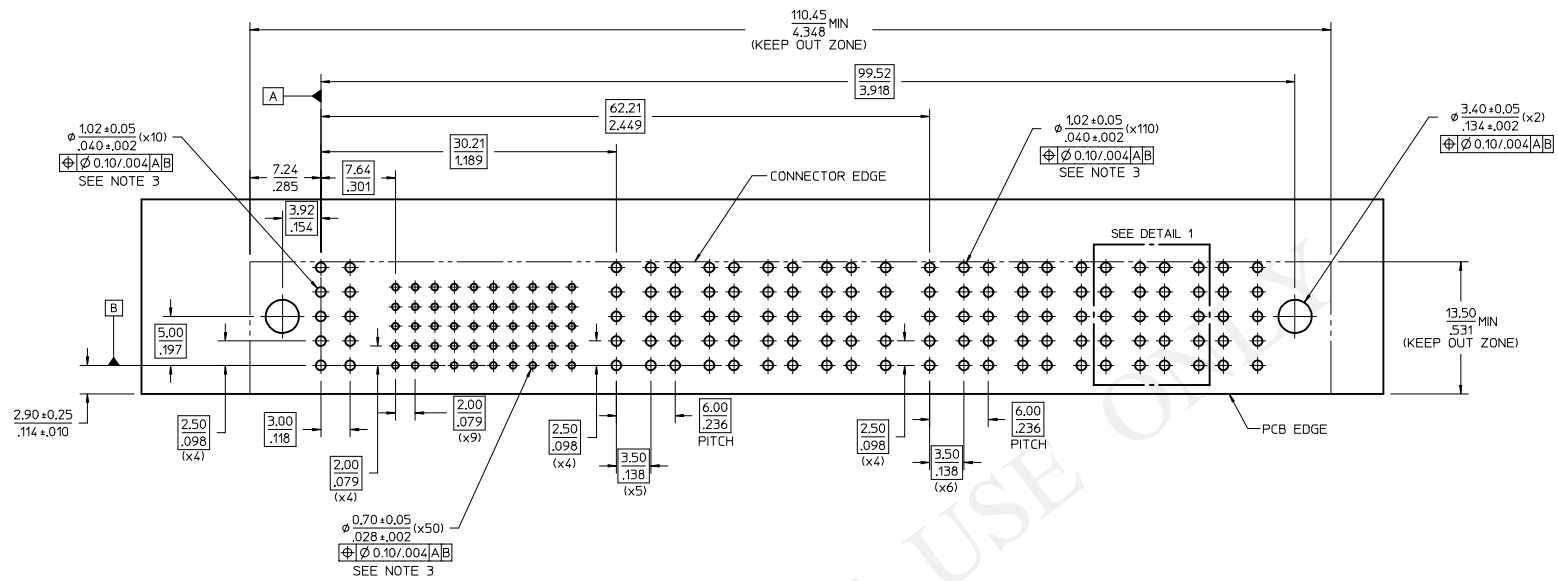


PLUG ASSY
P/N: 171088-0024

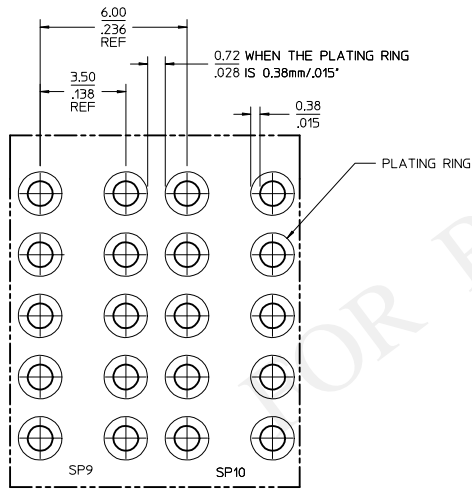


- NOTES:
- MATERIAL:
 - HOUSINGS: LCP UL94, V-0, COLOR : BLACK
 - TERMINALS: HIGH CONDUCTIVITY COPPER ALLOY
 - PLATING: 127 MICROMETER (1.50 MICRONINCH) NICKEL OVERALL WITH 2.54 MICROMETER (100 MICRONINCH) SELECTIVE TIN ON TAILS AND 0.762 MICROMETER (30 MICRONINCH) SELECTIVE GOLD ON CONTACT AREA
 - PACKAGING: ASSEMBLIES TO BE TRAY PACKED PER PACKAGING SPEC. TBD
 - PLATED THRU HOLE SIZE REFERS TO PS-171088-0000 FOR DETAILS
 - PRODUCT SPEC: PS-171088-0000
 - APPLICATION SPEC: AS-46426-100
 - PRODUCT TO MEET ROHS REQUIREMENTS
 - ASSEMBLY MATES TO MOLEX RECEPTACLE ASSEMBLY P/N 171089-0024
 - TAIL DESIGN: SOLDER TAIL
 - SIGNAL CONTACTS ARE LUBRICATED.

ENTER DESCRIPTION IEC NO. UCP2013-1517 DRAWN/LIN CHKD: APPR:V/LIN 4 REV	2012/10/10	2012/10/17	QUALITY SYMBOLS	GENERAL TOLERANCES (UNLESS SPECIFIED)	DIMENSION STYLE	SCALE	DESIGN UNITS	THIRD ANGLE PROJECTION	
			▽=0	mm INCH	MM/IN	3:1	METRIC	☉	
			▽=0	4 PLACES ± --- ± ---	DRAWN BY DATE	VLIN 2012/09/12	TITLE	TEN60 SPLIT POWER PLUG ASSY	
			▽=0	3 PLACES ± --- ± ---	CHECKED BY DATE			G-1P-50S-5SP-6SP-G	
			4 PLACES ± 0.13 ± ---	APPROVED BY DATE	VLIN 2012/10/10		molex		
			2 PLACES ± 0.25 ± ---	DRAFT WHERE APPLICABLE MUST REMAIN WITHIN DIMENSIONS	MATERIAL NO.	DOCUMENT NO.			
			1 PLACE ± --- ± ---		171088-0024	SD-171088-0024			
			0 PLACE ± --- ± ---		SIZE D				
THIS DRAWING CONTAINS INFORMATION THAT IS PROPRIETARY TO MOLEX INCORPORATED AND SHOULD NOT BE USED WITHOUT WRITTEN PERMISSION								SHEET NO.	1 OF 3



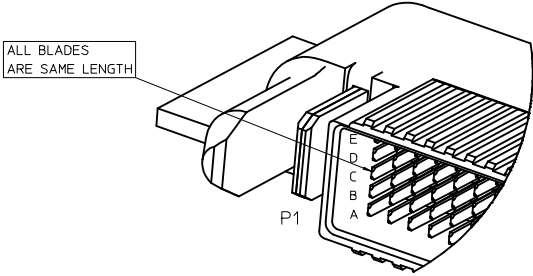
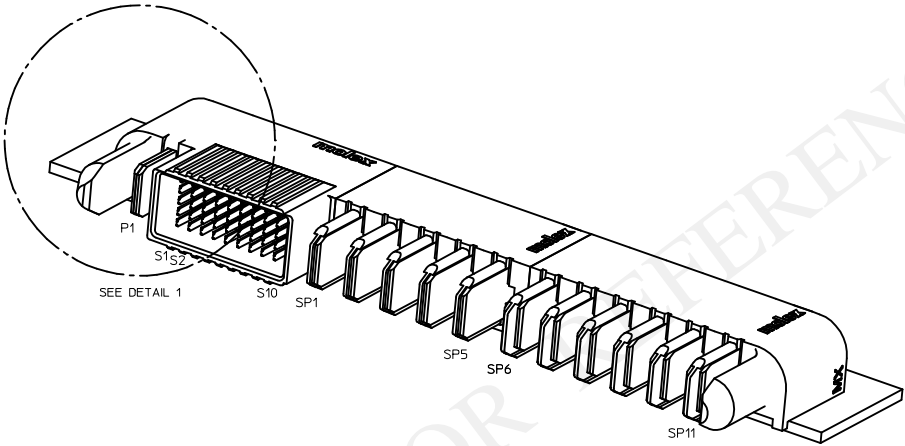
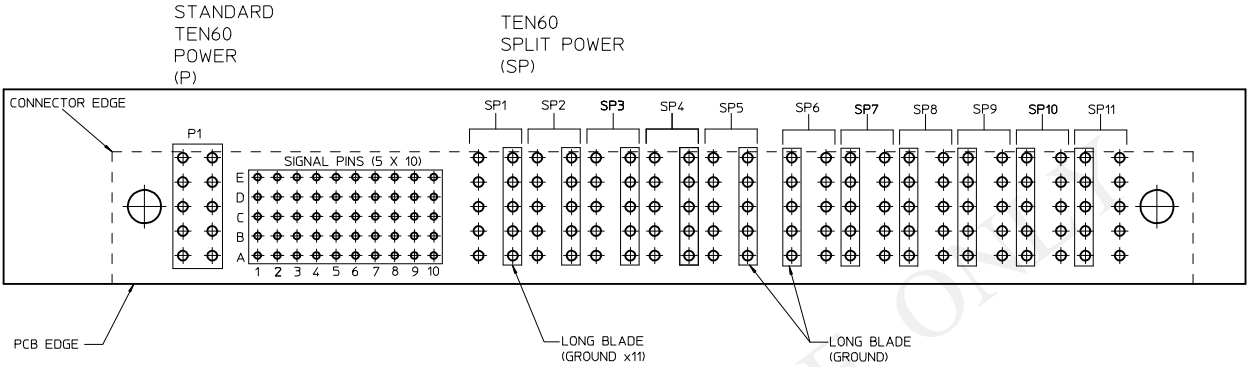
RECOMMENDED PCB LAYOUT AND KEEP OUT ZONE
(SEE SHEET 3 FOR PIN ASSIGNMENT)



DETAIL 1
SCALE 10:1

ENTER DESCRIPTION IEC NO. UCP2013-1517 DRAWN/LIN 2012/10/10 CHKD: APPR:VLIN 2012/10/17 REV 4	QUALITY SYMBOLS ▽=0 ▽=0 ▽=0	GENERAL TOLERANCES (UNLESS SPECIFIED)		DIMENSION STYLE MM/IN	SCALE 4:1	DESIGN UNITS METRIC	THIRD ANGLE PROJECTION	
		4 PLACES # --- # --- 3 PLACES # --- # --- 2 PLACES # 0.13 # --- 1 PLACE # 0.25 # --- 0 PLACE # --- # ---	mm INCH	DRAWN BY DATE VLIN 2012/09/12	CHECKED BY DATE	TITLE TEN60 SPLIT POWER PLUG ASSY G-1P-50S-5SP-6SP-G		
		ANGULAR ±1/2° DRAFT WHERE APPLICABLE MUST REMAIN WITHIN DIMENSIONS		APPROVED BY DATE VLIN 2012/10/10	MATERIAL NO. 171088-0024	DOCUMENT NO. SD-171088-0024	SHEET NO. 2 OF 3	
		THIS DRAWING CONTAINS INFORMATION THAT IS PROPRIETARY TO MOLEX INCORPORATED AND SHOULD NOT BE USED WITHOUT WRITTEN PERMISSION						

PCB PIN ASSIGNMENT



DETAIL 1
SCALE 5:1

ENTER DESCRIPTION IEC NO. UCP2013-1517 DRAWN BY: CHYD CHECKED BY: APPR:VLIN DATE: 2012/10/17 REV: 4	QUALITY SYMBOLS	GENERAL TOLERANCES (UNLESS SPECIFIED)	DIMENSION STYLE	SCALE	DESIGN UNITS	THIRD ANGLE PROJECTION	
	∇=0 ∇=0 ∇=0	mm INCH 4 PLACES ± --- ± --- 3 PLACES ± --- ± --- 2 PLACES ± 0.13 ± --- 1 PLACE ± 0.25 ± --- 0 PLACE ± --- ± ---	MM/IN	4:1	METRIC	DRAWN BY: VLIN DATE: 2012/09/12 CHECKED BY: VLIN DATE: 2012/10/10 APPROVED BY: VLIN DATE: 2012/10/10	TITLE: TEN60 SPLIT POWER PLUG ASSY G-1P-50S-5SP-6SP-G molex DOCUMENT NO. SD-171088-0024 SHEET NO. 3 OF 3
	ANGULAR ±1/2° DRAFT WHERE APPLICABLE MUST REMAIN WITHIN DIMENSIONS		MATERIAL NO.	171088-0024			
			SIZE	D	THIS DRAWING CONTAINS INFORMATION THAT IS PROPRIETARY TO MOLEX INCORPORATED AND SHOULD NOT BE USED WITHOUT WRITTEN PERMISSION		