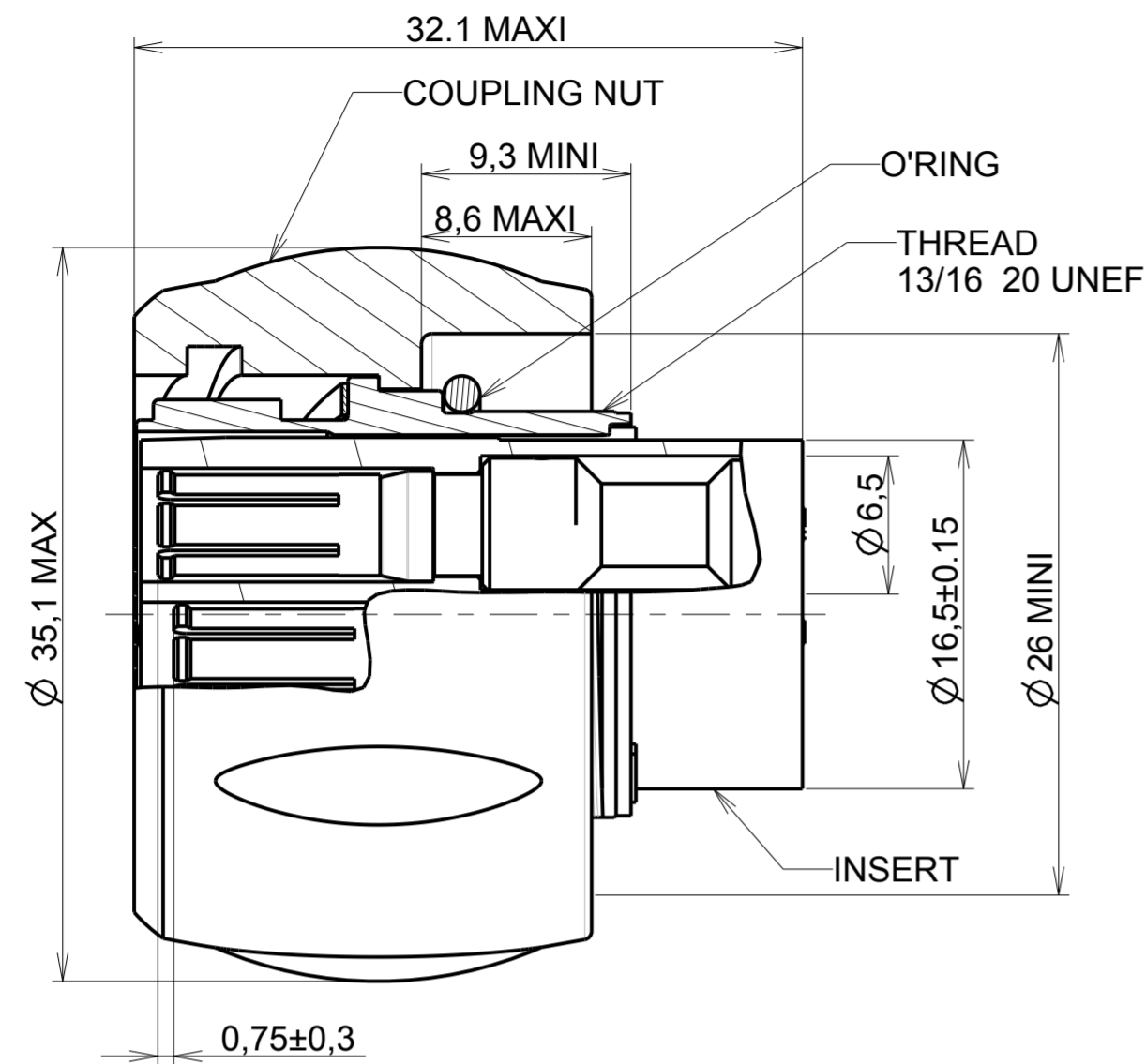
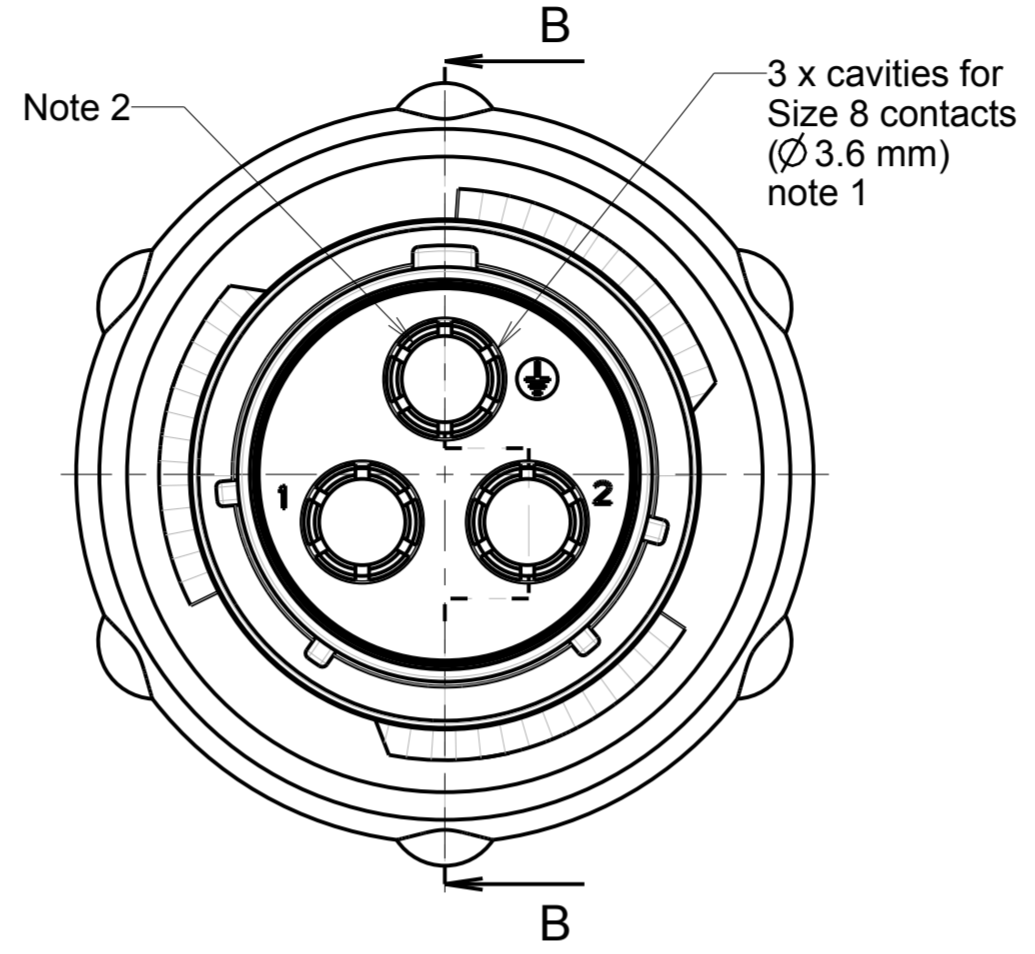


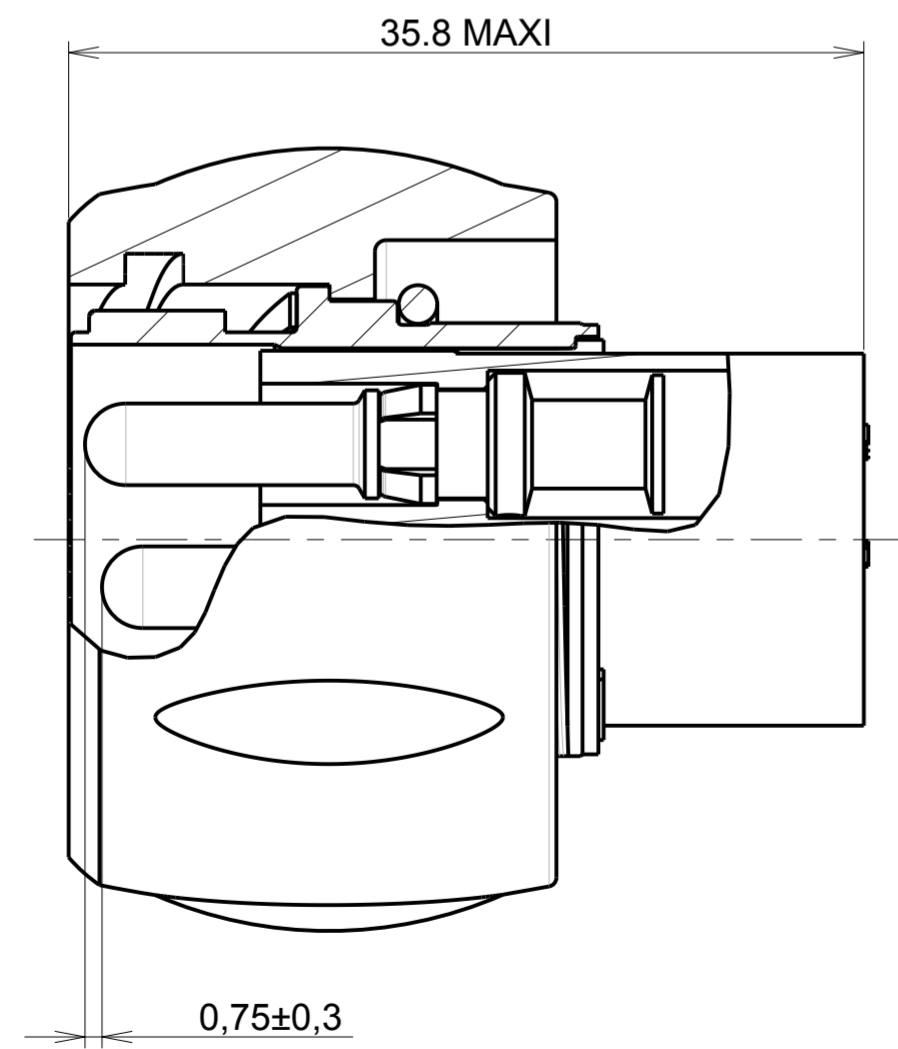
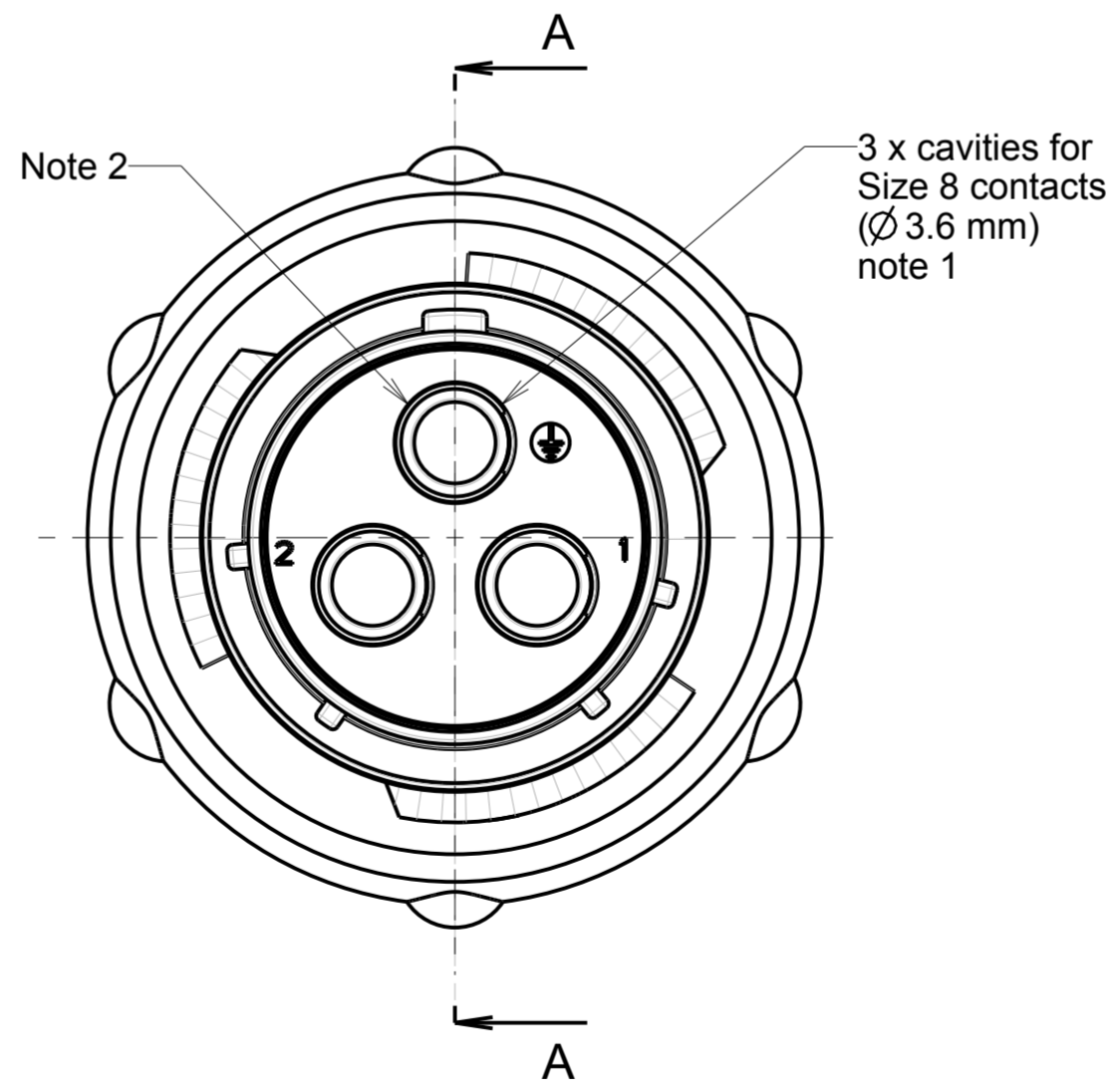
h:1:RL



MATING FACE FEMALE CONNECTOR



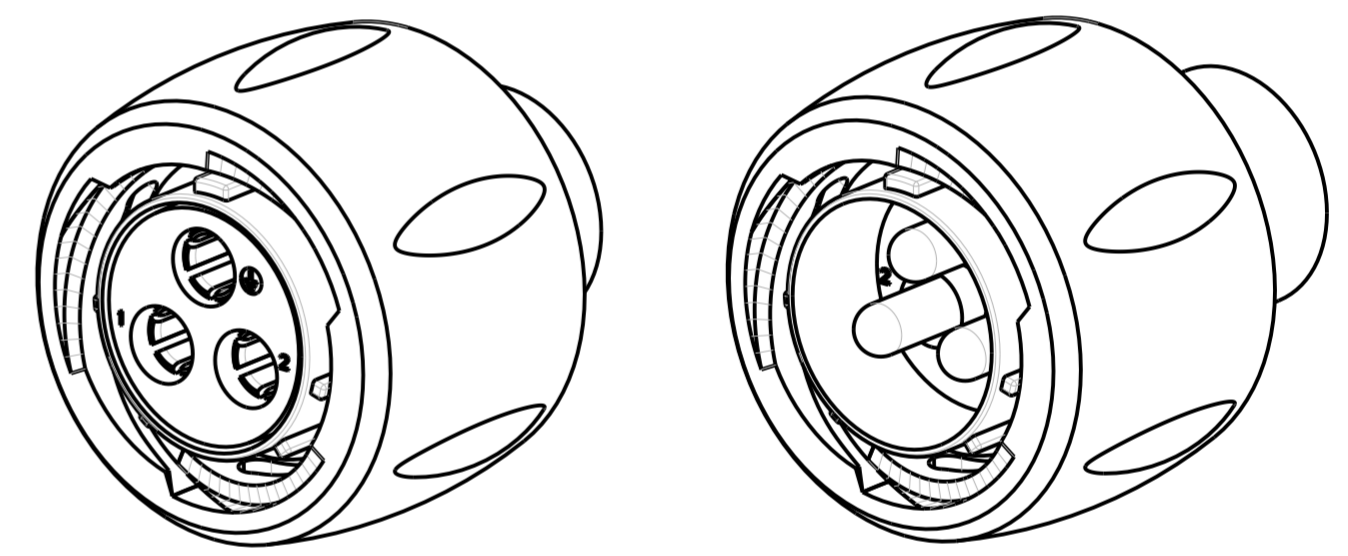
MATING FACE MALE CONNECTOR



MATERIAL :
 Coupling Nut: Polyamid UL94 V-0
 Insert: Polyamid UL94 V0
 Shell : Polyamid UL94 V-0
 Coupling spring : Carbon steel
 O'seal : Nitril

PERFORMANCE CHARACTERISTICS :
 Operating temperature: -40°C up to 105°C
 Insulation resistance: 5000 MΩ min
 Test potential: 2000 Vrms between pole
 Corrosion salt spray: 500 hours
 Durability: 250 matings and unmatings
 Sealing in mated conditions:
 -IP68 1 bar during 1 week : immersion under 10 m of water. (IEC 60529)
 -IP69K : exposure to high pressure water of cleaning equipment (DIN 40050)

NOTES :
 -1-Contact to be ordered separately : refer to UTS SERIES catalog
 -2-Earth cavity is a First mate last break contact



P/N: Male connector: UTS6142G1P
 Female connector : UTS6142G1S

CUSTOMER DRAWING

h	03/10/11	Update drawing		
ISS	DATE	Latest modification - by: J.FEURPRIER		MOD N°
Designed by: ROUILLARD C.		Date: 02/10/07	CUSTOMER DRAWING	
TITLE		CABLE PLUG WITH 3 CONTACTS Ø3.6mm UTS CONNECTOR		
Scale	1/1	General linear Tolerances: ± 0.2	NPRDS / PROJECT IC084601A	
		WWW.SOURIAU.COM		This document is the property of SOURIAU. It must not be reproduced or communicated without permission.
FORMAT	A2	SOURIAU DRG N° C038-UTS1-A		SHEET 1/1

NOT EXPORT CONTROLLED