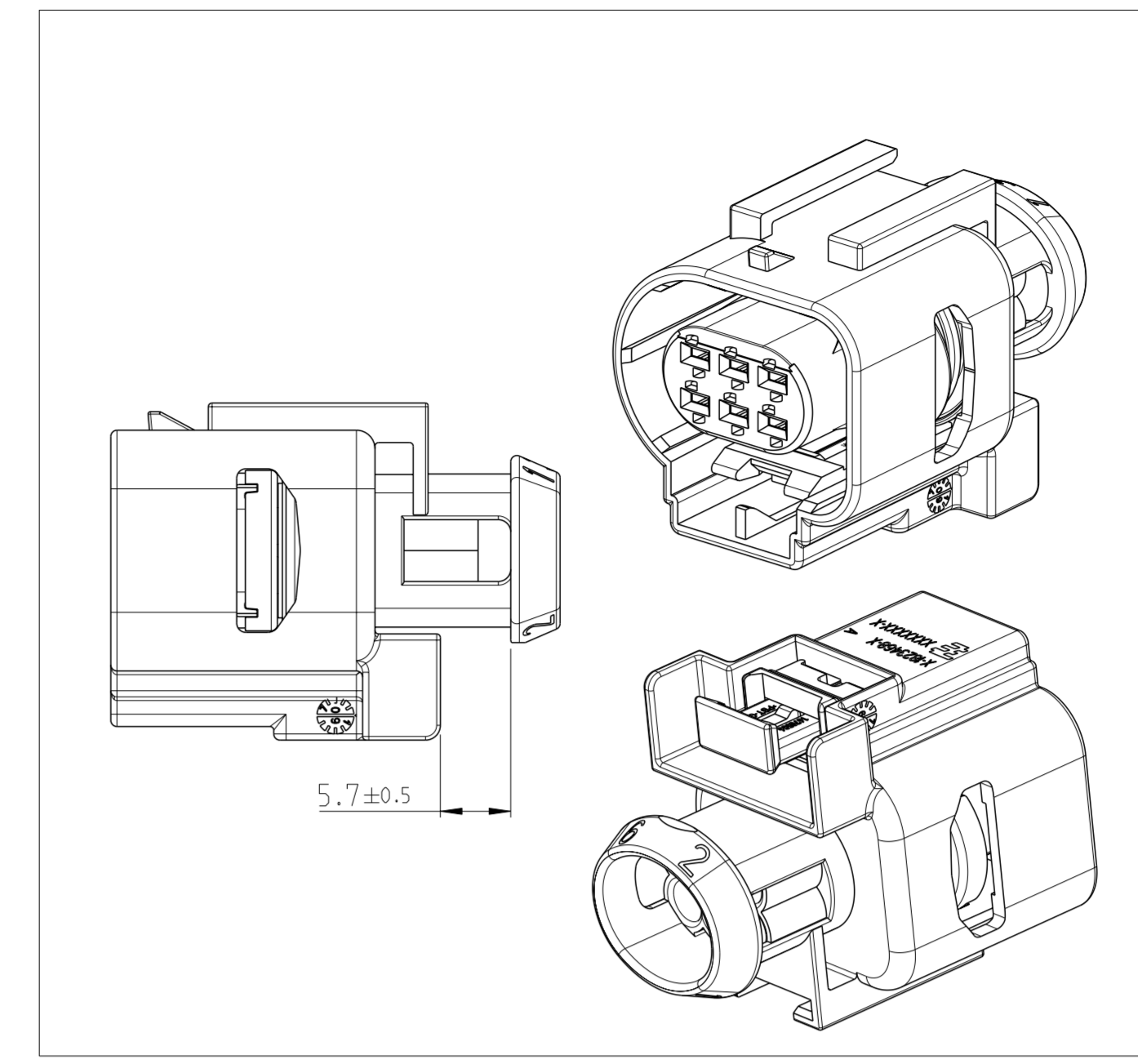
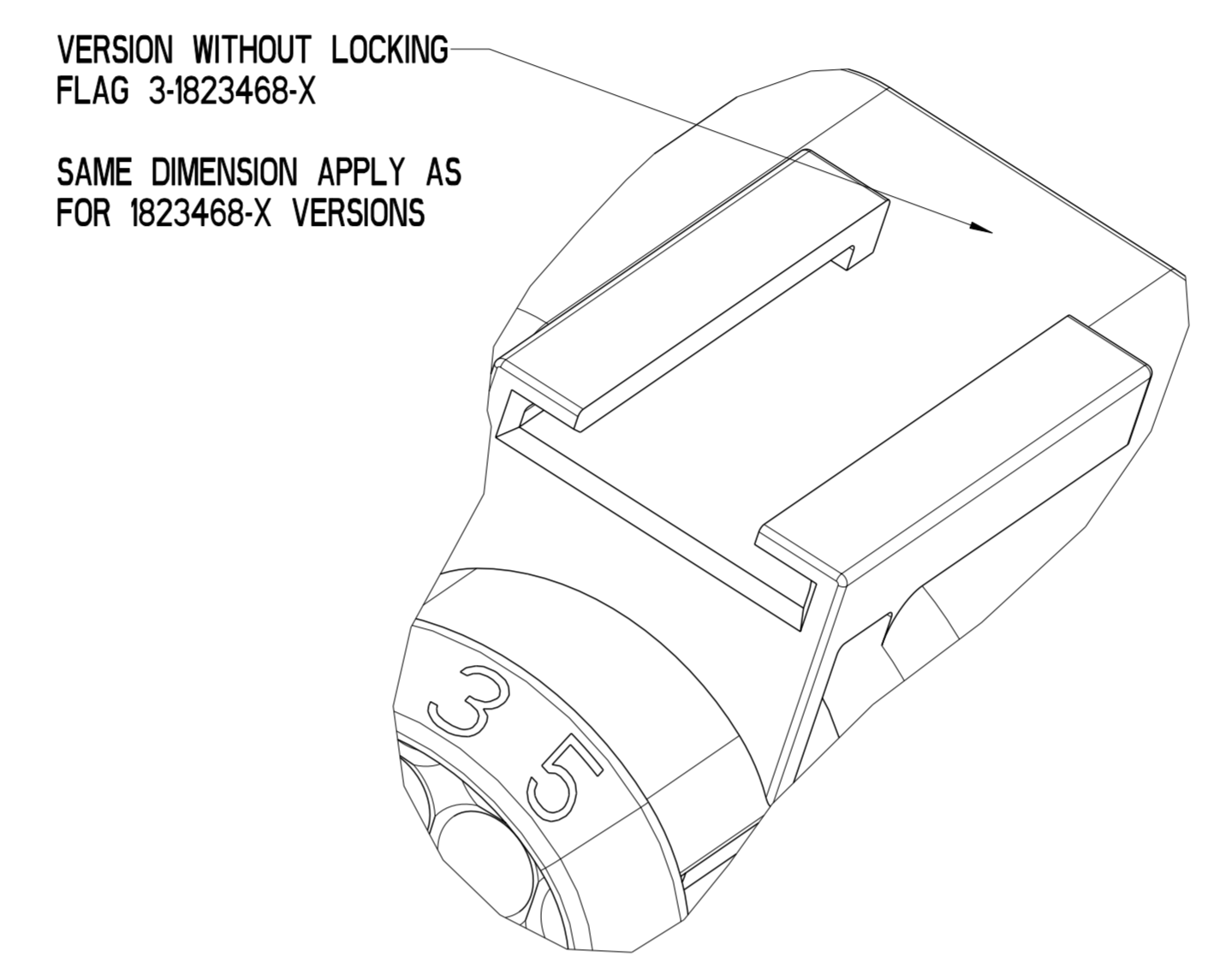
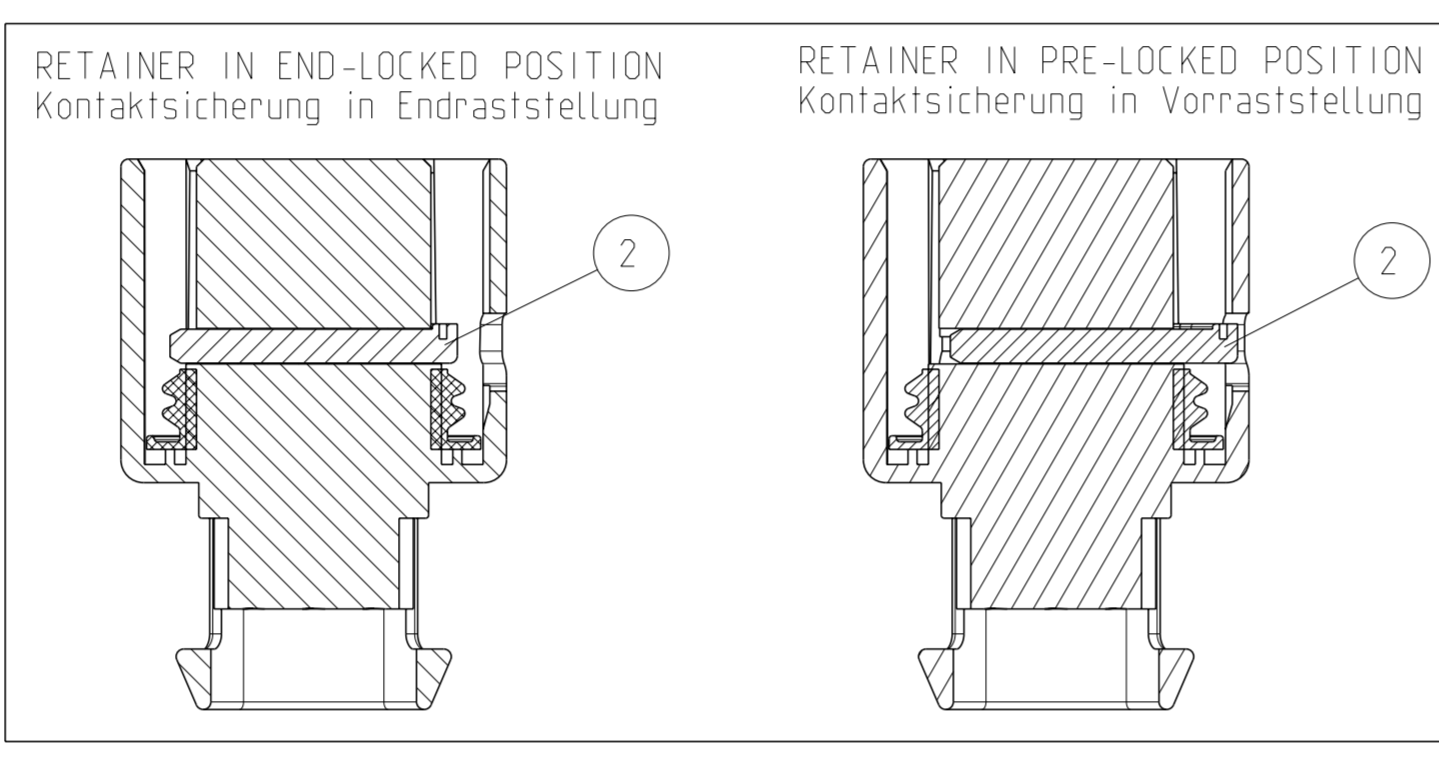
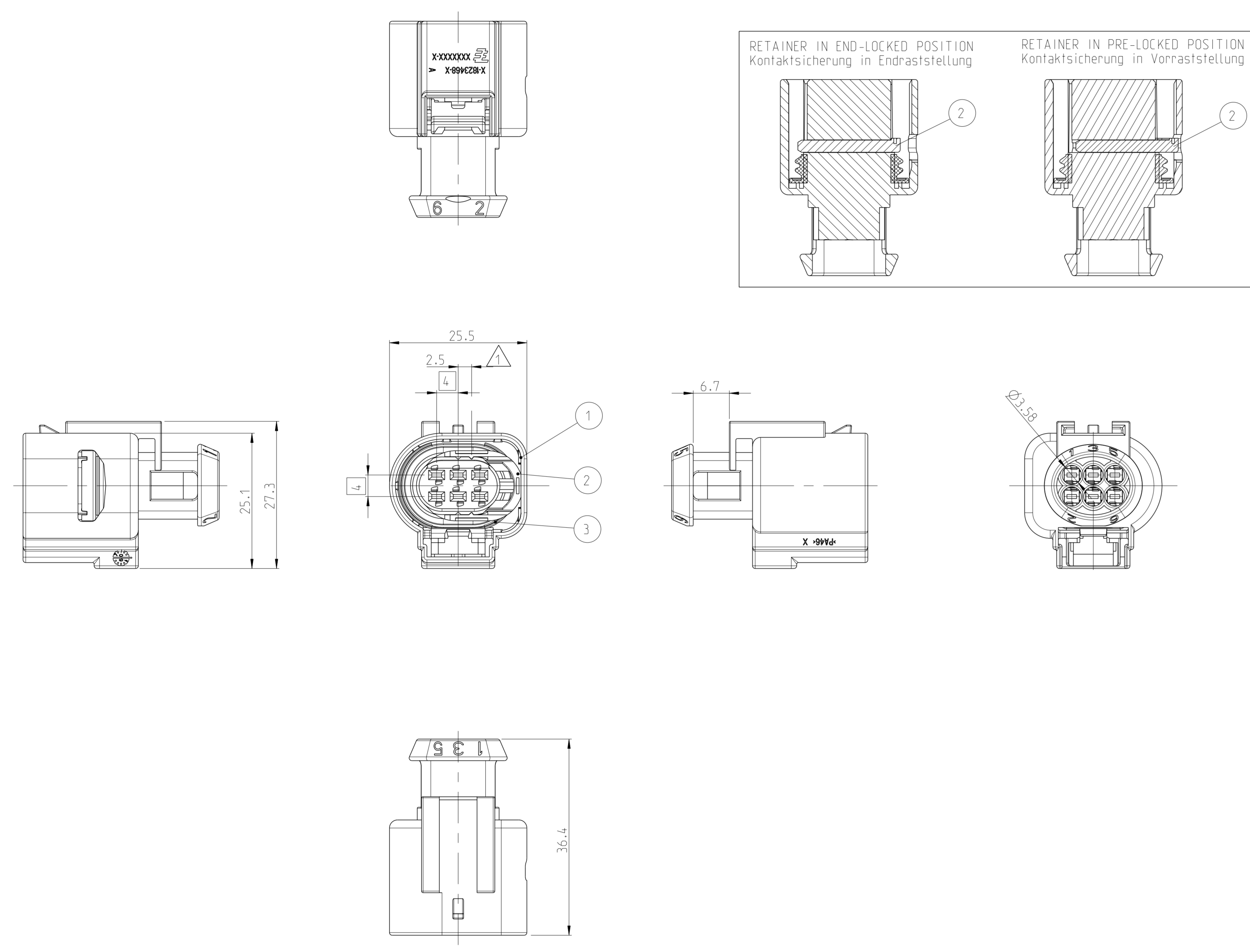
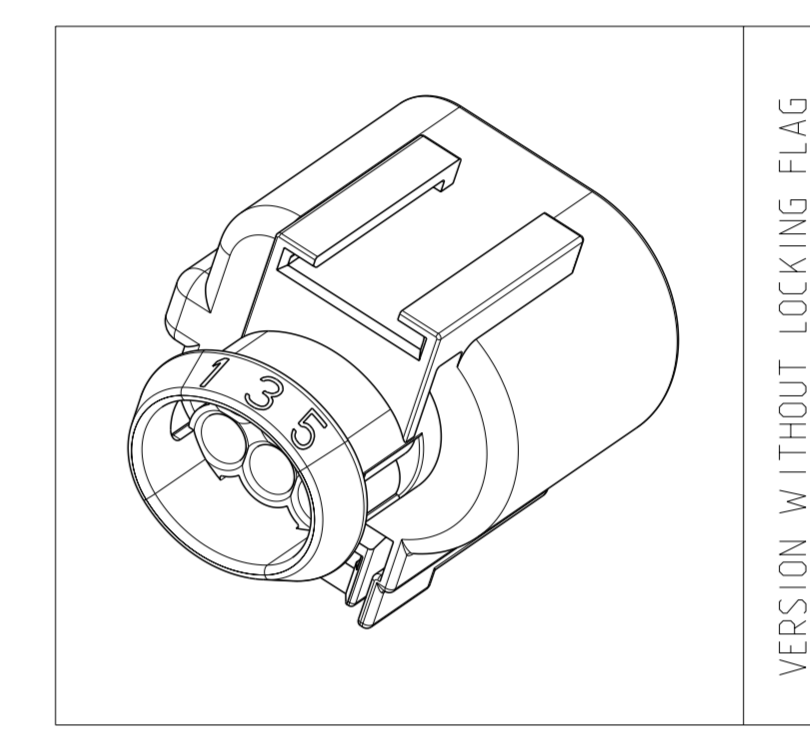


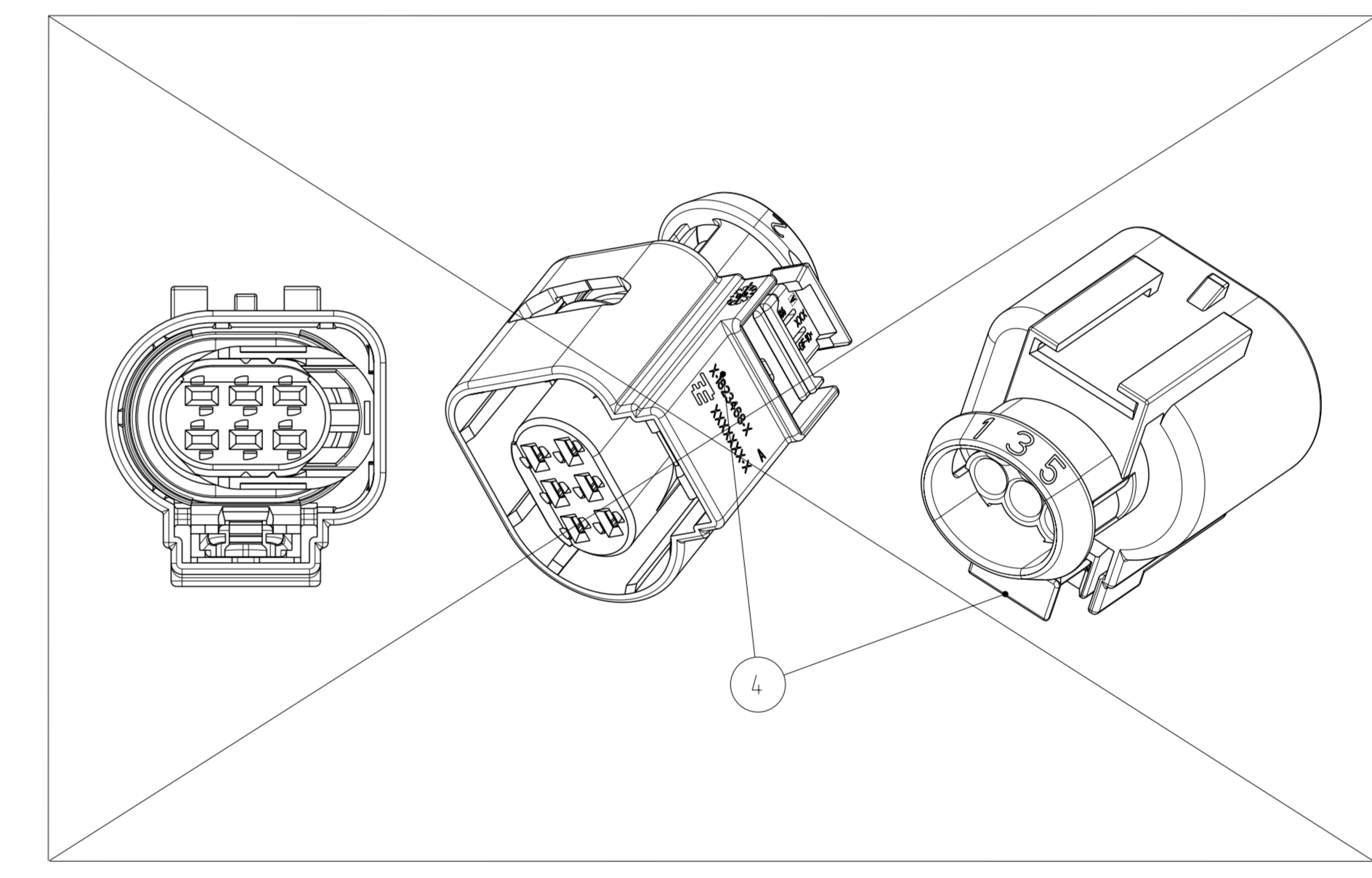
REVISIONS			
REV	DATE	DESCRIPTION	BY
C 10	ECR-15-016262		06NOV2006 SH HR
C 11	ECR-16-001421		04FEB2006 SMS YA
C 12	ECR-16-012575		05SEP2006 YA HR
C 13	ECR-21-126515		06NOV2021 OH JZ



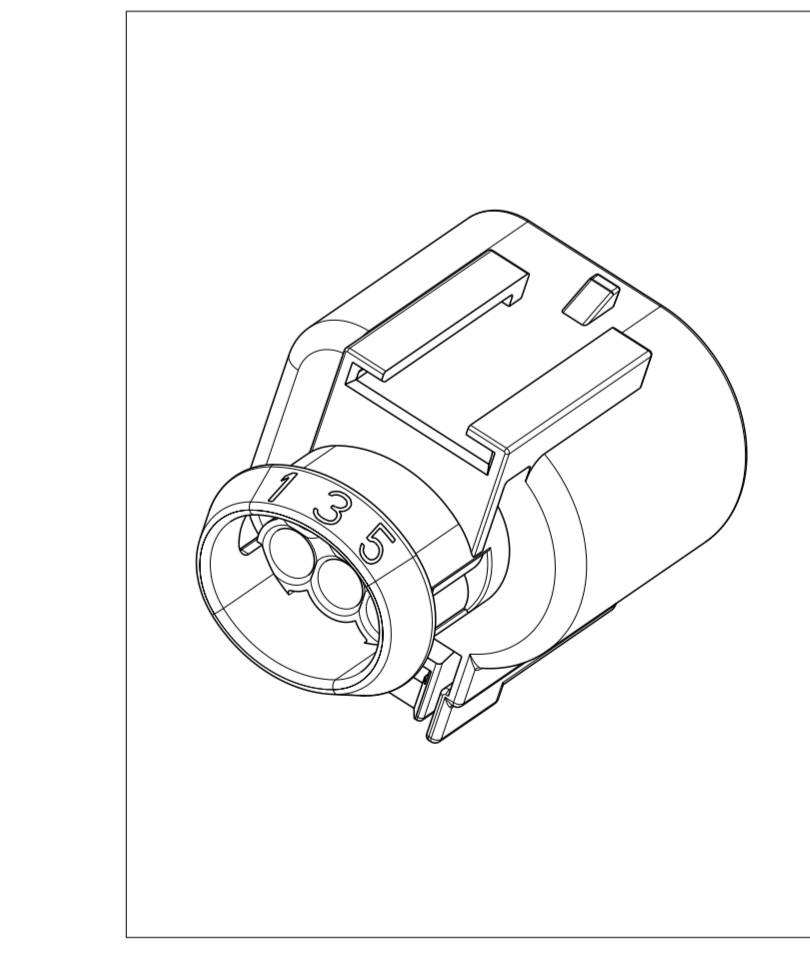
REV	DATE	DESCRIPTION	BY
H	0-2309220-9	MVQ LIGHT BLUE RADIAL SEAL ...	8.7 3
A	4-2309220-8	MVQ LIGHT BLUE RADIAL SEAL ...	8.7 2
H	5-2309220-8	MVQ LIGHT BLUE RADIAL SEAL ...	8.7 3
H	2-2309220-8	MVQ LIGHT BLUE RADIAL SEAL ...	8.7 3
G	2-2309220-7	MVQ LIGHT BLUE RADIAL SEAL ...	8.7 2
F	2-2309220-6	MVQ LIGHT BLUE RADIAL SEAL ...	8.7 3
E	2-2309220-5	MVQ LIGHT BLUE RADIAL SEAL ...	8.7 2
D	2-2309220-4	MVQ LIGHT BLUE RADIAL SEAL ...	8.7 3
C	2-2309220-3	MVQ LIGHT BLUE RADIAL SEAL ...	8.7 2
B	2-2309220-2	MVQ LIGHT BLUE RADIAL SEAL ...	8.7 3
A	2-2309220-1	MVQ LIGHT BLUE RADIAL SEAL ...	8.5 3



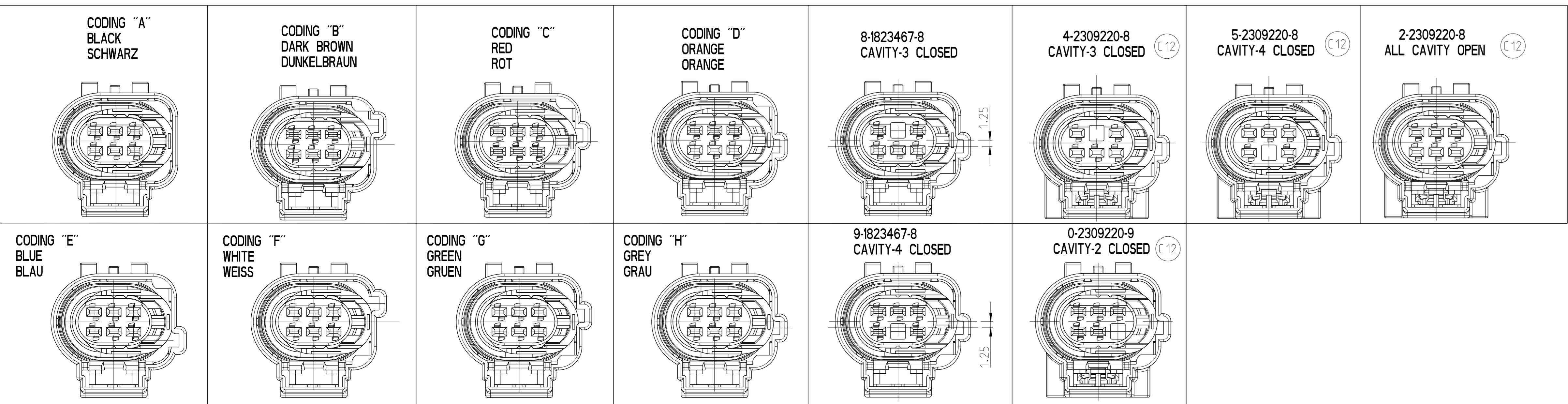
REV	DATE	DESCRIPTION	BY
H	3-1823467-6	MVQ LIGHT BLUE RADIAL SEAL ...	8 3
G	3-1823467-7	MVQ LIGHT BLUE RADIAL SEAL ...	8 2
F	3-1823467-8	MVQ LIGHT BLUE RADIAL SEAL ...	8 3
E	3-1823467-5	MVQ LIGHT BLUE RADIAL SEAL ...	8 3
D	3-1823467-4	MVQ LIGHT BLUE RADIAL SEAL ...	8 2
C	3-1823467-3	MVQ LIGHT BLUE RADIAL SEAL ...	8 2
B	3-1823467-2	MVQ LIGHT BLUE RADIAL SEAL ...	8 2
A	3-1823467-1	MVQ LIGHT BLUE RADIAL SEAL ...	7.8 3



REV	DATE	DESCRIPTION	BY
H	6-1823467-8	MVQ LIGHT BLUE RADIAL SEAL ...	8.5 2
H	2-1823467-8	MVQ LIGHT BLUE RADIAL SEAL ...	8.5 3
H	1-1823467-8	MVQ LIGHT BLUE RADIAL SEAL ...	8.5 2
G	1-1823467-7	MVQ LIGHT BLUE RADIAL SEAL ...	8.5 3
F	1-1823467-6	MVQ LIGHT BLUE RADIAL SEAL ...	8.5 2
E	1-1823467-5	MVQ LIGHT BLUE RADIAL SEAL ...	8.5 3
D	1-1823467-4	MVQ LIGHT BLUE RADIAL SEAL ...	8.5 2
C	1-1823467-3	MVQ LIGHT BLUE RADIAL SEAL ...	8.5 2
B	1-1823467-2	MVQ LIGHT BLUE RADIAL SEAL ...	8.5 3
A	1-1823467-1	MVQ LIGHT BLUE RADIAL SEAL ...	8.1 3



REV	DATE	DESCRIPTION	BY
H	0-1823467-8	MVQ LIGHT BLUE RADIAL SEAL ...	9 2
H	9-1823467-8	MVQ LIGHT BLUE RADIAL SEAL ...	9 2
H	1823467-8	MVQ LIGHT BLUE RADIAL SEAL ...	8 2
G	1823467-7	MVQ LIGHT BLUE RADIAL SEAL ...	8 2
F	1823467-6	MVQ LIGHT BLUE RADIAL SEAL ...	8 3
E	1823467-5	MVQ LIGHT BLUE RADIAL SEAL ...	8 2
D	1823467-4	MVQ LIGHT BLUE RADIAL SEAL ...	8 2
C	1823467-3	MVQ LIGHT BLUE RADIAL SEAL ...	8 2
B	1823467-2	MVQ LIGHT BLUE RADIAL SEAL ...	8 2
A	1823467-1	MVQ LIGHT BLUE RADIAL SEAL ...	7.8 3



NOTES
 Behmerkungen
 1 DELIVERY CONDITION, RETAINER IN PER-LOCK POSITION Anlieferungsstatus, Kontaktsicherung in Vorraststellung
 2 TERMINALS, SEE TE DRAWING 1241436 Kontakte, siehe TE Zeichnung 1241436
 3 INTERFACE ACC. TO TE SPECIFICATION No. 114-18375-1 Schnittstelle nach TE Spezifikation Nr. 114-18375-1
 4 BULK PACKAGED Schüttgut verpackt

THIS DRAWING IS A CONTROLLED DOCUMENT. DATE: 18MAY2009
 DIMENSIONS: INCHES (0.001 INCHES) / MILLIMETERS (0.05 MILLIMETERS)
 MATERIAL: S.T.A.B. FINISH: -
 CUSTOMER DRAWING: -
 ST logo and TE Connectivity text.
 PRODUCT SPEC: 6POS. AMP MCP1.5K, REC. HOUSING 6POLIG. AMP MCP1.5K, BUCHSENGEHAUSE ASSY
 SIZE: 00779 C=1823467
 SCALE: 2:1 SHEET 1 OF 1