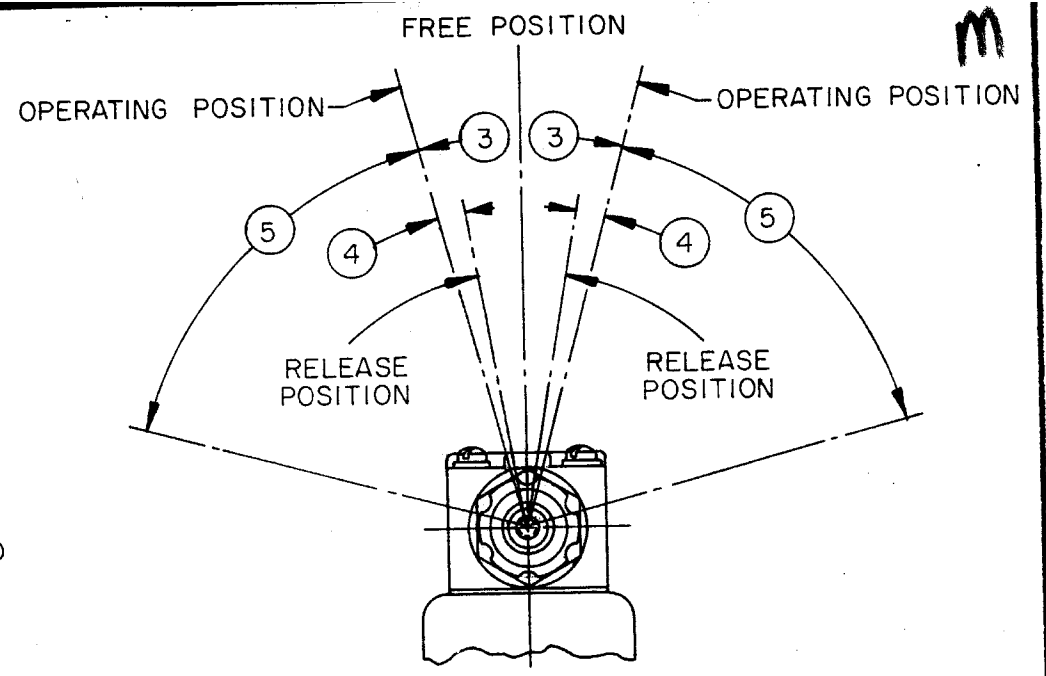
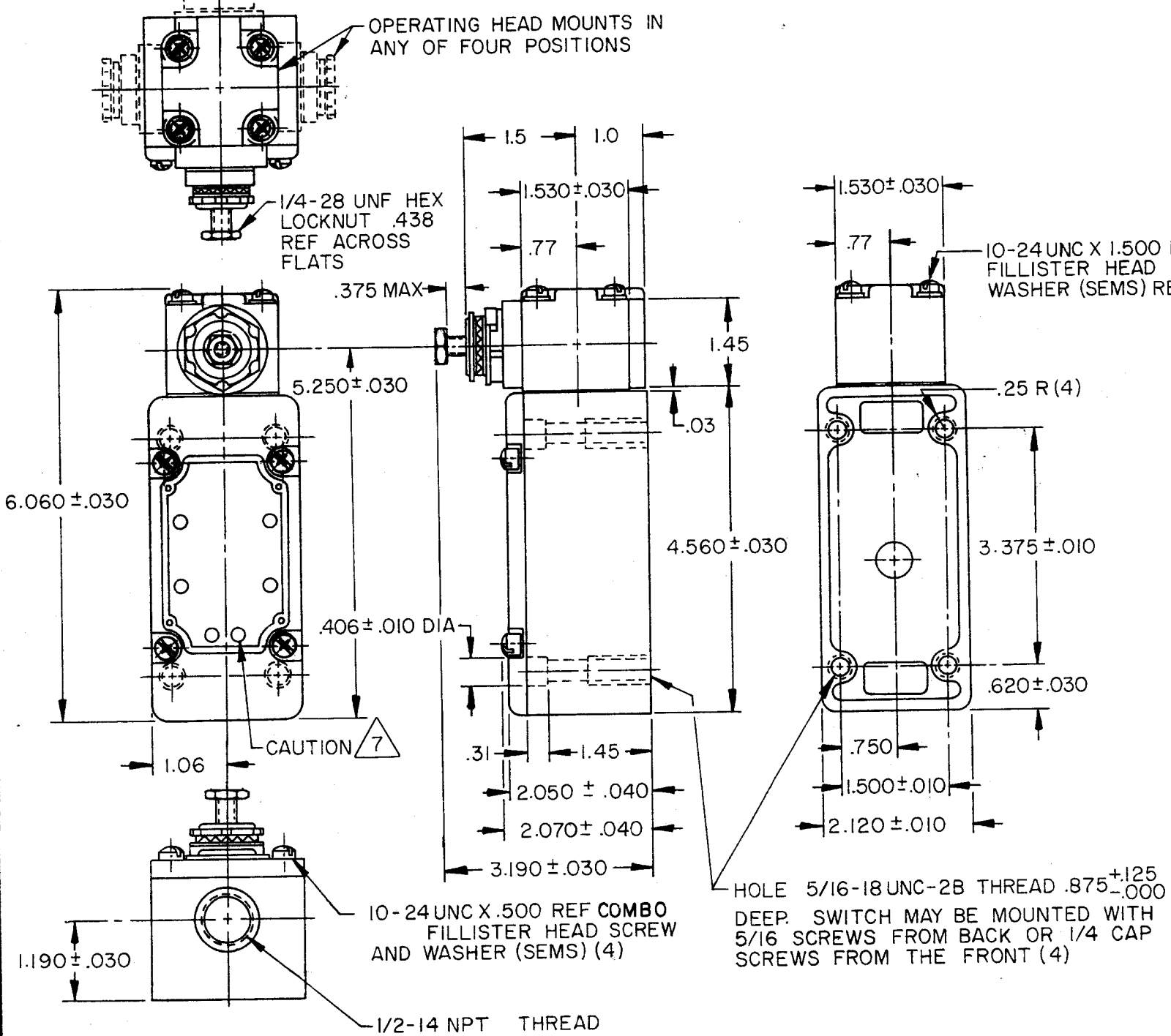


MICRO SWITCH
 FREEPORT, ILLINOIS, U.S.A.
 A DIVISION OF HONEYWELL
 FED. MFG. CODE 91929

SWITCH - ENCLOSED

CATALOG LISTING
51ML72-E1

51ML72-E1
 M
 DRAWING NUMBER
 X 6
 ISSUE
 X 6
 REVISIONS
 A 0058367 JAS 11 NOV 85
 B 055051 C 22 APR 85
 C 0058909 TSK 29 JAN 86
 D 0063739 6 JAN 86
 E 0074287 D J S 15 JUN 88
 01 APR 85
 15 APR 85
 T S K
 FO-5285 1-B
 DRAWN
 CHECK
 K A G
 22 APR 85
 CHECK
 R O B
 22 APR 85
 CHECK
 PR-13852
 REPLACES



- NOTES**
- 1 SWITCH IS ASSEMBLED FOR ACTUATION IN EITHER DIRECTION TO CONVERT SWITCH FOR ACTUATION EITHER CLOCKWISE OR COUNTER-CLOCKWISE DIRECTION ONLY, REMOVE THE HEAD AND SLIDE THE CAM TOWARD THE REAR OF THE HEAD SUFFICIENTLY TO DISENGAGE FROM THE FLATS ON THE SHAFT. ROTATE THE CAM 90° IN THE OPPOSITE DIRECTION OF THE ACTUATION DESIRED AND RE-ENGAGE THE CAM WITH THE FLATS ON THE SHAFT
 - 2 - SHAFT MAY BE ADJUSTED TO ACTUATE THE SWITCH IN THE CLOCKWISE DIRECTION ONLY, THE COUNTER-CLOCKWISE DIRECTION ONLY OR IN BOTH DIRECTIONS
 - 3 - IT IS ESSENTIAL THAT THE CONDUIT OPENING BE PROPERLY SEALED IN ORDER TO MAINTAIN THE EXPLOSION PROOF PROPERTIES
 - 4 BASIC SWITCHING ELEMENT LISTED BY UNDERWRITERS' LABORATORIES INC.
 - 5 - FOR USE IN CLASS I GROUPS C & D, CLASS II GROUPS E, F & G HAZARDOUS LOCATIONS
 - 6 IN ORDER TO MAINTAIN THE EXPLOSION PROOF PROPERTIES OF THIS UNIT DO NOT OBSTRUCT THE HOLES IN THE COVER PLATE

THIS DRAWING COVERS A PROPRIETARY ITEM AND IS THE PROPERTY OF MICRO SWITCH, A DIVISION OF HONEYWELL. THIS DRAWING IS NOT TO BE COPIED OR USED WITHOUT THE APPROVAL OF MICRO SWITCH.

CHARACTERISTICS	ELECTRICAL DATA	SCALE 1/2 TO 1
OPERATING TORQUE --- 5 11/32 LB IN MAX	CONTACT ARRANGEMENT	DO NOT SCALE PRINT
FULL OVERTRAVEL TORQUE 7 1/8 LB IN MAX	D P D T	TOLERANCES
RELEASE TORQUE ----- 7/16 LB IN MIN	10 A-125 OR 250 VAC	APPLY TO DESIGN UNITS. CONVERSIONS ARE ONLY FOR REFERENCE. UNLESS NOTED TOLERANCES ARE ±
PRETRAVEL ----- ③ 20° MAX	0.3 A-125 VDC; 0.15 A-250 VDC	DIM. TOL. DIM. TOL.
DIFFERENTIAL TRAVEL ----- ④ 15° MAX		mm mm/in in mm/in
OVERTRAVEL ----- ⑤ 50° MIN		NO PLACES X 1/04 X X 0.47/016 X X 0.81/03
SWITCH-BASIC REPLACEMENT ----- DT-2R711-A7		ONE PLACE X, X 0.47/016 X X 0.38/015
		TWO PLACES X, XX 0.157/008 X XX 0.137/005
		THREE PLACES X, XXX X XXX 0.137/005
		ANGLES
		SI METRIC US CUSTOMARY
		DESIGN UNITS
		THIRD ANGLE PROJECTION
		WEIGHT