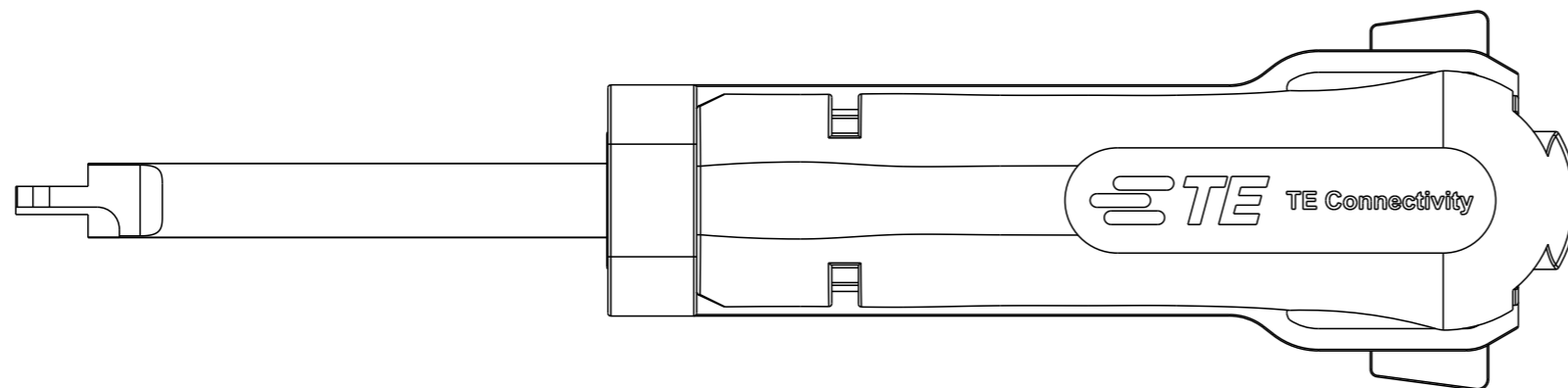


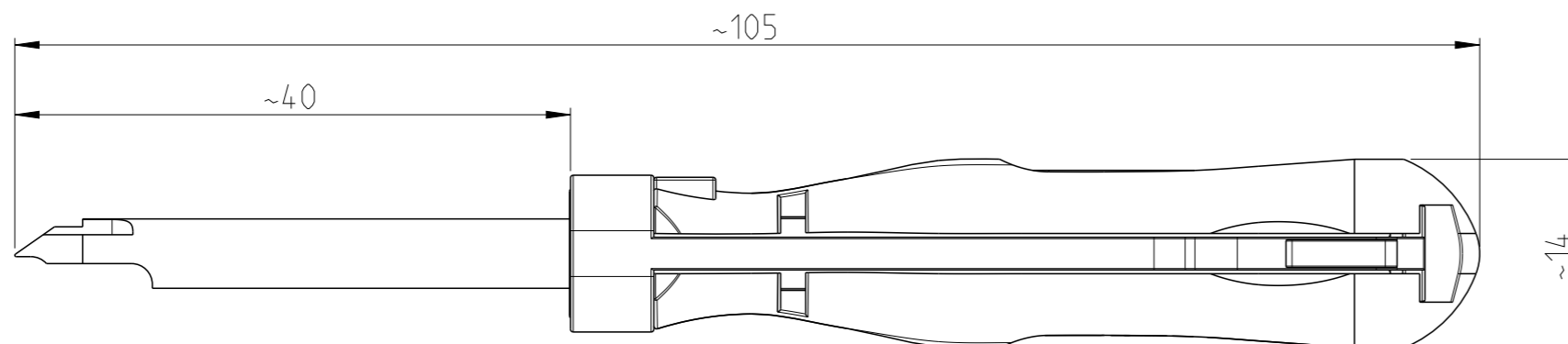
Auslieferungs-Zustand wie dargestellt!!!!

REVISIONS					
P	LTR	DESCRIPTION	DATE	DWN	APVD
	A2	ECR-16-016217	16NOV2016	KH	BM
	A3	ECR-20-008954	11JUL2020	PNT	GS



APPLICATION RANGE / Anwendungsbereich:

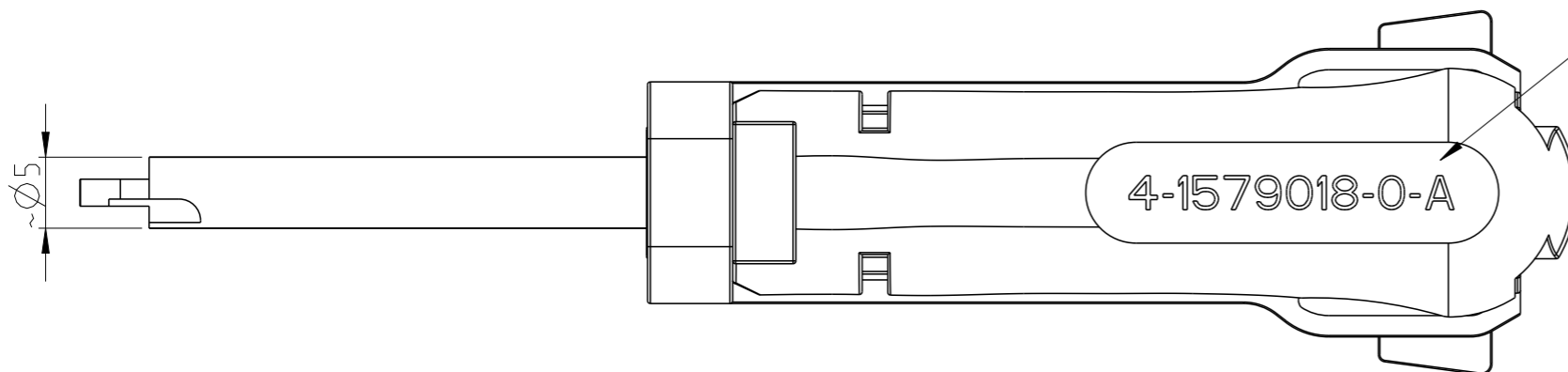
CONTACT: MCON 1.2 1452501, 1534595,  
1534063, 1570145,  
1452504, 1418842,  
1418845, 1418848,  
1670147, 1418851



HOUSING: 1703440

APPLICATION SPEC: 114-18464

ITEM NUMBER  
Art.-Nr.



THIS DRAWING IS A CONTROLLED DOCUMENT.		DWN S.Samstag 10MAR2009		
DIMENSIONS: mm		CHK		
TOLERANCES UNLESS OTHERWISE SPECIFIED:		APVD	NAME EXTRACTION TOOL Entriegelungswerkzeug	
0 PLC ± 1 PLC ± 2 PLC ± 3 PLC ± 4 PLC ± ANGLES ±		PRODUCT SPEC	RESTRICTED TO	
MATERIAL		FINISH	APPLICATION SPEC	SIZE A3
		WEIGHT 0.015kg	CAGE CODE 00779	DRAWING NO 4-1579018-0
		CUSTOMER DRAWING	SCALE 2:1	SHEET 1 OF 1
			REV A3	