

**MICRO SWITCH**  
 FREEPORT ILLINOIS U.S.A.  
 A DIVISION OF HONEYWELL  
 FED. MFG. CODE 91929

**SWITCH - TOGGLE  
 FLUSH KEY**

CATALOG LISTING  
**2TP30 SERIES**  
**CHART 1**

THIS DRAWING COVERS A PROPRIETARY ITEM AND IS THE PROPERTY OF MICRO SWITCH A DIVISION OF HONEYWELL. THIS DRAWING IS NOT TO BE COPIED OR USED WITHOUT THE APPROVAL OF MICRO SWITCH

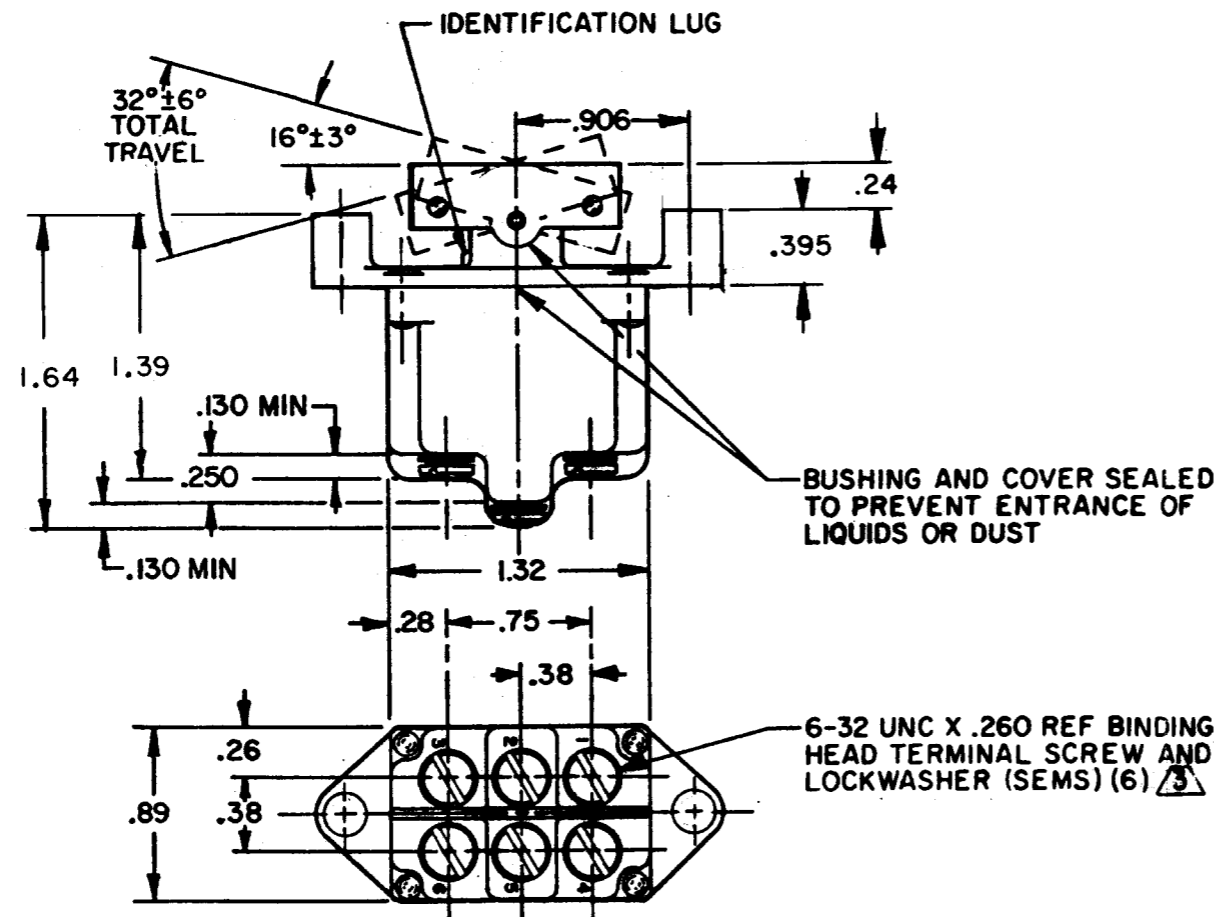
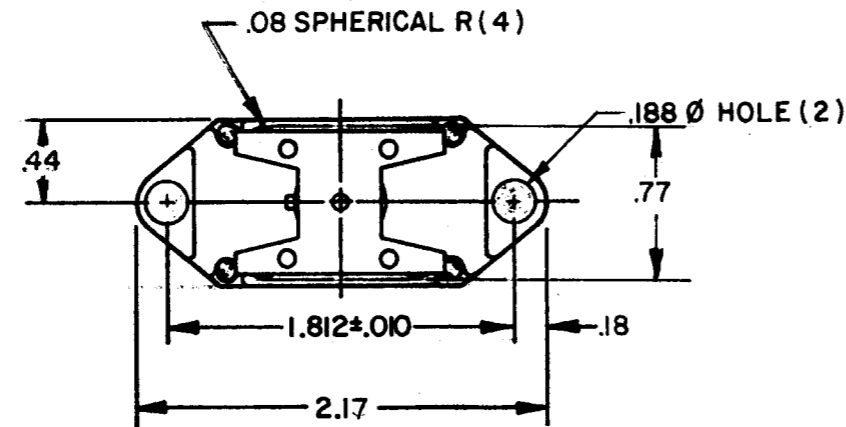
| CATALOG LISTING | CIRCUIT MADE WITH DEPRESSED ON |                     |                           |
|-----------------|--------------------------------|---------------------|---------------------------|
|                 | LUG SIDE<br>(1-2,4-5)          | CENTER<br>(1-2,4-5) | OPPOSITE LUG<br>(2-3,5-6) |
| 2TP30-1         | ON                             | OFF                 | ON                        |
| 2TP30-2         | OFF                            | NONE                | ON                        |
| 2TP30-3         | ON                             | NONE                | ON                        |
| 2TP30-21        | NONE                           | OFF                 | ON                        |
| 2TP30-31        | NONE                           | ON                  | ON                        |
| 2TP30-4         | MOM OFF                        | NONE                | ON                        |
| 2TP30-5         | MOM ON                         | OFF                 | ON                        |
| 2TP30-6         | MOM ON                         | NONE                | OFF                       |
| 2TP30-7         | MOM ON                         | OFF                 | MOM ON                    |
| 2TP30-8         | MOM ON                         | NONE                | ON                        |
| 2TP30-51        | NONE                           | ON                  | MOM ON                    |
| 2TP30-61        | MOM ON                         | OFF                 | NONE                      |

**ELECTRICAL DATA**

L191 15A 125, 250, 277 VAC  
 1/2HP 125 VAC  
 1HP 250, 277 VAC  
 5A 125 VAC "L"



L192 10A 125, 250, 277 VAC  
 1/4HP 125 VAC,  
 1/2HP 250, 277 VAC  
 3A 125 VAC "L"



**NOTES**

- 1 - THESE SWITCHES WILL WITHSTAND TEMPERATURE OF 160°F
- 2 - CIRCUIT DESIGNATION AND MICRO SWITCH CATALOG LISTING STAMPED ON SIDE OF SWITCH

3 - SCREWS FURNISHED UNASSEMBLED

2TP30 SERIES  
 CHART 1  
 PAGE 1 OF 1

M

DRAWING NUMBER

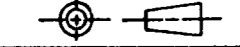
ISSUE X 5

ISSUE X 4

**REVISIONS**

|   |         |           |
|---|---------|-----------|
| A | C049167 |           |
| B | CJH     | 16 JUL 81 |
| C | WJK     | 22 OCT 86 |
| D | 200173  | 30 MAR 00 |

THIRD ANGLE PROJECTION



SCALE FULL

DO NOT SCALE PRINT

**TOLERANCES**

APPLY TO DESIGN UNITS. CONVERSIONS ARE ONLY FOR REFERENCE. UNLESS NOTED, TOLERANCES ARE ±

|              | DIM.<br>mm | TOL.<br>mm/10 | DIM.<br>IN | TOL.<br>mm/10 |
|--------------|------------|---------------|------------|---------------|
| NO PLACES    | X          | 1/.04         | X.Y        | 0.51/05       |
| ONE PLACE    | X.X        | 0.4/.015      | X.XX       | 0.38/.015     |
| TWO PLACES   | X.XX       | 0.15/.005     | X.XXX      | 0.13/.005     |
| THREE PLACES | X.XXX      |               |            |               |
| ANGLES       |            |               |            |               |

DESIGN UNITS  SI METRIC  US CUSTOMARY

RAW MATERIAL—COMMERCIAL STANDARD  
 MICRO SWITCH STANDARDS APPLY  
 DIMENSIONS ARE TO BE MET BEFORE  
 PROTECTIVE COATINGS ARE APPLIED

WEIGHT .14 LB EST

FORMTEK

FO-52854-B

DRAWN

J A P 8 SEPT 80 CHECK C E B 9 SEPT 80 CHECK

RELEASE NO. PR-9347

CHECK

CHECK

CHECK

CHECK

CHECK

REPLACES