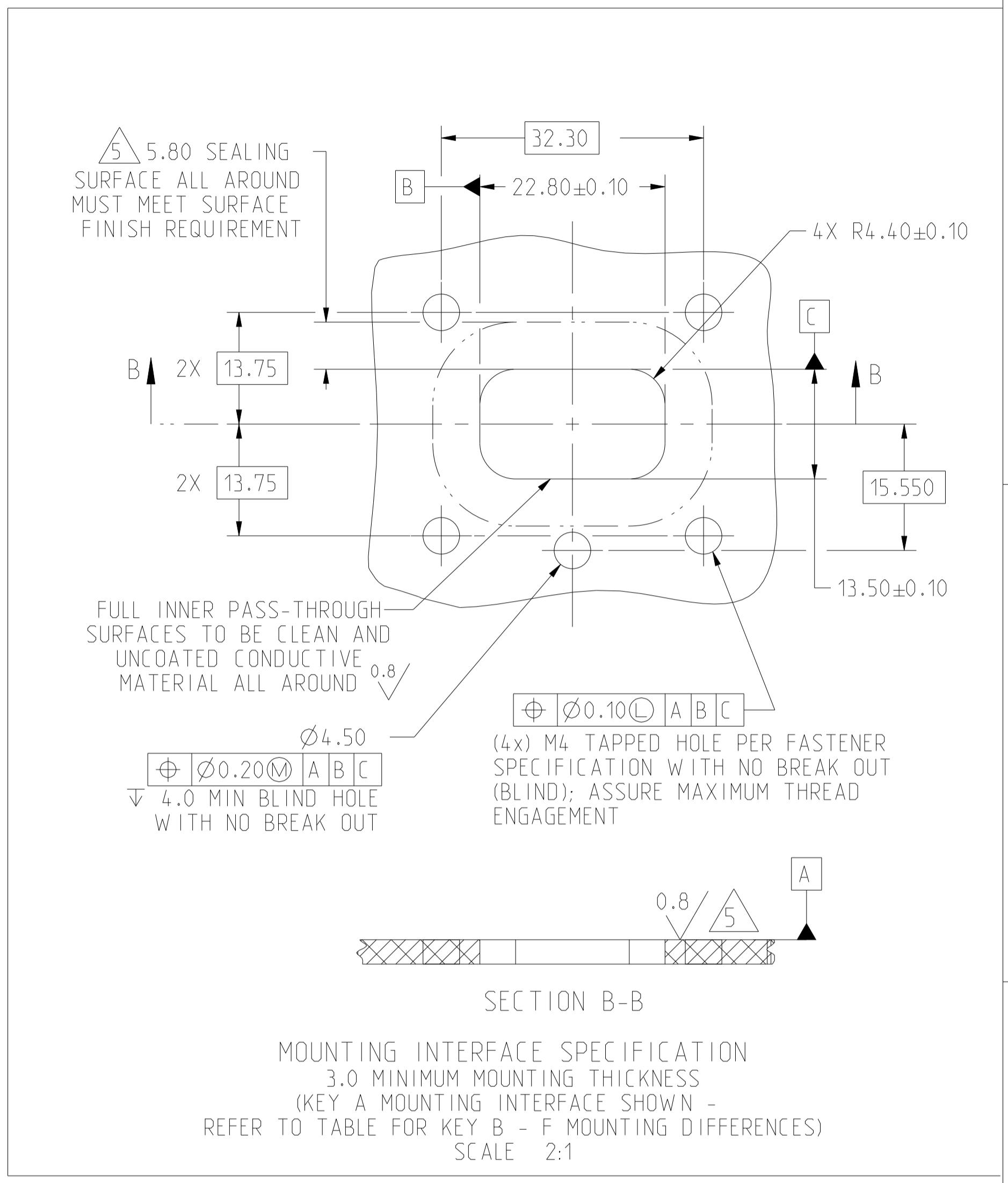
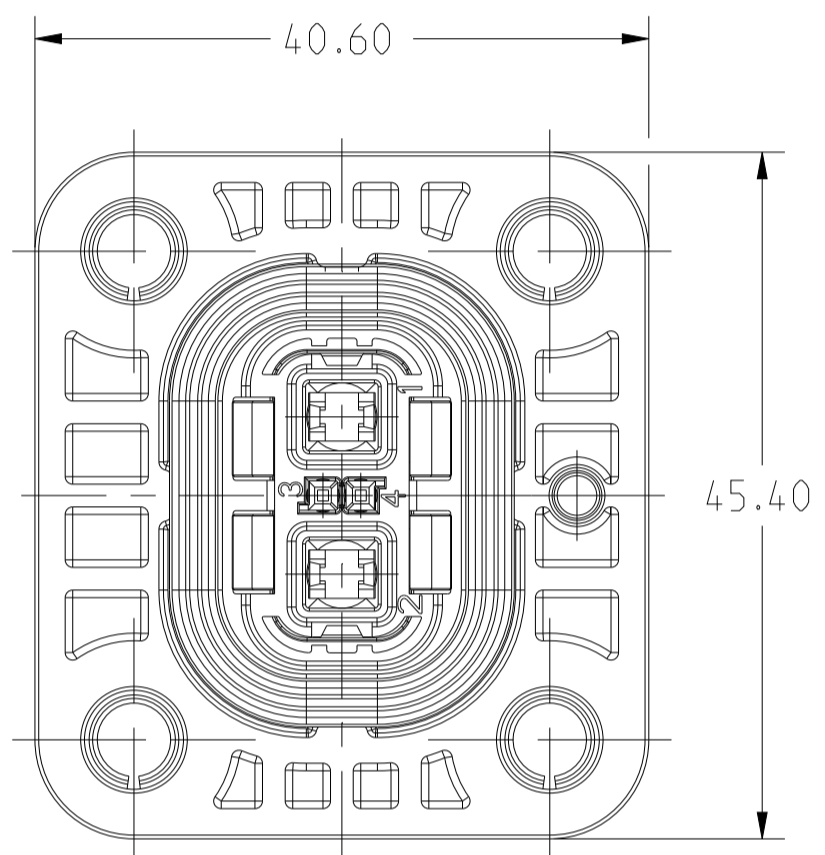
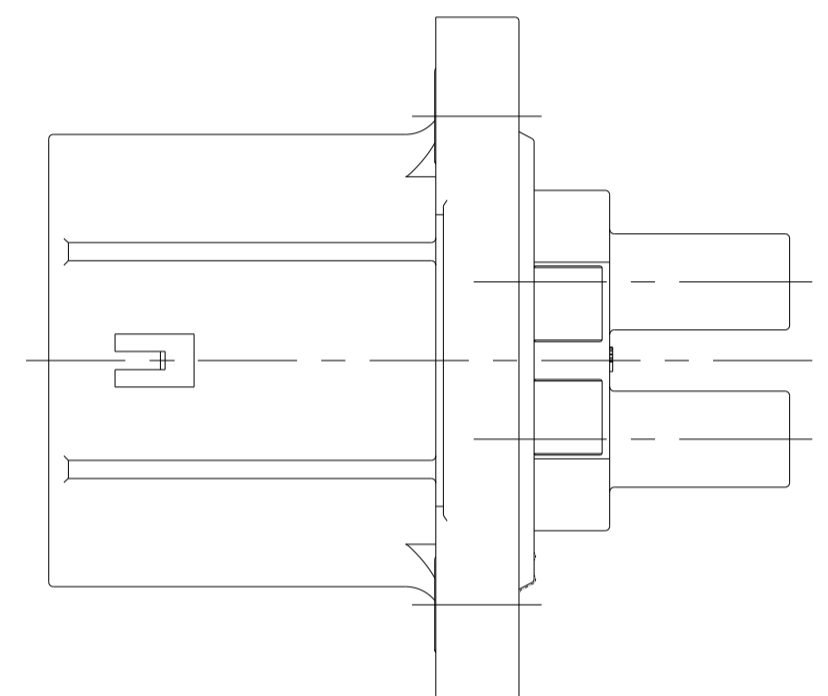
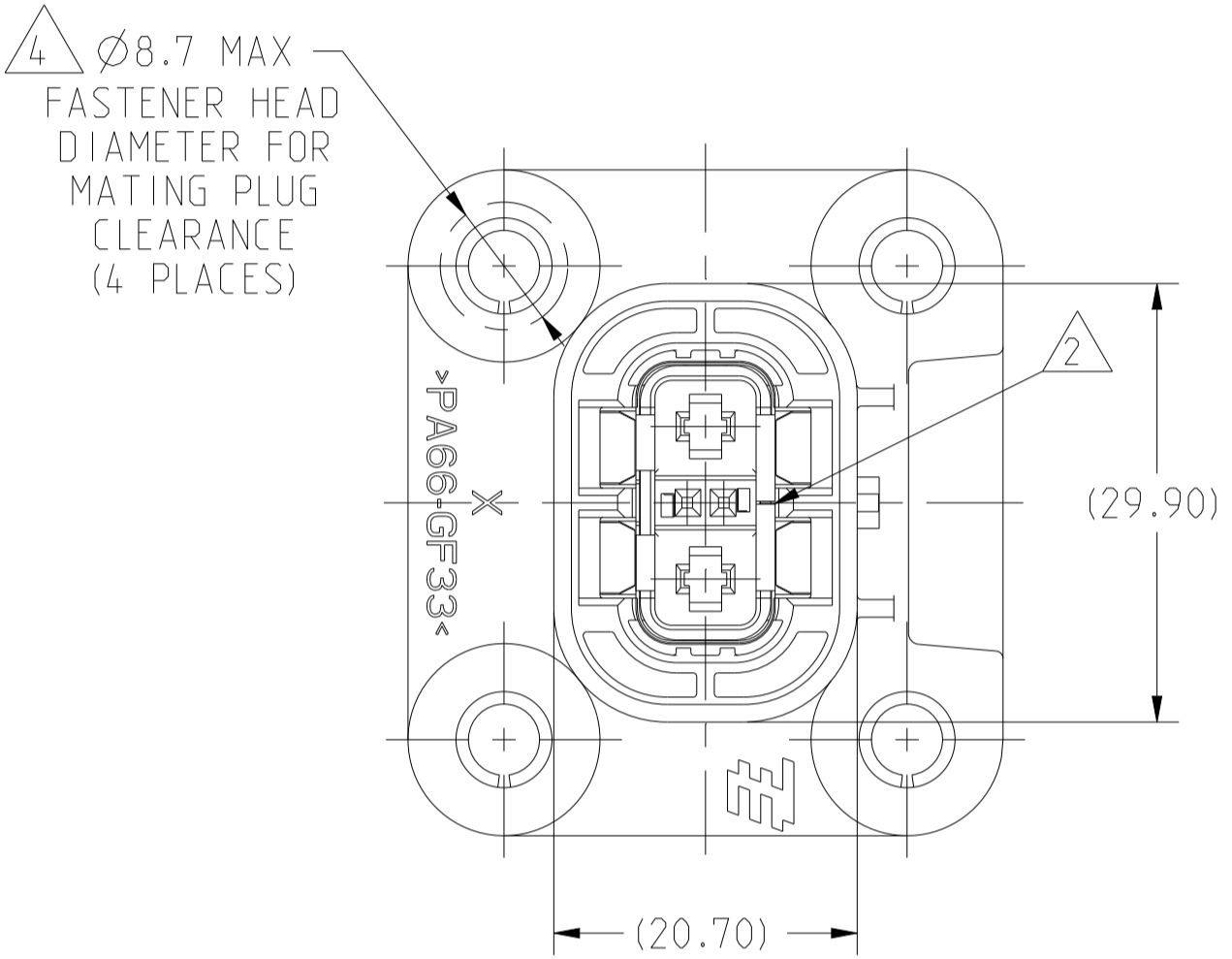
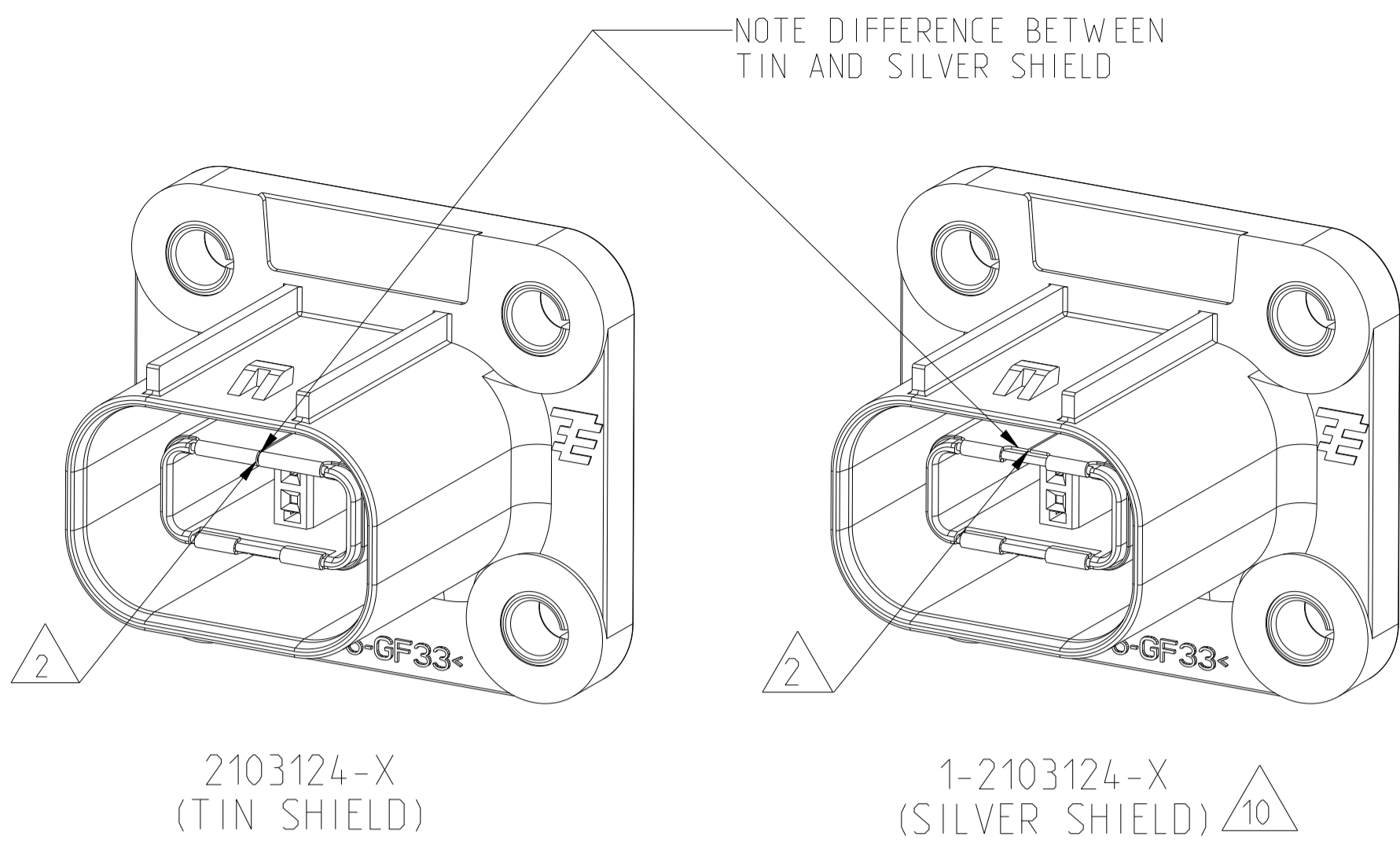
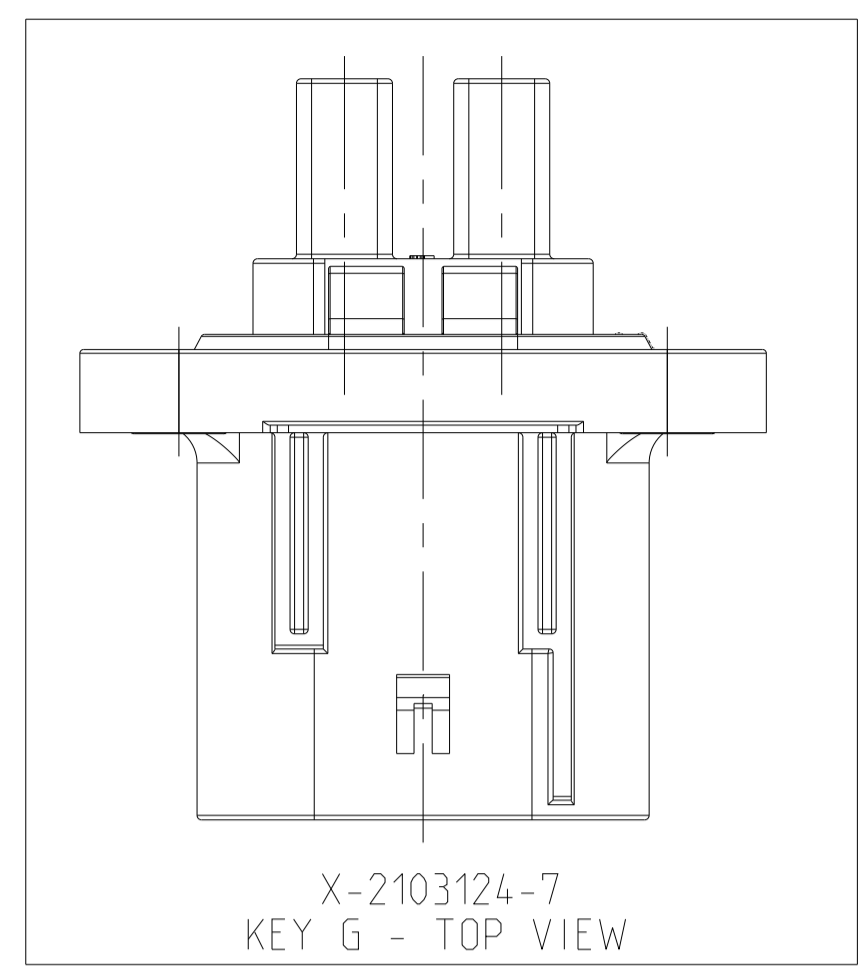
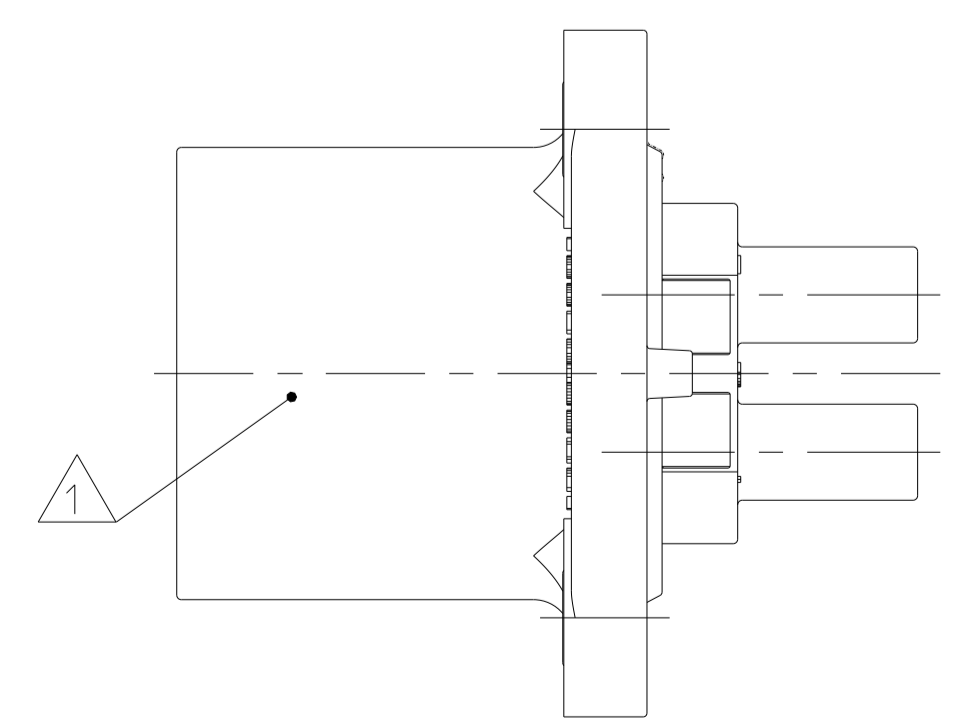
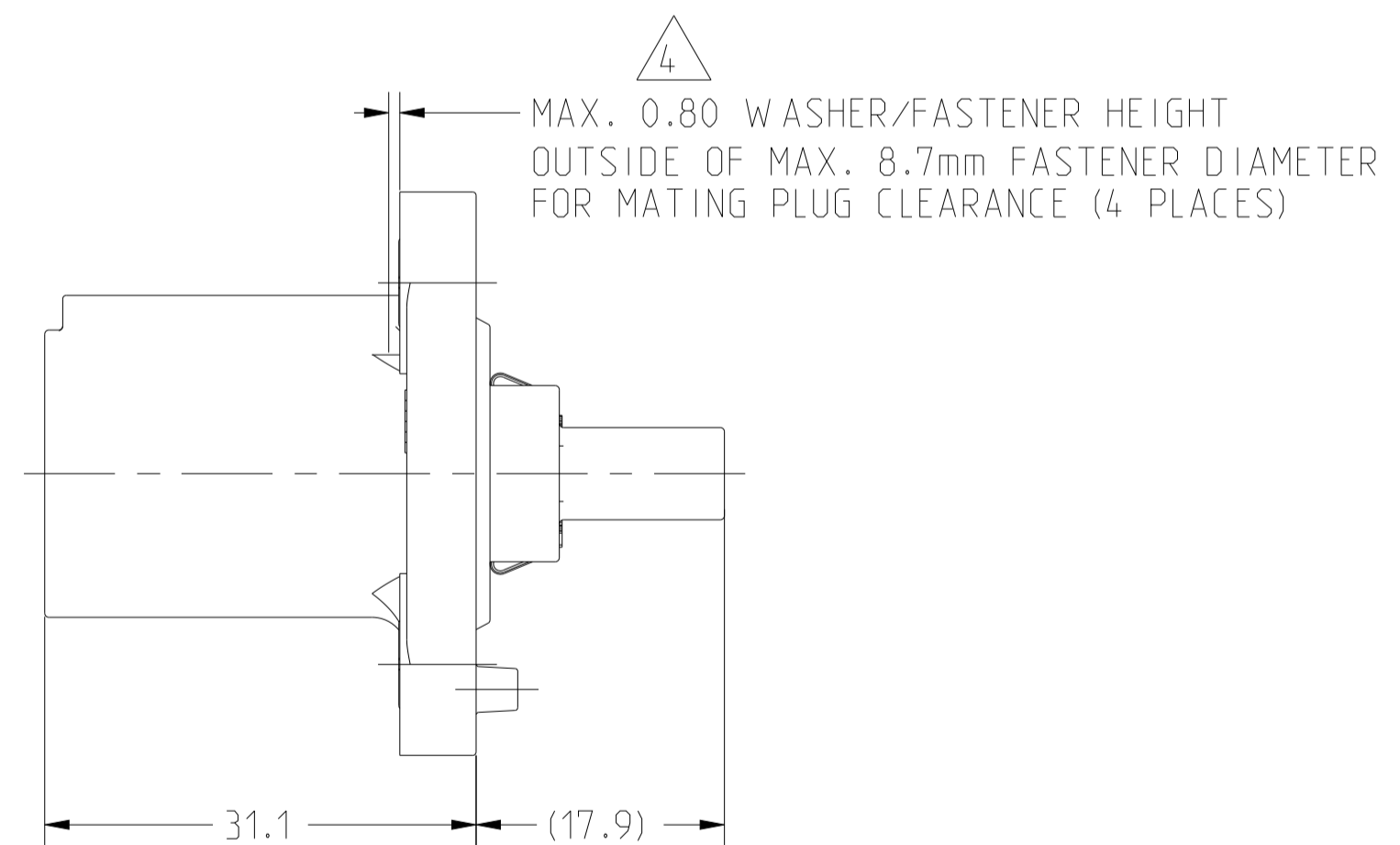


REVISIONS				
P	LTN	DESCRIPTION	DATE	OWN APVD
B2		SEE ECO-14-008515	06JUN2014	YS TD
B3		SEE ECN-22-154645	26MAY2022	JJH P.R
B4		SEE ECN-22-190630	16DEC2022	JJH P.R
B5		SEE ECN-23-202220	09MAR2023	JJH P.R



- 1 IDENTIFICATION MARKING ON THIS SURFACE CONTAINS ASSEMBLY P/N AND DATE CODE (YY/DD). TEXT ORIENTATION, SIZE, AND LOCATION CAN VARY AS LONG AS TEXT IS ON SURFACE SHOWN AND READABLE.
- 2 SHIELD SEAM CAN BE POSITIONED AS SHOWN OR ROTATED 180° FROM POSITION SHOWN.
- 3 NOTE DELETED
- 4 THESE DIMENSIONS DEFINE FASTENER SIZE LIMITS FOR PROPER COMPONENT FUNCTIONALITY. END USER MUST ENSURE FASTENER AND/OR WASHER DIAMETER IS 8.6mm MIN. FOR PROPER RETENTION. THESE ARE NOT PRODUCT FEATURES - NO INSPECTION REQUIRED FOR THESE ITEMS.
- 5 SURFACE FINISH APPLIES TO AREAS SHOWN IN MOUNTING INTERFACE SPECIFICATION
- 6 USE WITH 2.8mm BLADE TERMINAL P/N:
 2-2141598-2 FOR 1.0 - 2.5mm² WIRE
 2-2141600-2 FOR >2.5 - 4.0mm² WIRE
- 7 USE WITH MQS RECEPTACLE P/N:
 963715-6, 963715-5, 928999-6 OR 928999-5,
 DEPENDING ON WIRE SIZE AND MATING PLUG USED
- 8 NOTE DELETED
- 9 NOTE DELETED
- 10 SEE SHEETS 3 AND 4 FOR 2-2103124-X
- 11 POKA-YOKE FEATURE FOR INTERNAL CAMERA INSPECTION WHILE ASSEMBLY



2103124-1 SHOWN IN ALL VIEWS UNLESS NOTED
 REFER TO SHEET 2 FOR ADDITIONAL PART NUMBER VIEWS
 (REFER TO SHEET 3 AND 4 FOR 2-2103124-X)

MATERIAL	SHIELD FINISH	INDEX	ASSY PART NO.
PBT-GF30 (HEADER HOUSING)	SILVER	D	2-2103124-4
	SILVER	A	2-2103124-1
	SILVER	G	1-2103124-7
	SILVER	F	1-2103124-6
PA66-GF33 (HEADER HOUSING)	SILVER	E	1-2103124-5
	SILVER	D	1-2103124-4
	SILVER	B	1-2103124-2
	SILVER	A	1-2103124-1
	TIN	G	2103124-7
	TIN	F	2103124-6
	TIN	E	2103124-5
	TIN	D	2103124-4
TIN	B	2103124-2	
TIN	A	2103124-1	

THIS DRAWING IS A CONTROLLED DOCUMENT. OWN T. DEWITTE 30SEP2010
 CHK T. DEWITTE 30SEP2010
 APVD T. DEWITTE 15APR2011

DIMENSIONS: mm TOLERANCES UNLESS OTHERWISE SPECIFIED:
 0 PLC ±0.50
 1 PLC ±0.50
 2 PLC ±0.15
 3 PLC ±0.05
 4 PLC ±0.05
 ANGLES ±3°

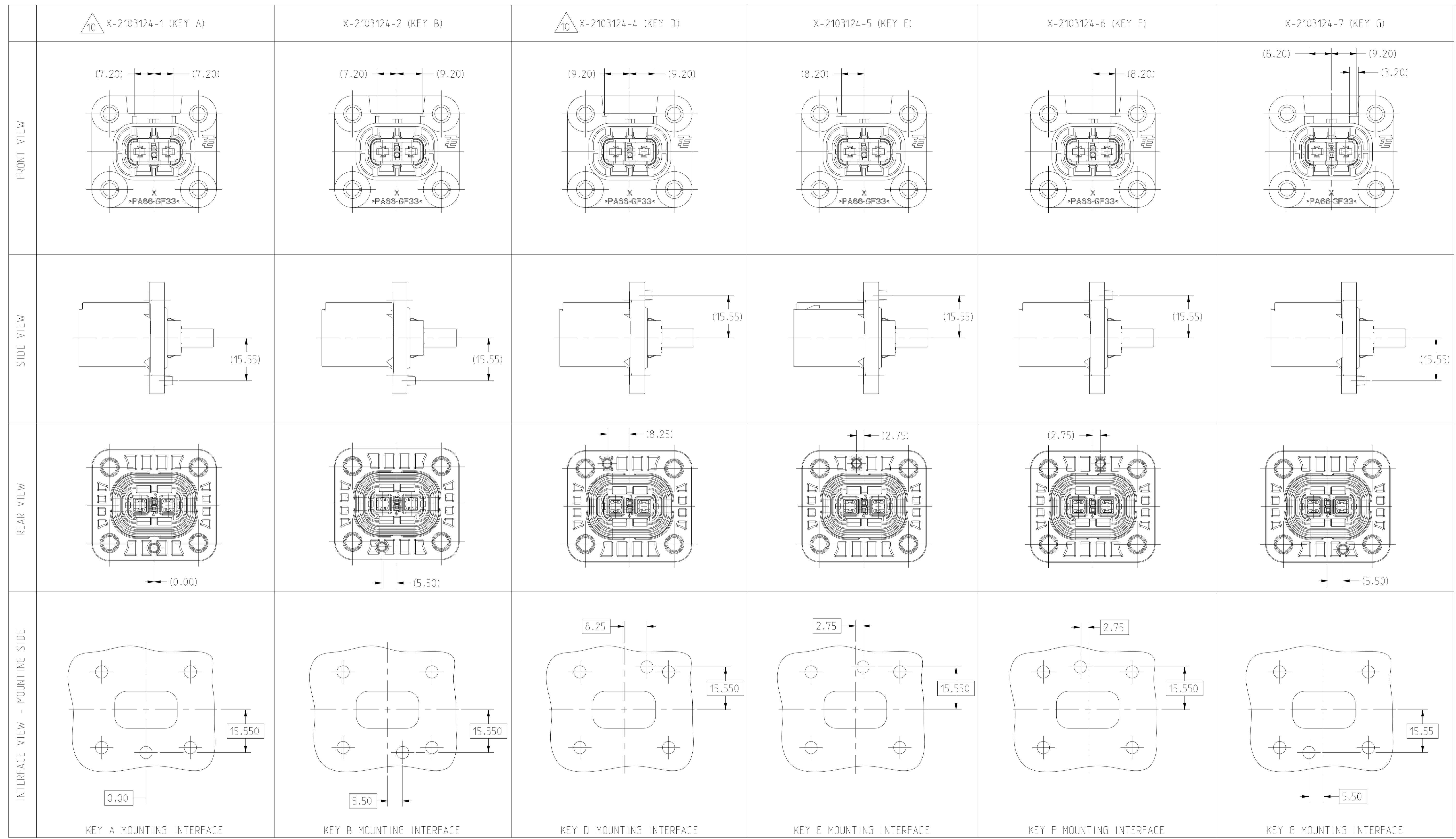
MATERIAL SEE TABLE FINISH SEE TABLE WEIGHT 22.7 g

THIS DRAWING IS A CONTROLLED DOCUMENT. CUSTOMER DRAWING

NAME HVA280 2P HEADER ASSY W/HVIL - PLASTIC 1 PIECE CHART DRAWING
 SIZE 408-10441 CAGE CODE DRAWING NO 00779 ©=2103124
 RESTRICTED TO

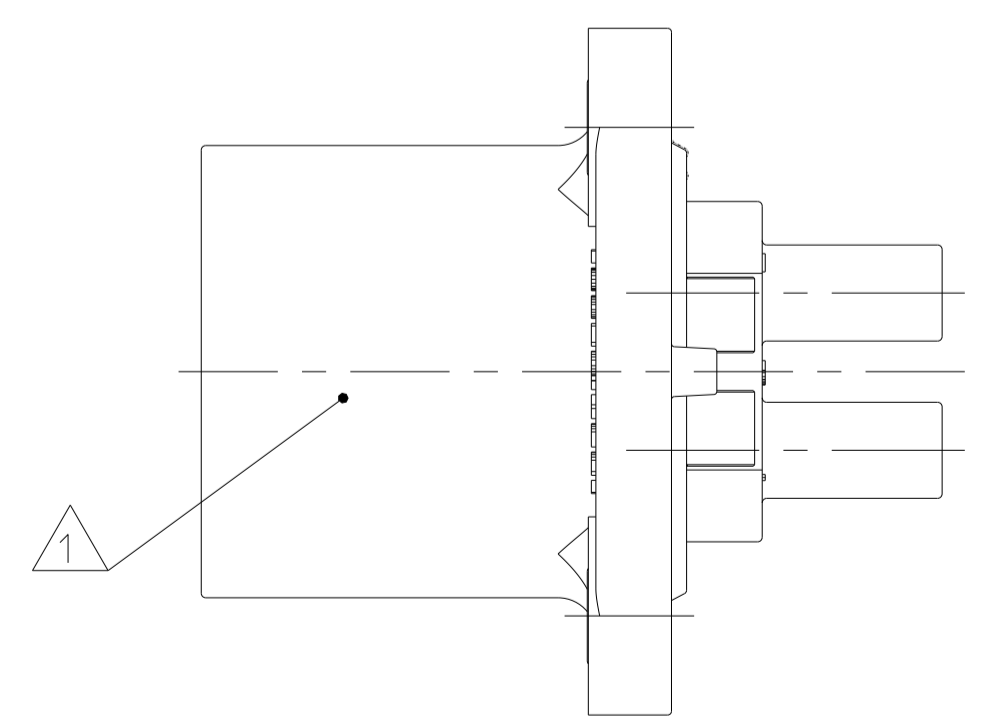
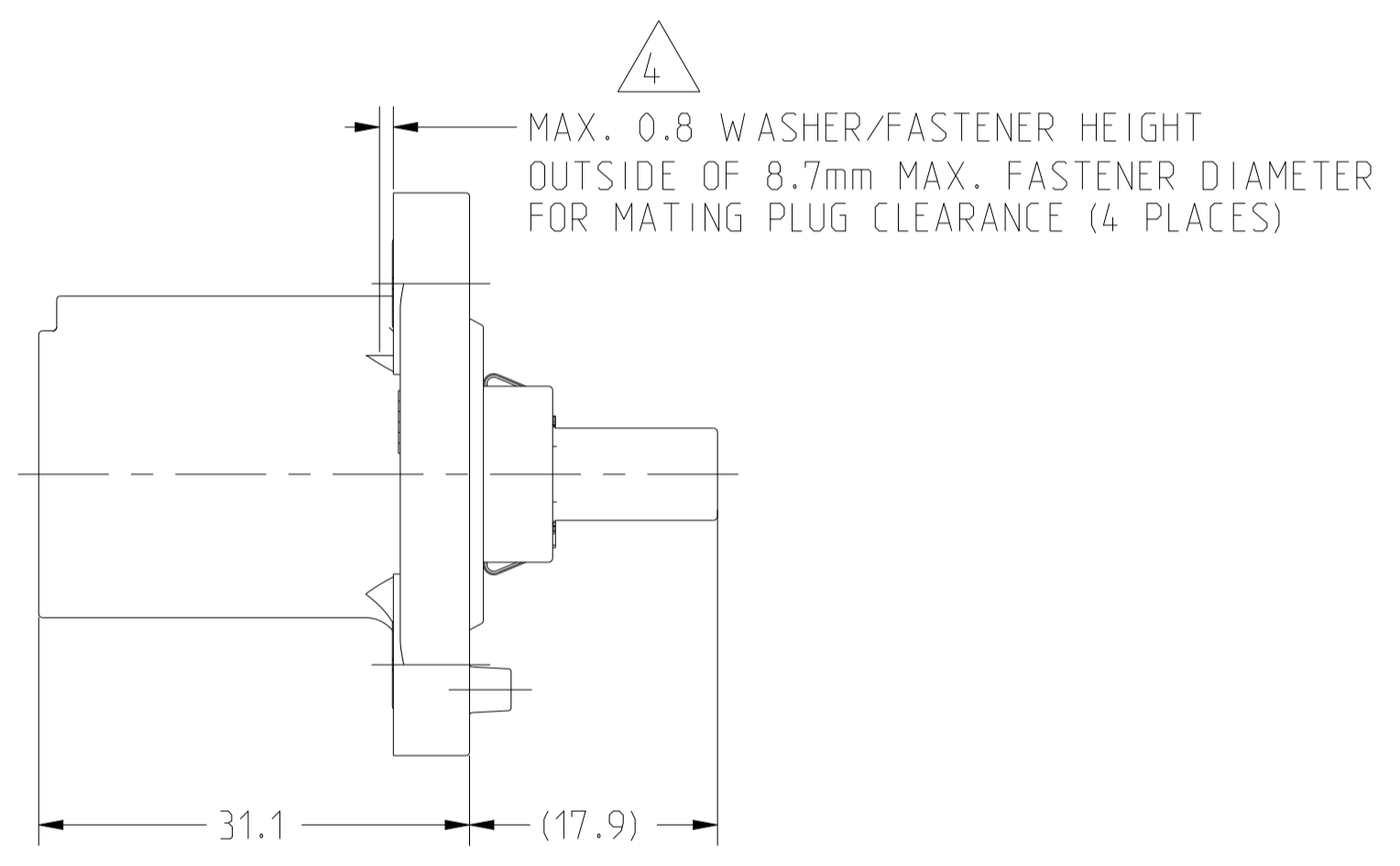
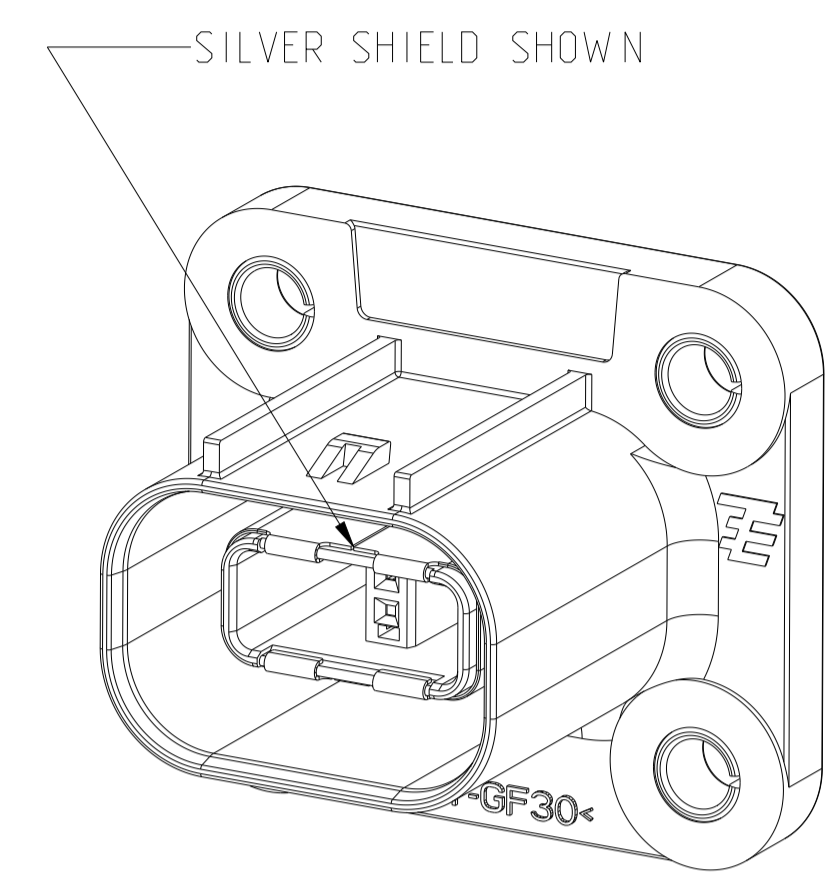
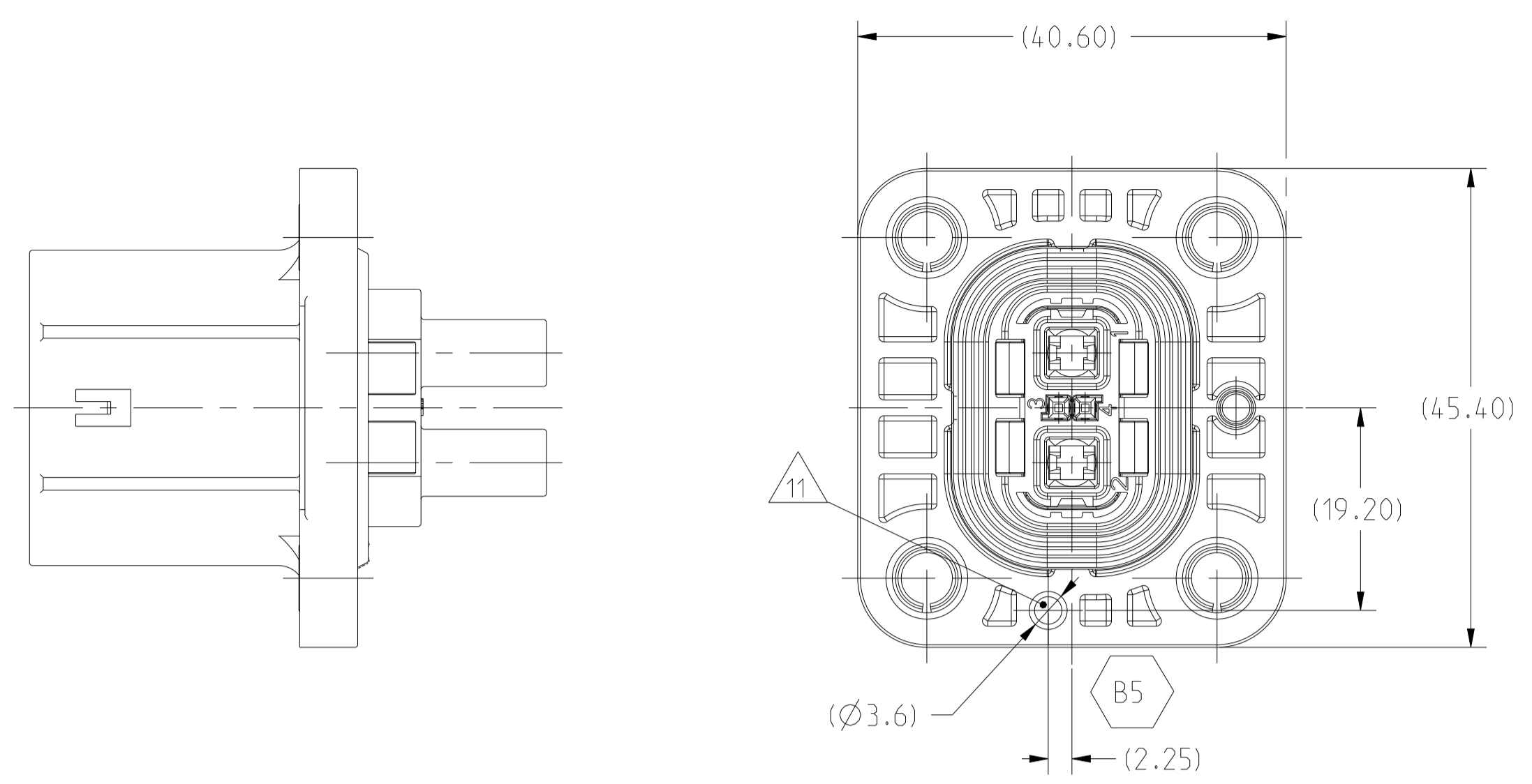
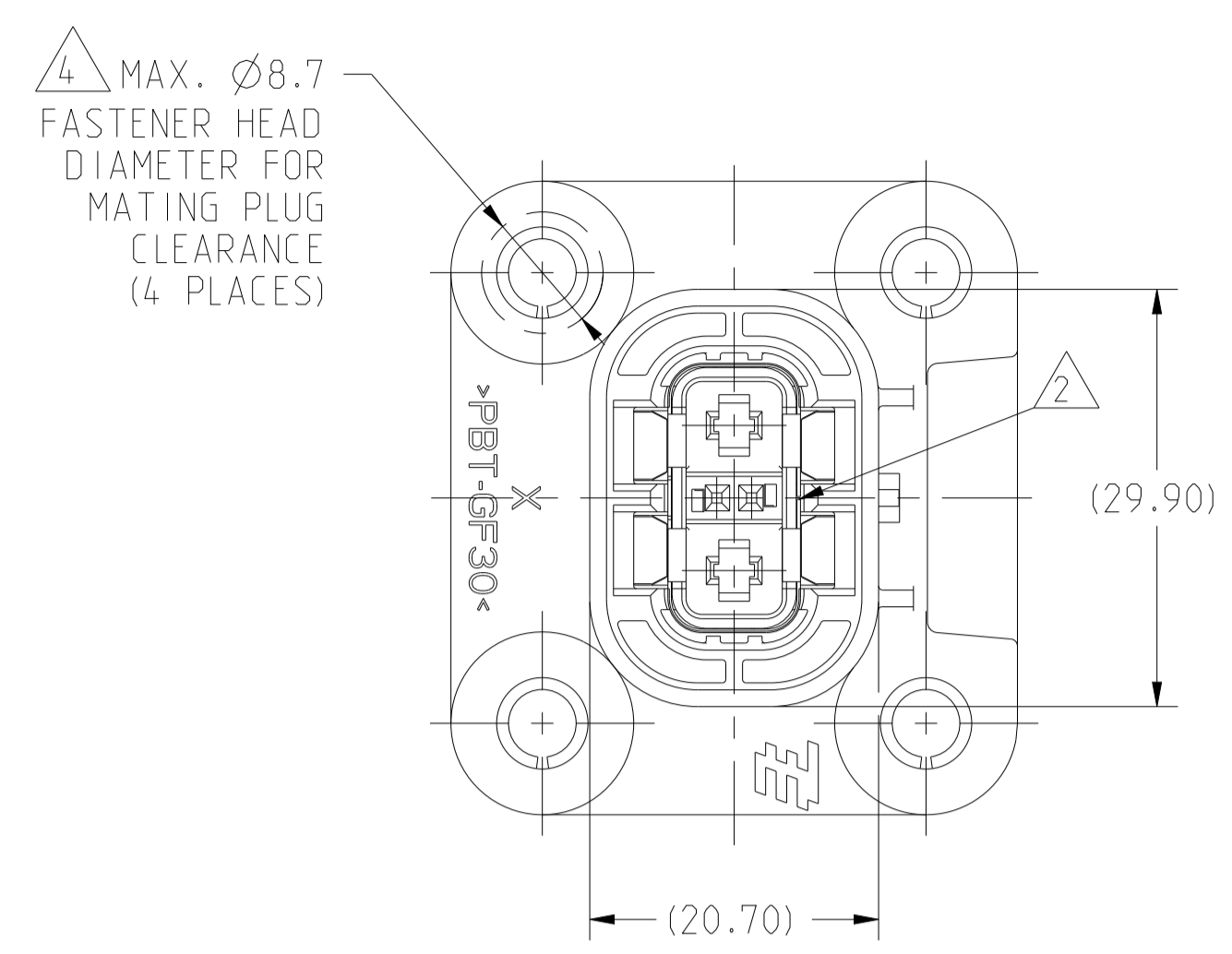
SCALE 2:1 SHEET 1 OF 4 REV B5

REVISIONS				
P	LTN	DESCRIPTION	DATE	APPD
-		SEE SHEET 1	-	-



THIS DRAWING IS A CONTROLLED DOCUMENT.		OWN T. DEWITTE 30SEP2010	 TE Connectivity
DIMENSIONS: mm		CHK T. DEWITTE 30SEP2010	
TOLERANCES UNLESS OTHERWISE SPECIFIED: 0 PLC ±0.50 1 PLC ±0.50 2 PLC ±0.15 3 PLC ±0.05 4 PLC ±0.05 ANGLES ±3°		APPD T. DEWITTE 15APR2011	NAME HVA280 2P HEADER ASSY W/HVIL - PLASTIC 1 PIECE CHART DRAWING
MATERIAL SEE TABLE Siehe Tabelle		APPLICATION SPEC 408-10441	SIZE A1
FINISH SEE TABLE Siehe Tabelle		WEIGHT 22.7 g	CAGE CODE DRAWING NO 00779 ©=2103124
		CUSTOMER DRAWING	RESTRICTED TO SCALE 2:1 SHEET 2 OF 4 REV B5

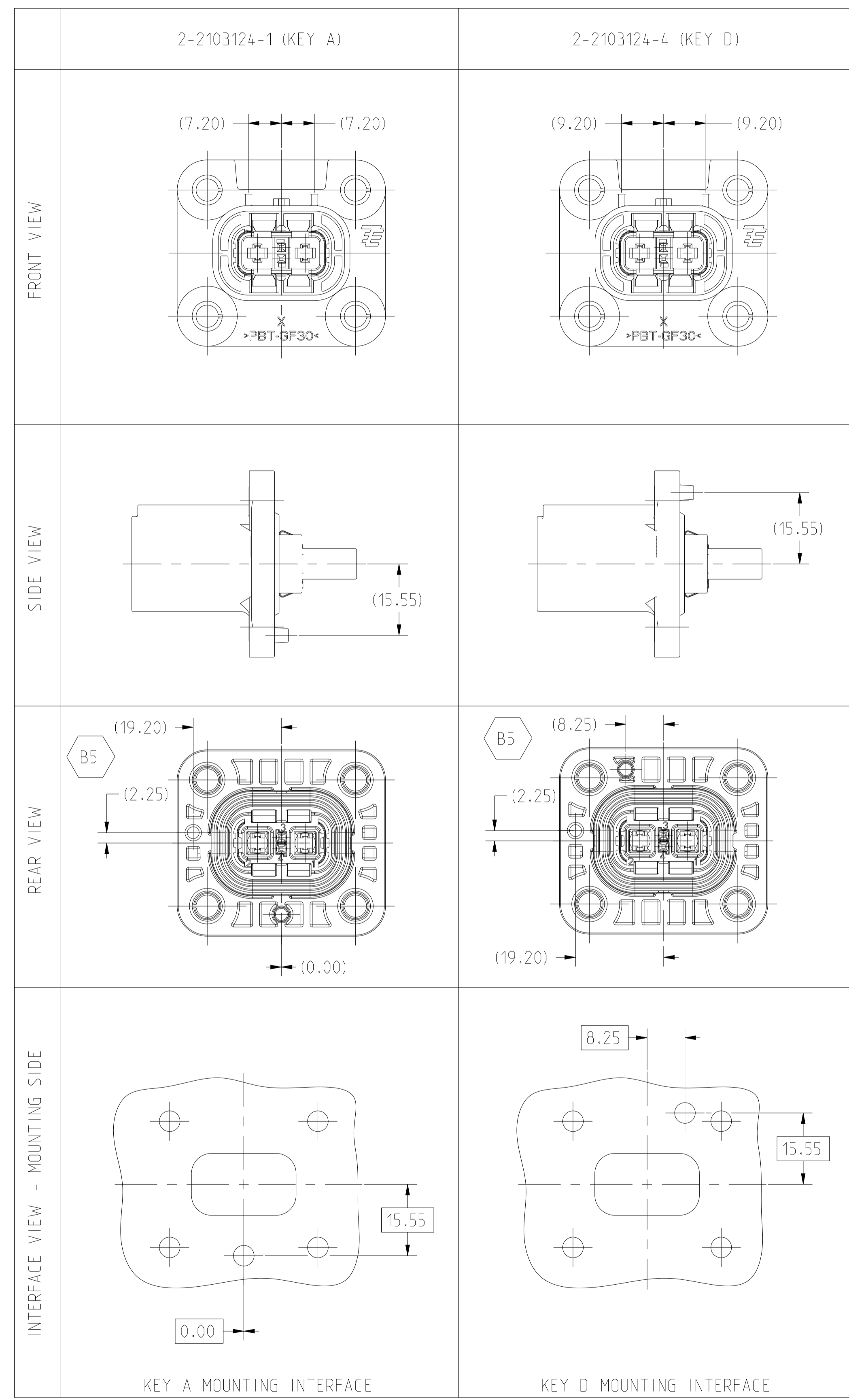
REVISIONS				
P	LTN	DESCRIPTION	DATE	APVD
-		SEE SHEET 1	-	-



2-2103124-1 SHOWN IN ALL VIEWS UNLESS NOTED REFER TO SHEET 4 FOR ADDITIONAL PART NUMBER VIEWS

THIS DRAWING IS A CONTROLLED DOCUMENT.		OWN T. DEWITTE 30SEP2010	TE Connectivity	
DIMENSIONS: mm		CHK T. DEWITTE 30SEP2010	NAME HVA280 2P HEADER ASSY W/HVIL - PLASTIC 1 PIECE CHART DRAWING	
TOLERANCES UNLESS OTHERWISE SPECIFIED: 0 PLC ±0.50 1 PLC ±0.50 2 PLC ±0.15 3 PLC ±0.05 4 PLC ± ANGLES ±3°		APVD T. DEWITTE 15APR2011	RESTRICTED TO	
MATERIAL SEE TABLE Siehe Tabelle		PRODUCT SPEC APPLICATION SPEC 408-10441	SIZE A1	CAGE CODE 00779
FINISH SEE TABLE Siehe Tabelle		WEIGHT 22.7 g	DRAWING NO. C=2103124	SCALE 2:1
		CUSTOMER DRAWING		SHEET 3 OF 4 REV B5

REVISIONS				
P	LTN	DESCRIPTION	DATE	APVD
-		SEE SHEET 1	-	-



THIS DRAWING IS A CONTROLLED DOCUMENT.

DIMENSIONS: mm 	TOLERANCES UNLESS OTHERWISE SPECIFIED: 0 PLC ±0.50 1 PLC ±0.50 2 PLC ±0.15 3 PLC ±0.05 4 PLC ± ANGLES ±3° FINISH	DWN: T. DEWITTE 30SEP2010 CHK: T. DEWITTE 30SEP2010 APVD: T. DEWITTE 15APR2011 PRODUCT SPEC APPLICATION SPEC 408-10441 WEIGHT: 22.7 g CUSTOMER DRAWING	NAME: HVA280 2P HEADER ASSY W/HVIL - PLASTIC 1 PIECE CHART DRAWING SIZE: A1 CAGE CODE: 00779 DRAWING NO: ©=2103124 RESTRICTED TO: B5
-----------------------	---	---	--

TE Connectivity

SCALE: 2:1 SHEET 4 OF 4 REV: B5