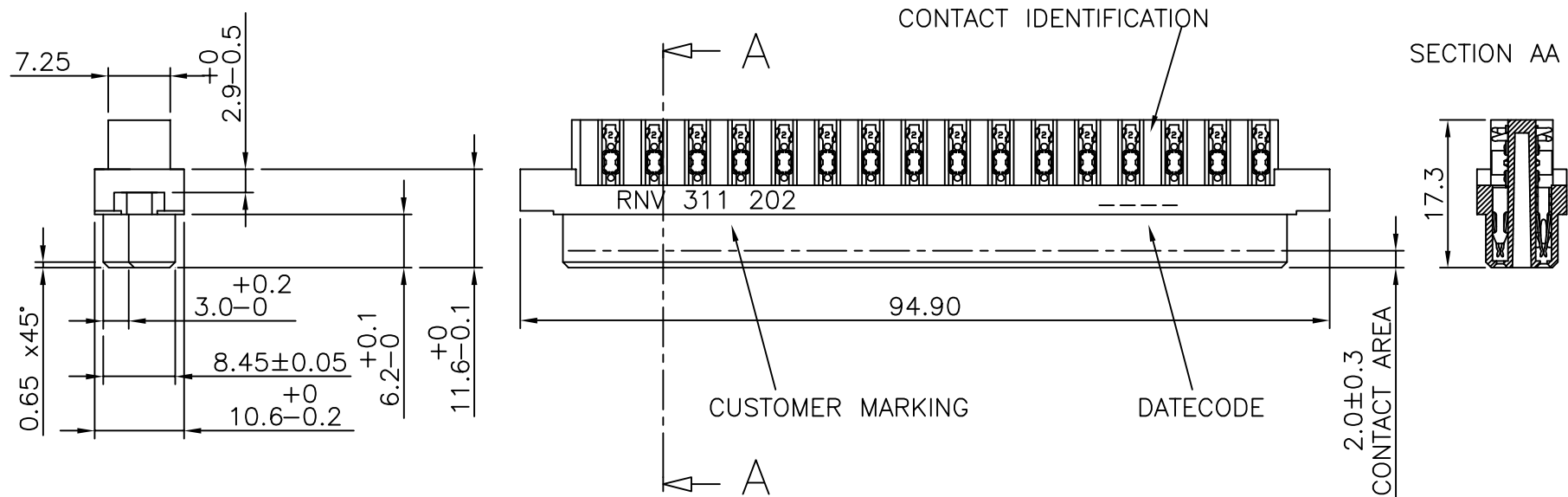


PRODUCT NUMBER	BPS8B96KKD200EC	LEADED PRODUCT
PRODUCT NUMBER	BPS8B96KKD200ECLF	LEAD FREE OR RoHS COMPATIBLE PRODUCT

**NOTES:-**  
 1. THE "LF" PRODUCTS MEET EUROPEAN UNION DIRECTIVES AND OTHER COUNTRY REGULATIONS AS DESCRIBED IN GS-22-008  
 2. LEAD FREE OR RoHS DIRECTIVE LABELING TO BE PROVIDED AS PER GS-14-920 FOR RoHS COMPATIBLE / LEAD FREE VERSION.



**PERFORMANCES CHARACTERISTICS**

VOLTAGE RATING : 250 VAC (rms)  
 CURRENT RATING : 1,5 A AT 25 °C, 1 A AT 70 °C.  
 INSULATION RESISTANCE : 1000 MΩ INITIAL, 100 MΩ MIN. AFTER TEST.  
 DIELECTRIC WITHSTANDING VOLTAGE : 1000 VAC (rms).  
 CONTACT RESISTANCE : 15 mΩ MAX. INITIAL, 5 mΩ MAX. RISE OF INITIAL VALUE AFTER TEST.  
 OPERATING TEMPERATURE\*: -40 °C TO +125 °C.  
 INSERTION FORCE : 1 N MAX./CONTACT.  
 WITHDRAWAL FORCE : 0,2 N MIN./CONTACT.

\*DEPENDING ON THE CABLE, THE MAX. TEMPERATURE CAN BE LOWER.  
 FOR STANDARD PVC INSULATED CABLE : 105 °C MAX.

**CONSTRUCTION**

BODY MATERIAL : GLASS-REINFORCED THERMOPLASTIC (UL94V-0).  
 CONTACT MATERIAL : PHOSPHOR BRONZE.  
 CONTACT FINISH : 3 μm Au MIN. OVER 2 μm Ni MIN. IN CONTACT AREA, 3 μm SnPb MAX. OVER 1,5 μm Ni MAX. ON I.D.C TERMINAL FOR LEADED PRODUCTS Sn (MATTE TIN) OVER Ni ON I.D.C TERMINAL FOR LEAD FREE PRODUCTS

**PART NUMBERS**

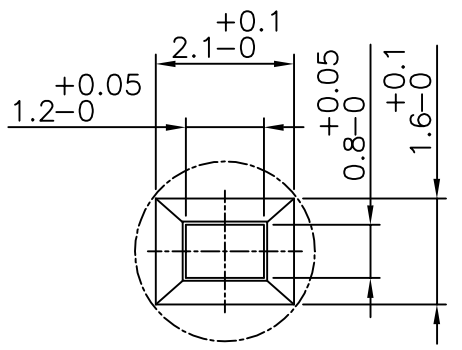
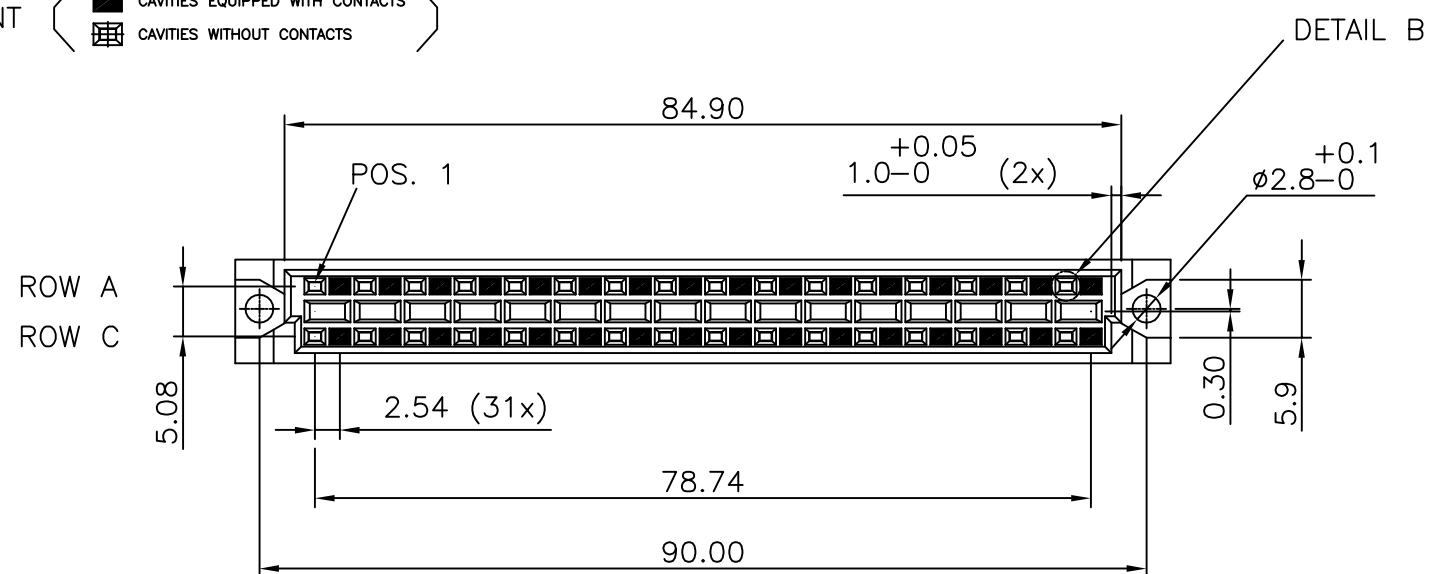
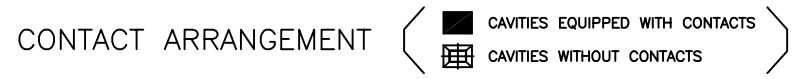
BPS8B96KKD200EC CONNECTOR FOR WIRE SIZE AWG24, AWG26.  
 BPS8B96KKD200ECLF CONNECTOR FOR WIRE SIZE AWG24, AWG26.  
 (CONTACT IDENTIFICATION : 2).

**CUSTOMER MARKING**

PARTNUMBER ERICSSON : RNV 311 202

**DATECODE**

YEAR & WEEKCODE EXAMPLE : 9950  
 OTHER REQUIREMENTS IN ACC. WITH: ERICSSON SPEC. 1301 RNV 311 UEN



mat'l. code		surface		tolerance		projection		product family	
SEE NOTE		ISO 1302		ISO 406 ISO 1101		mm		BPS8	
ltr	ecn no	dr	date	tolerances unless otherwise specified		mm		title	
A	F00819	DLE	2000-10-20	angles	linear	mm		ASSY BPS8	
B	I05-0169	MINI	2005-09-22	±1'		mm		96 POS. A,C LOADED SPECIA	
C	I06-0067	MINI	2006-06-01	±1'		mm		scale -	
sheet index		revision		D.LEGRAND		2000-10-20		dwg no	
1		C		enr		J.F.NOTTEAU		sheet 1 of 1	
				chr		RAKHEE GEORGE		size	
				appd		RAKHEE GEORGE		A3	
								type	
								Product Customer Drawing	



Copyright FCI