

Type BLC-09-GTC Fuse Block Cover ANE / ANF Limiter Fuses



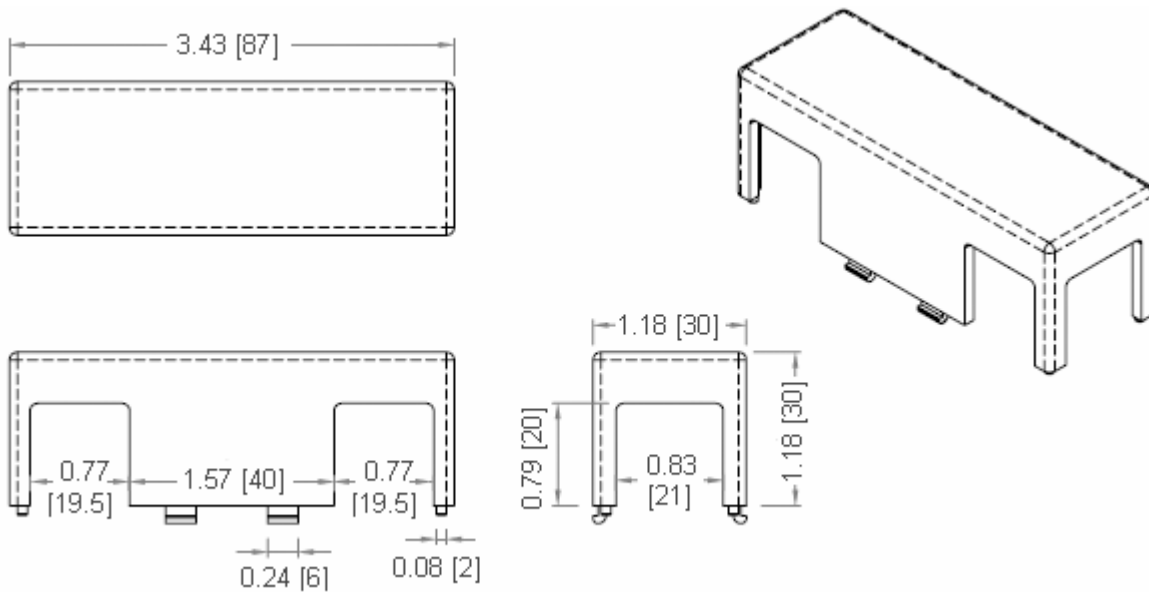
www.optifuse.com (619) 593-5050

Specifications:

Cover: Polycarbonate UL 94V0

To be used with Fuse Block: BLC-09-GT

Mechanical Dimensions: Inches [mm]



Warning:



-Operation beyond the specified maximum ratings or improper use may result in damage and possible electrical arcing and/or flame.

-Avoid contact of device with chemical solvent. Prolonged contact will damage the device performance.