

Connector - SACC-M12MR-12SOL-PG 9-M - 1404421

Please be informed that the data shown in this PDF Document is generated from our Online Catalog. Please find the complete data in the user's documentation. Our General Terms of Use for Downloads are valid (<http://phoenixcontact.com/download>)



Connector, Universal, 12-position, Plug angled M12, A-coded, Solder connection, Knurl material: Zinc die-cast, nickel-plated, Cable gland Pg9, External cable diameter 6 mm ... 8 mm

Product Features

- Safe use in the field, thanks to a high degree of protection
- Flexible: connectors for on-site assembly
- Save space – with high-pos. connectors



Key Commercial Data

Packing unit	1 pc
Weight per Piece (excluding packing)	20.8 g
Custom tariff number	85366990
Country of origin	Germany

Technical data

Dimensions

External cable diameter	6 mm ... 8 mm
Stripping length of the sheath	20 mm
Stripping length of the individual wire	4 mm

Ambient conditions

Ambient temperature (operation)	-40 °C ... 85 °C (Plug / socket)
Degree of protection	IP67

General

Rated current at 40°C	1 A
Rated voltage	30 V
Number of positions	12
Insulation resistance	> 10 GΩ

Connector - SACC-M12MR-12SOL-PG 9-M - 1404421

Technical data

General

Coding	A - standard
Standards/regulations	M12 connector IEC 61076-2-101
Signal type/category	Universal
Status display	No
Overvoltage category	II
Pollution degree	3
Connection method	Solder connection
Conductor cross section	0.08 mm ² ... 0.25 mm ²
Conductor cross section AWG	28 ... 24
Insertion/withdrawal cycles	≥ 100
Torque	0.4 Nm (M12 knurl) 0.8 Nm ... 1 Nm (Pressure nut with coupling sleeve)
Tightening torque	Screw plug insert with sleeve housing as far it will go
Assembly instructions	The connector pin assignment can be rotated 90° to the cable outlet

Material

Flammability rating according to UL 94	HB
Contact material	CuZn
Contact surface material	Au
Contact carrier material	PA
Material of grip body	PBT
Material, knurls	Zinc die-cast, nickel-plated

Standards and Regulations

Standard designation	M12 connector
Standards/regulations	IEC 61076-2-101
Flammability rating according to UL 94	HB

Classifications

eCl@ss

eCl@ss 4.0	27140815
eCl@ss 4.1	27140815
eCl@ss 5.0	27143423
eCl@ss 5.1	27143423
eCl@ss 6.0	27279221
eCl@ss 7.0	27440104
eCl@ss 8.0	27440104

Connector - SACC-M12MR-12SOL-PG 9-M - 1404421

Classifications

ETIM

ETIM 3.0	EC002062
ETIM 4.0	EC002062
ETIM 5.0	EC002062

UNSPSC

UNSPSC 6.01	30211824
UNSPSC 7.0901	39121413
UNSPSC 11	39121413
UNSPSC 12.01	39121413
UNSPSC 13.2	39121413

Approvals

Approvals

Approvals

EAC / EAC

Ex Approvals

Approvals submitted

Approval details

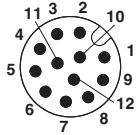
EAC

EAC

Drawings

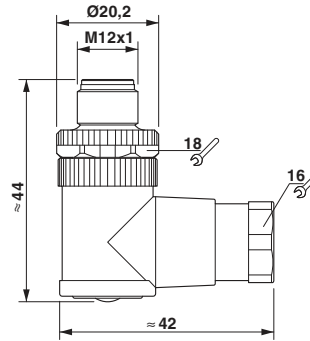
Connector - SACC-M12MR-12SOL-PG 9-M - 1404421

Schematic diagram



Pin assignment of M12 male connector, 12-pos.,
A-coded, view of pin side

Dimensional drawing



M12 x 1 male plug, angled