

1

2

3

4

5

6

7

A

A

B

B

C

C

D

D

E

E

F

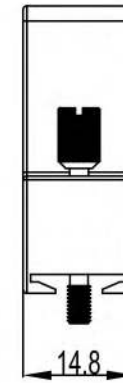
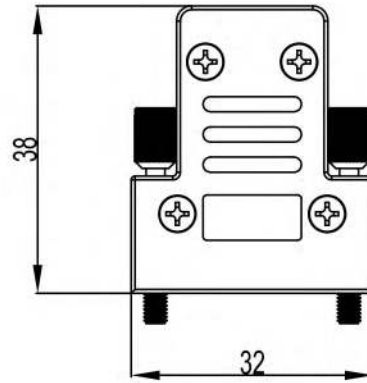
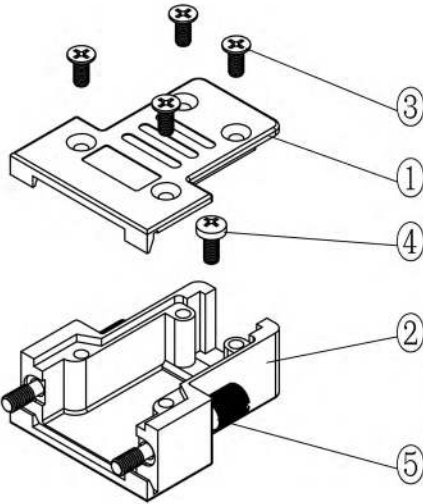
F

G

G

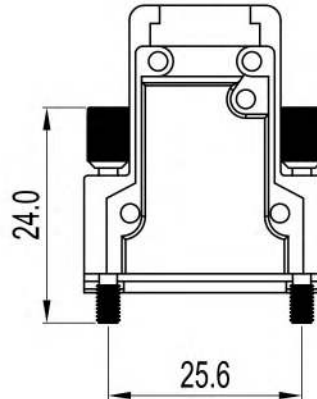
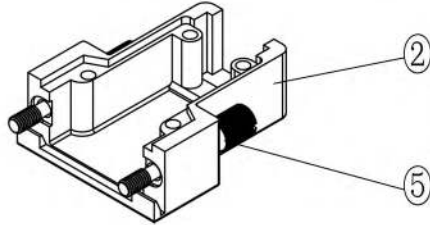
H

H



TECHNICAL SPECIFICATIONS

Material: Zinc
 Plating: Nickel over Copper
 Operating Temperature: -40°C to +120°C
 Thumbscrews: UNC 4-40
 No. of contacts: 09-15-25



Item	QTY	Part description
1	1	Upper Cover
2	1	Lower Cover
3	4	M2.5x6 CSK Screw
4	1	M2.5x6 Pozi Screw
5	2	UNC 4-40x24 Jackscrew

RoHS compliant
 Unit: mm

Scale	Free				Date	Name	Customer-No.	
TOLERANCE					Drawn	17.08.2017	S.Bölling	
0~6	±0.10				Approved	17.08.2017	S.Bölling	
6~30	±0.20							
30~120	±0.30							
120~400	±0.50							
DIM	Tol							
Angle	±1°	Ⓢ	Drawn	17.08.2017				S.Bölling
Angle	Tol	Id.	Modification	Date				Name

Customer-No.
 ASSMANN WSW-No.
ACOV-SUB-09MB6

Drawing-No.
ASS_5247_CO rev00
 Replace
 Sheet 1/3

1

2

3

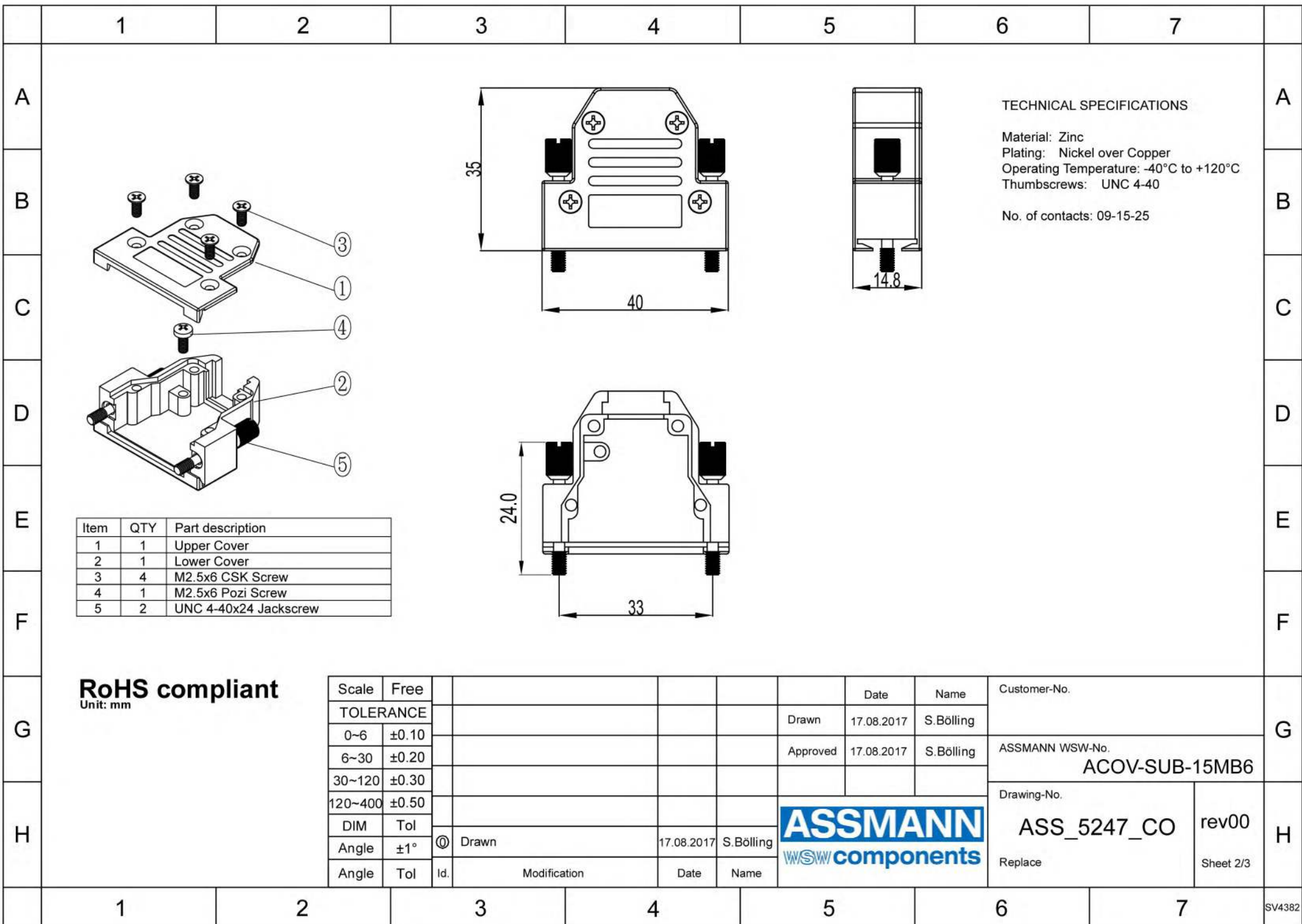
4

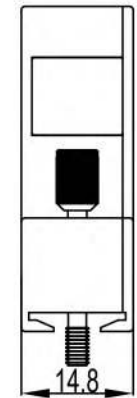
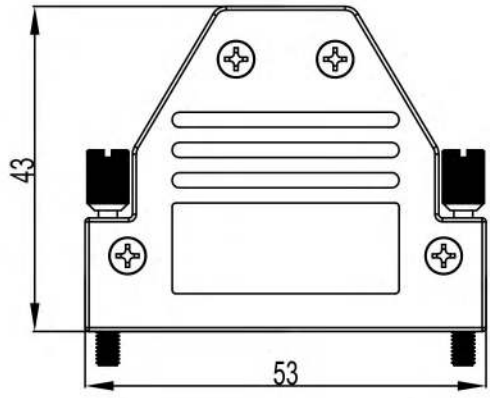
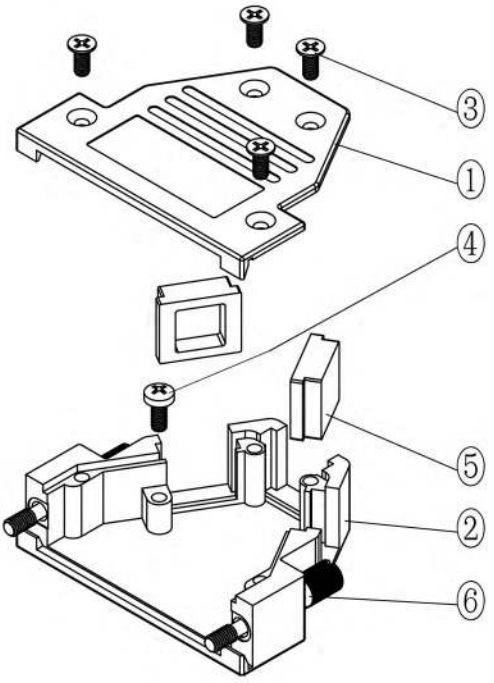
5

6

7

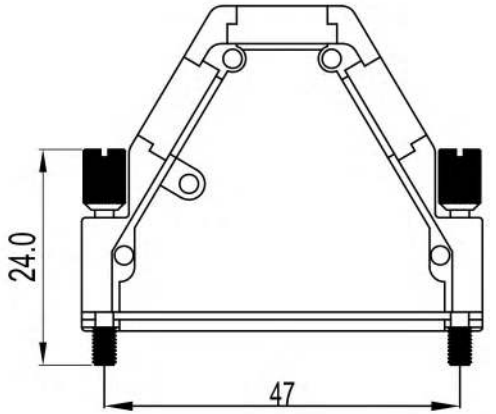
SV4382





TECHNICAL SPECIFICATIONS

Material: Zinc
 Plating: Nickel over Copper
 Operating Temperature: -40°C to +120°C
 Thumbscrews: UNC 4-40
 No. of contacts: 09-15-25



Item	QTY	Part description
1	1	Upper Cover
2	1	Lower Cover
3	4	M2.5x6 CSK Screw
4	1	M2.5x6 Pozi Screw
5	2	Blanker
6	2	UNC 4-40x24 Jackscrew

RoHS compliant
 Unit: mm

Scale	Free				Date	Name	Customer-No.	
TOLERANCE					Drawn	17.08.2017	S.Bölling	
0~6	±0.10				Approved	17.08.2017	S.Bölling	
6~30	±0.20							
30~120	±0.30							
120~400	±0.50							
DIM	Tol							
Angle	±1°	Ⓢ	Drawn	17.08.2017				S.Bölling
Angle	Tol	Id.	Modification	Date				Name

Customer-No.
 ASSMANN WSW-No.
ACOV-SUB-25MB6
 Drawing-No.
ASS_5247_CO rev00
 Replace
 Sheet 3/3