

10

9

8

7

6

5

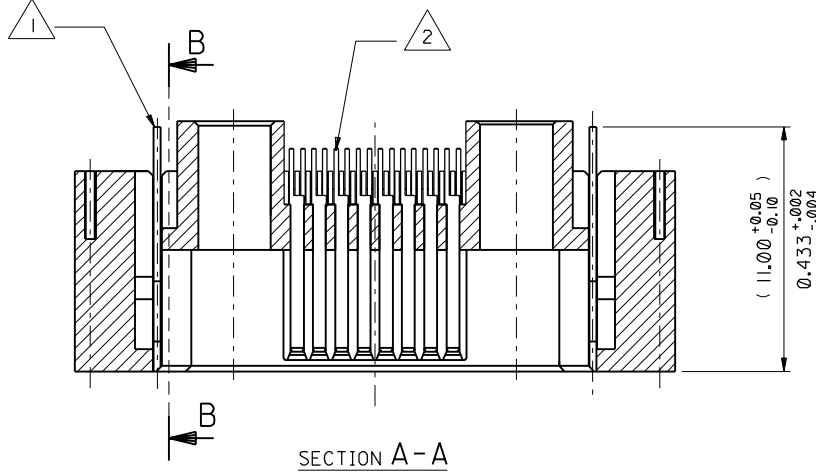
4

3

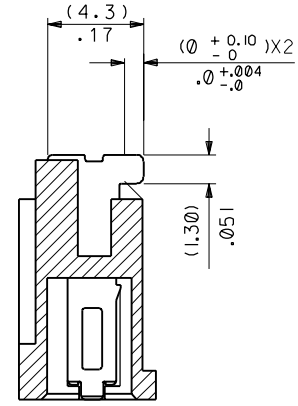
2

1

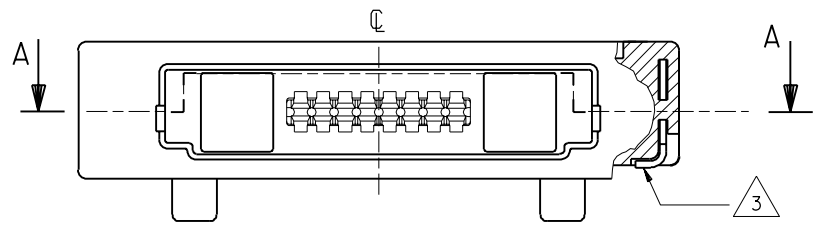
PART NO. SDA-90811-0111  
DWG. NO. 90811-0111



SECTION A-A



SECTION B-B



C

FOR MISSING DIMENSIONS SEE DRAWING SDA-90811-0109

2	A
1	A
SHL.	REV.

FOR PREVIOUS DRAWING ISSUES SEE MRI.

ORIGINAL RELEASE ECN E50483 95.04.27 HDU	DIMENSIONS SHOWN ( METRIC ) INCH UNLESS OTHERWISE SPECIFIED TOLERANCES: ANGULAR ± 1/2°	DRWG BY <b>HDU</b>
LTR REVISIONS	3 PLACE ± <b>.002</b>	CHK'D BY
	2 PLACE ± <b>.004</b> ± <b>0.05</b>	
A	1 PLACE ± <b>0.10</b>	APP'D BY
	DRAFT WHERE APPLICABLE MUST REMAIN WITHIN DIMENSIONS	SCALE
	DESIGN DIMENSION <input checked="" type="checkbox"/> (MM) (PRIMARY) <input type="checkbox"/> IN.	5:1
	EQUIVALENT DIMENSION <input type="checkbox"/> (MM) (SECONDARY) <input checked="" type="checkbox"/> IN.	

REVISE ONLY ON CAD SYSTEM		THIS DRAWING CONTAINS INFORMATION THAT IS PROPRIETARY TO MOLEX INC. & SHOULD NOT BE USED WITHOUT WRITTEN PERMISSION	
TITLE <b>I/O CONNECTOR FOR MOBILE PHONE</b>			
MOLLEX MOLEX EUROPE		SHEET NO. DATE 10F 2 95/04/27	
PART NO. <b>90811-0111</b>	DWG NO. <b>SDA-90811-0111</b>	SIZE <b>B</b>	

7132-1283

10

9

8

7

6

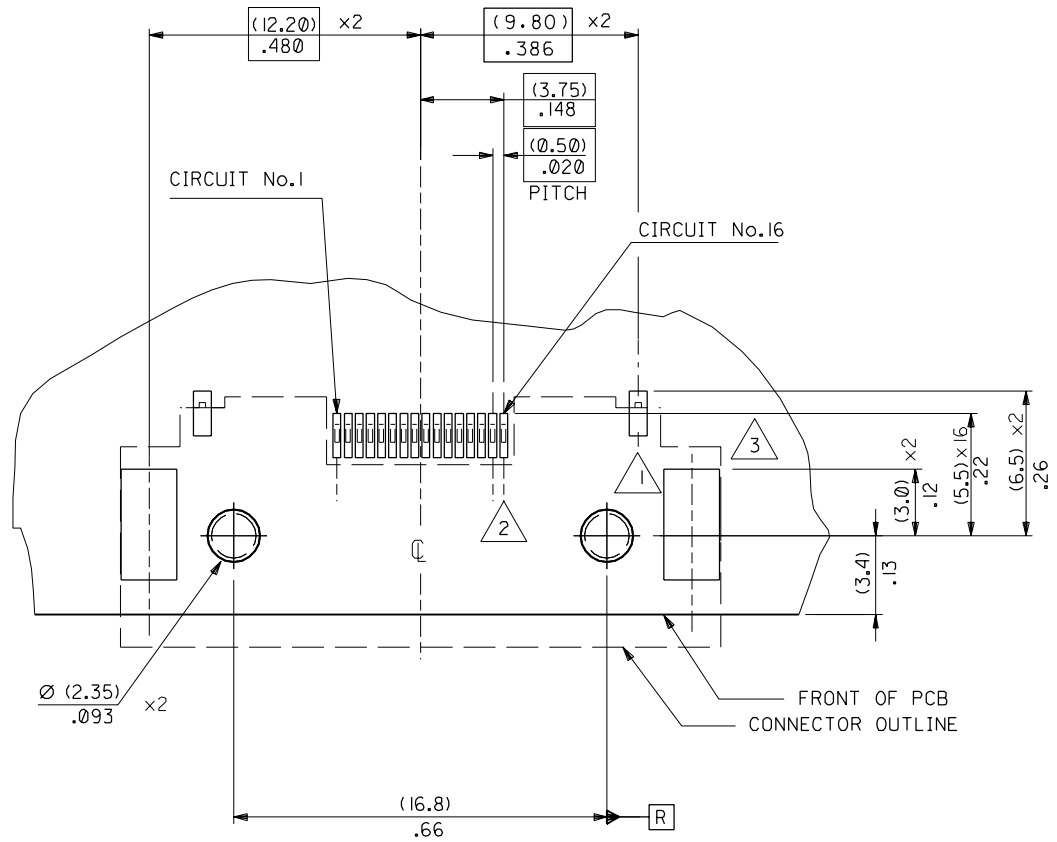
5

4

3

2

1



COMPONENT	PCB PAD DIMENSION	QTY
LOCKING LATCHES	(0.80)/.031 x (2.0)/.079	$\Phi$ (0.10) / .004 R (x2)
SIGNAL CONTACTS	(0.35 $\pm$ 0.05) / .014 $\pm$ 0.002 x (2.0) / .08	$\Phi$ (0.10) / .004 R (x16)
SMT RETENTION PADS	(2.50) / .098 x (5.0) / .197	$\Phi$ (0.10) / .004 R (x2)

FOR PREVIOUS  
DRAWING ISSUES  
SEE MRI.

A SEE SHEET I.

LTR	REVISIONS	DIMENSIONS SHOWN ( METRIC ) INCH	
		INCH	( METRIC )
		3 PLACE $\pm$ .002	
		2 PLACE $\pm$ .004	$\pm$ 0.05
		1 PLACE	$\pm$ 0.10
		DRAFT WHERE APPLICABLE MUST REMAIN WITHIN DIMENSIONS	
		DESIGN DIMENSION (PRIMARY)	<input type="checkbox"/> (MM) <input type="checkbox"/> IN.
		EQUIVALENT DIMENSION (SECONDARY)	<input type="checkbox"/> (MM) <input type="checkbox"/> IN.

DRWG BY  
**HDU**

CHK'D BY

APP'D BY

SCALE  
**5:1**

REVISE ONLY ON CAD SYSTEM		SH.	REV.
CAD/CAM FILENAME P9081111 DGN		THIS DRAWING CONTAINS INFORMATION THAT IS PROPRIETARY TO MOLEX INC. & SHOULD NOT BE USED WITHOUT WRITTEN PERMISSION	
TITLE <b>I/O CONNECTOR FOR MOBILE PHONE</b>			
<b>MOLEX EUROPE</b>		SHEET NO. <b>20F</b>	DATE <b>95/04/27</b>
PART NO. <b>90811-0111</b>	DWG NO. <b>SDA-90811-0111</b>	SIZE <b>B</b>	