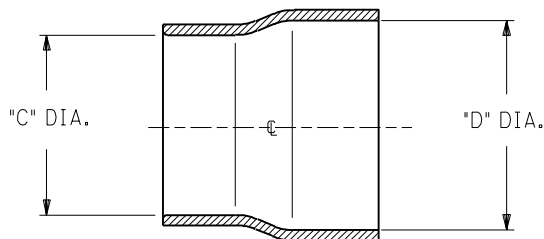
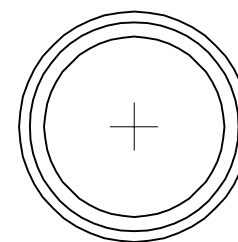
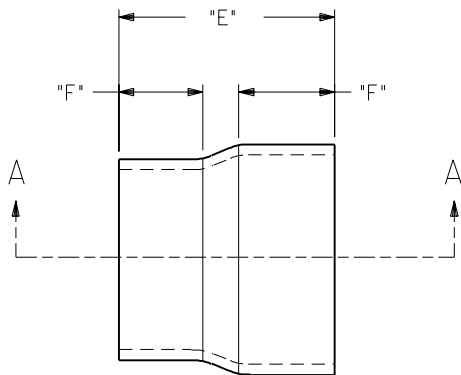
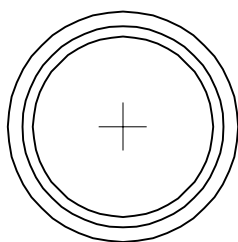
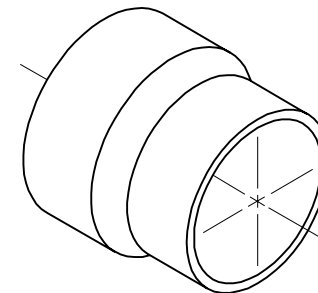


NOTES:

1. MATERIAL: STEEL, ANNEALED, .020±.001 THICK
2. PLATING: .000200 IN. MIN. BRIGHT TIN OVER .000100 IN. MIN. COPPER OVERALL.
3. PRODUCT CONFORMS TO PRODUCT SPECIFICATION PS-71182.
4. PACKAGING: PRODUCT IS BULK PACKAGED



SECTION A-A

PART #	CABLE DIA. RANGE	"C"	"D"	"E"	"F"	USES EMI CAN KIT NUMBER
73772-0001	.246-.321 (6.25-8.16)	.324 (8.23)	.437 (11.10)	.450 (11.43)	.191 (4.85)	71755-1001 88789-9332 88789-9333
73772-0002	.322-.354 (8.17-9.00)	.375 (9.53)	.437 (11.10)	.450 (11.43)	.191 (4.85)	71755-1000 88789-9333
73772-0003	.355-.387 (9.01-9.84)	.392 (9.96)	.505 (12.83)	.565 (14.35)	.235 (5.97)	71755-1000
73772-0004	.388-.420 (9.85-10.67)	.432 (10.97)	.505 (12.83)	.565 (14.35)	.235 (5.97)	71755-1000

ADDED KIT #15
 EC No. LUT2001-0277
 DRWNSCHMIDGA 00090905
 CHK: TMCLELL 00090906
 APPR: NELSON 00090907

QUALITY SYMBOLS
 MAJOR
 CRITICAL
 REV

GENERAL TOLERANCES: (UNLESS SPECIFIED)
 4 PLACES ±0.00 ±.00
 3 PLACES ±0.00 ±.015
 2 PLACES ±0.38 ±.
 1 PLACE ±0.00 ±.
 ANGULAR: ± 1/2°
 DRAFT WHERE APPLICABLE MUST REMAIN WITHIN DIMENSIONS

SCALE 5 : 1
 DESIGN UNITS
 mm INCH
 DRAWN BY & DATE
 PMURPHY 97/03/26
 CHECKED BY & DATE
 JNELLI GA 97/03/26
 APPROVED BY & DATE
 JNELLI GA 97/03/26
 CAD FILENAME
 73772S1.DGN

DIMENSIONS:
 mm INCH
 mm ONLY
 THIRD ANGLE PROJECTION
 TITLE: MICROCROSS, P&D AND DVI CRIMP FERRULES SALES DRAWING
 MOLEX INCORPORATED
 MATERIAL NO. SEE CHART
 DRAWING NO. SD-73772-000
 SHEET NO. 1 OF 1
 SIZE C