

MATERIAL NO.	ENGINEERING NO.	FINISHED LENGTH
1300060156	102002A01F030	3 FT. (0.91 M)
1300060162	102002A01F120	12 FT. (3.66 M)
1300060168	102002A01F200	20 FT. (6.10 M)

**CABLE LENGTH TOLERANCES**

<.3M [1FT]: +19mm-0 [ +.75in-0]

.3 - .9M [1 - 3FT]: +44.5mm-0 [+1.75in-0]

.9 - 1.8M [3 - 6FT]: +55.6mm-0 [+2.19in-0]

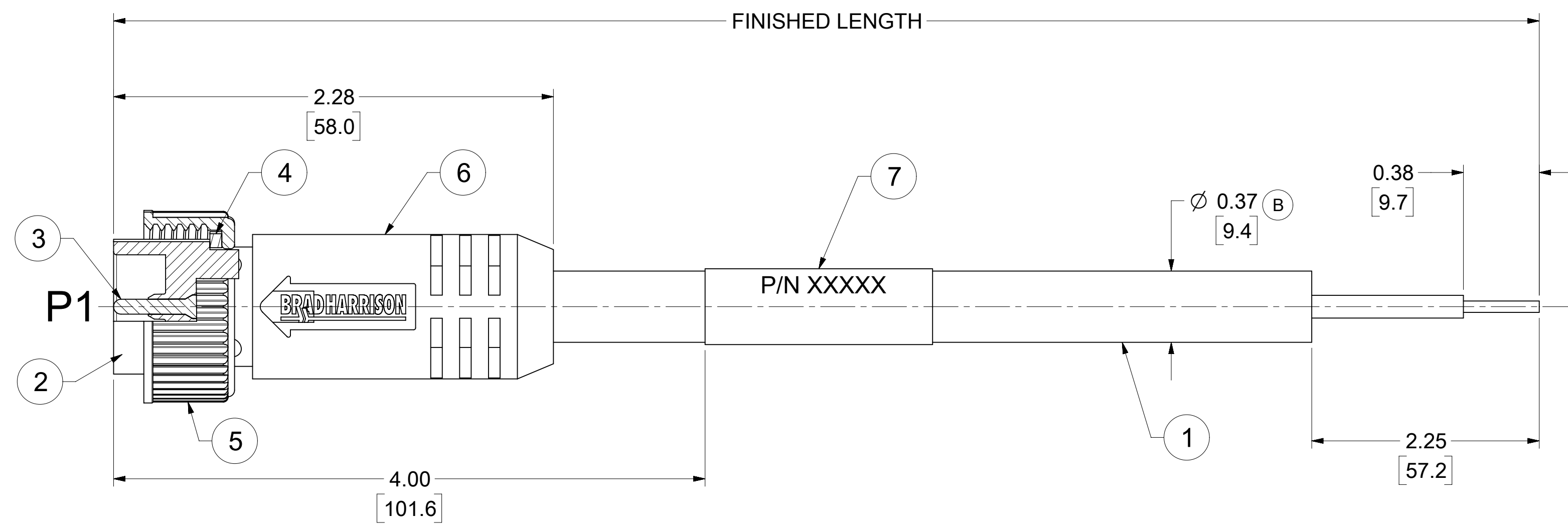
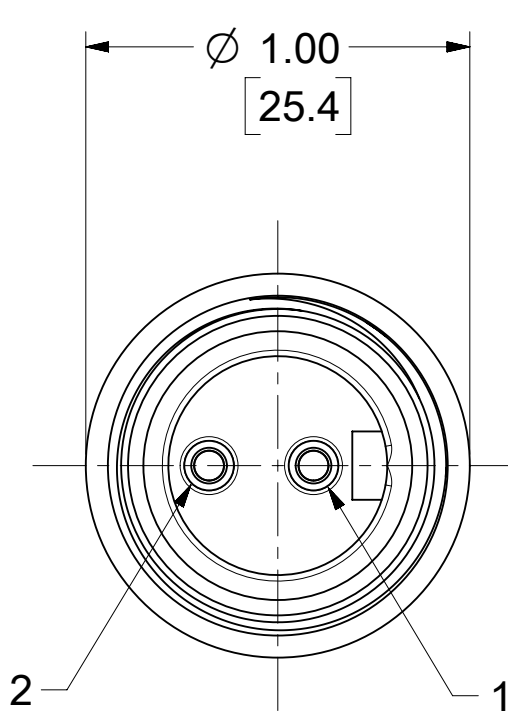
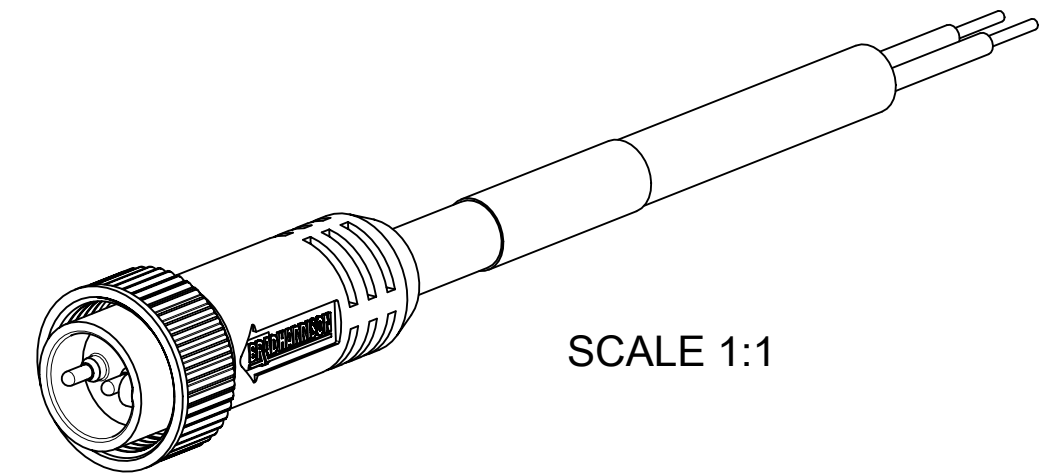
1.8 - 3.7M [6 - 12FT: +88.9mm-0 [+3.50in-0]

3.7 - 7.3M [12 - 24FT]: +165.1mm-0 [+6.50in-0]

7.3-14.6M [24 - 48FT]: +317.5mm-0 [+12.50in-0]

14.6 - 30.5M [48-100FT]: +622.3mm-0 [+24.50in-0]

OVER 30M [100FT] +2% OF FINISHED LENGTH



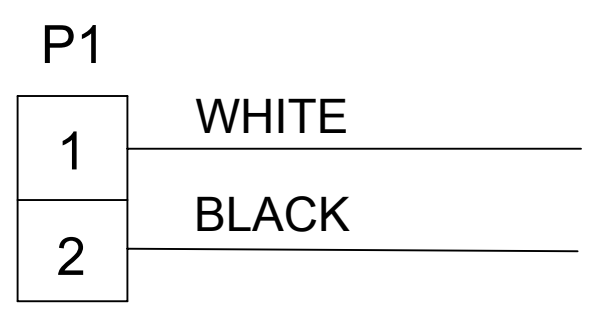
- NOTES:**
- MATERIAL: AS NOTED
  - FINISH: AS NOTED
  - ELECTRICAL:
    - VOLTAGE: 500V PER IEC60664
    - 600V PER UL2238
    - CURRENT: 13A
  - TEMP RATING: -20°C TO +105°C
  - PROTECTION: IP67 (WHEN MATED)
  - CSA CERTIFIED FILE: LR6837
  - UL RECOGNIZED FILE: E152210
  - COUPLING THREAD: 7/8-16UN
  - ALL DIMS ARE FOR REFERENCE UNLESS TOLERANCED OR NOTED OTHERWISE

**PART NUMBER LEGEND**

102002A01F030

FINISHED LENGTH  
 F001= .1 FT  
 F020= 2 FT  
 F200= 20 FT

**WIRING DIAGRAM**



ITEM	DESCRIPTION	MATERIAL	FINISH
7	WRAP LABEL	VINYL	BLACK/YELLOW
6	OVERMOLD	TPE	YELLOW
5	COUPLING NUT	ZINC DIE CAST	BLACK E-COAT
4	FRICTION RING	NYLON	WHITE
3	PIN CONTACT	Cu ALLOY	GOLD OVER NICKEL
2	INSERT	TPE	YELLOW
1	#16-2 CABLE, STOOV/ST	PVC JACKET	YELLOW
	ITEM	DESCRIPTION	MATERIAL
			FINISH

THIS DRAWING CONTAINS INFORMATION THAT IS PROPRIETARY TO MOLEX ELECTRONIC TECHNOLOGIES, LLC AND SHOULD NOT BE USED WITHOUT WRITTEN PERMISSION												
FUNCTIONAL SYMBOLS	DIMENSION UNITS	SCALE	CURRENT REV DESC: ITEM # 2 & 6 WERE PVC 7 WAS PLASTIC FILM, CABLE DIA. AND MATERIAL P/N TABLE . ADDED CSA, UL, IEC VOLT, TEMP RATING, IP RATING, TOL. CHART AND PART NUMBER LEGEND									
	INCH/MM	2:1	EC NO: 701162									
DIVISIONAL SYMBOLS	GENERAL TOLERANCES (UNLESS SPECIFIED)		DRWN: AKABADI 2021/11/02									
	4 PLACES	±	MM	INCH	CHK'D: RSTONE 2022/03/30							PRODUCT CUSTOMER DRAWING
3 PLACES	±	±	0.005	APPR: BWOODMAN 2022/04/08								
2 PLACES	±	±	0.01	INITIAL REVISION:								
1 PLACE	±	±	0.02	DRWN: LHARTMANN 2009/06/05								
0 PLACES	±	±		APPR: JFMURPHY 2009/06/08								
ANGULAR TOL	±	0.5 °	THIRD ANGLE PROJECTION									
DRAFT WHERE APPLICABLE MUST REMAIN WITHIN DIMENSIONS			DRAWING		SERIES		MATERIAL NUMBER		CUSTOMER		SHEET NUMBER	
			C-SIZE		130006		SEE TABLE		GENERAL MARKET		1 OF 1	



MINI-CHANGE CORDSET, A SIZE  
 2 POLE, MALE, STRAIGHT, SINGLE KEY, 16AWG

SD-130006-002

PSD 001 B