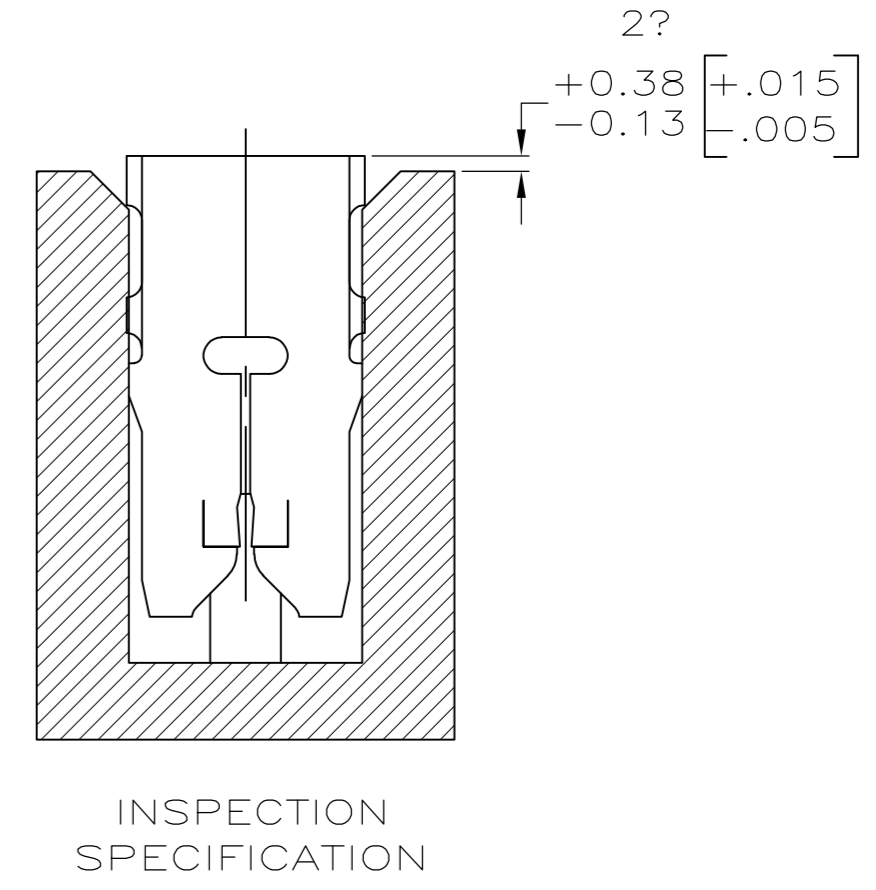
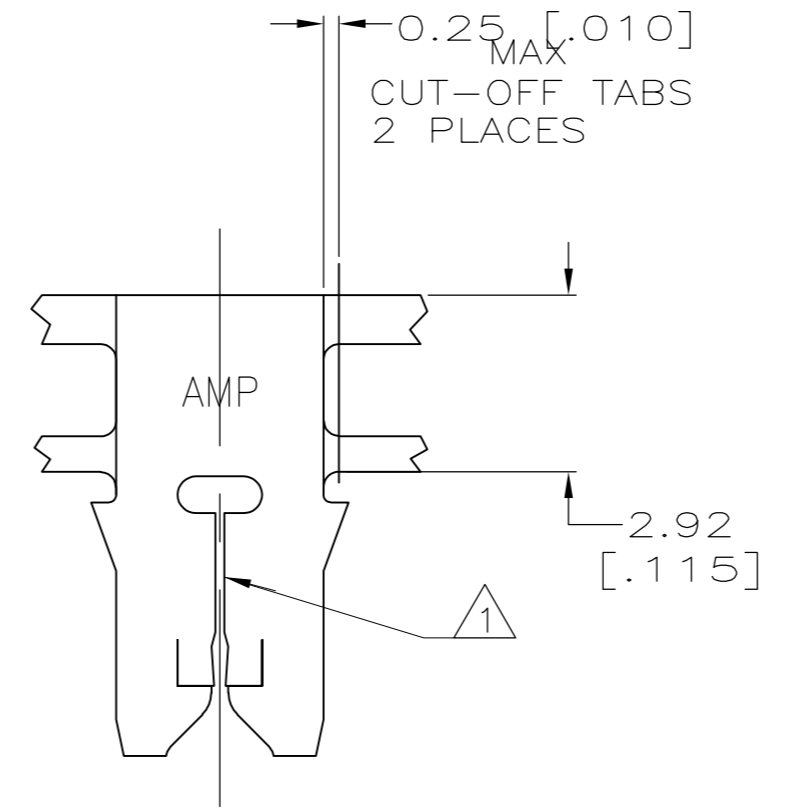
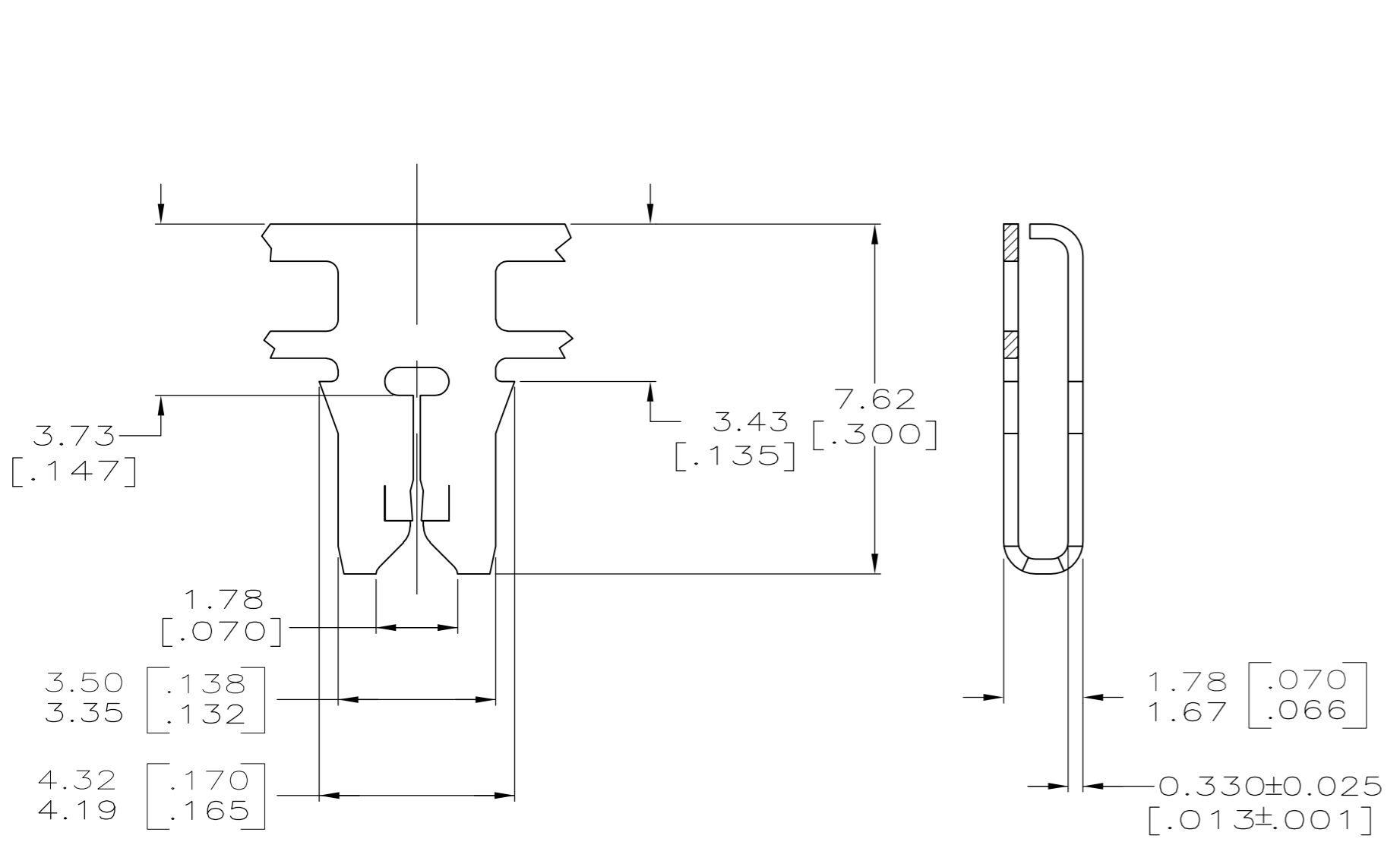
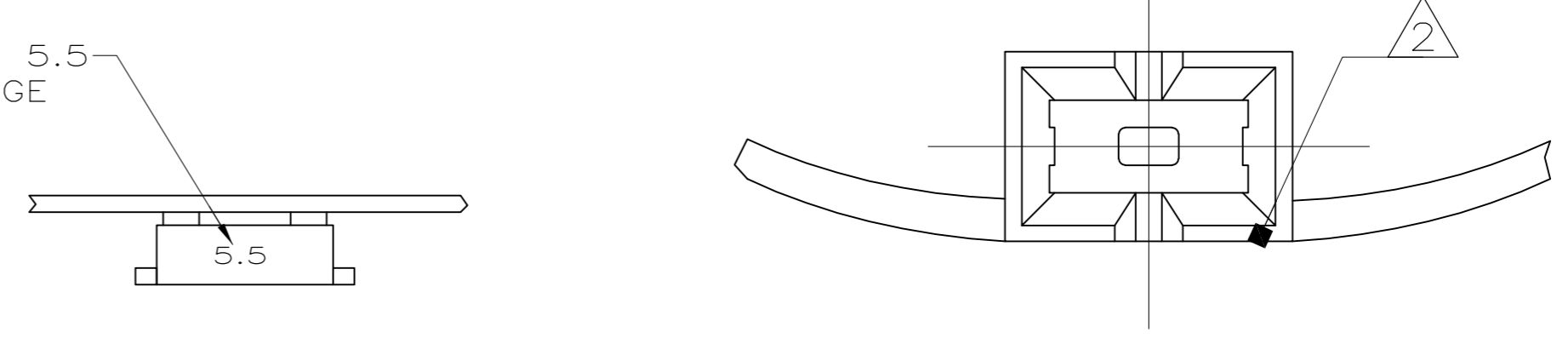


THIS DRAWING IS UNPUBLISHED. RELEASED FOR PUBLICATION
 © COPYRIGHT - By - ALL RIGHTS RESERVED.

LOC		DIST		REVISIONS			
P	LTR	DESCRIPTION		DATE	DWN	APVD	
	B1	ECR-13-017177		05NOV13	PKS	RRP	

- ① SLOT TERMINATES 0.20-0.25mm [#32-#30] AWG COPPER MAGNET WIRE EITHER SINGLE OR DOUBLE OF THE SAME SIZE.
- ② POINT OF MEASUREMENT, LOCATED APPROXIMATELY AS SHOWN
- 3 CONTINUOUS STRIP ON REELS WITH TERMINALS LOCATED ON 8.38±0.076[.330±.003] CENTERS

IDENTIFICATION NUMBER 5.5 FOR MAGNET WIRE RANGE



63877-1
PART NO.

THIS DRAWING IS A CONTROLLED DOCUMENT.		DWN R.GRZYBOWSKI 5/APR/95	TE Connectivity	
DIMENSIONS: INCHES		CHK M.S.FEHER 9/MAY/95	NAME	
TOLERANCES UNLESS OTHERWISE SPECIFIED:		APVD -	PRODUCT SPEC	
0 PLC ± -		108-2012	APPLICATION SPEC	
1 PLC ± -		114-2046	SIZE	CAGE CODE
2 PLC ± 0.25 [.010]		WEIGHT	A2	00779
3 PLC ± -		FINISH	C=63877	
4 PLC ± -		TIN PLATED	SCALE	8:1
ANGLES ± -		CUSTOMER DRAWING	SHEET	1 of 1
MATERIAL BRASS		RESTRICTED TO	REV	B1