



SIAMEZE

TE Internal #: 1601006-2

Magnet Wire Terminals, Tab, Mating Tab Width .187 in [4.75 mm], .16 – 1.02 mm Magnet Wire, 34 – 18 AWG Magnet Wire, SIAMEZE

[View on TE.com >](#)

Terminals & Splices > Magnet Wire Terminals



Magnet Wire Terminal Type: **Tab**
 Mating Tab Width: **4.75 mm [.187 in]**
 Mating Tab Thickness: **.51 mm [.02 in]**
 Magnet Wire Size: **.16 – 1.02 mm**

Features

Product Type Features

Compatible With Discrete Wire Type	Magnet Wire, Solid
------------------------------------	--------------------

Contact Features

Magnet Wire Terminal Type	Tab
Mating Tab Width	4.75 mm[.187 in]
Mating Tab Thickness	.51 mm[.02 in]
Terminal Plating Material	Tin
Terminal Orientation	Straight

Termination Features

Termination Method to Wire & Cable	Insulation Displacement (IDC)
------------------------------------	-------------------------------

Mechanical Attachment

Mating Retention Type	Hole
-----------------------	------

Dimensions

Terminal Height	7.62 mm[.3 in]
Magnet Wire Size	.16 – 1.02 mm
Stock Thickness (Magnet Wire Side)	.64 mm[.025 in]

Product Length	15.37 mm[.6 in]
----------------	-----------------

Usage Conditions

Insulation Option	Uninsulated
-------------------	-------------

Operation/Application

Compatible With Wire Base Material	Copper
------------------------------------	--------

Packaging Features

Packaging Quantity	30000
--------------------	-------

Packaging Method	Reel
------------------	------

Other

Terminals & Splices Comment	Magnet wire 30 AWG or smaller also requires a wrap post per P/N 1601447, Magnet wire 30 AWG or smaller also requires a wrap post per Part Number 1601447, Recommended Pocket P/N 1601425
-----------------------------	--

Product Compliance

[For compliance documentation, visit the product page on TE.com>](#)

EU RoHS Directive 2011/65/EU	Compliant
------------------------------	-----------

EU ELV Directive 2000/53/EC	Compliant
-----------------------------	-----------

China RoHS 2 Directive MIIT Order No 32, 2016	No Restricted Materials Above Threshold
---	---

EU REACH Regulation (EC) No. 1907/2006	Current ECHA Candidate List: JUNE 2023 (235) Candidate List Declared Against: JAN 2023 (233) Does not contain REACH SVHC
--	--

Halogen Content	Low Halogen - Br, Cl, F, I < 900 ppm per homogenous material. Also BFR/CFR/PVC Free
-----------------	---

Solder Process Capability	Not applicable for solder process capability
---------------------------	--

Product Compliance Disclaimer

This information is provided based on reasonable inquiry of our suppliers and represents our current actual knowledge based on the information they provided. This information is subject to change. The part numbers that TE has identified as EU RoHS compliant have a maximum concentration of 0.1% by weight in homogenous materials for lead, hexavalent chromium, mercury, PBB, PBDE, DBP, BBP, DEHP, DIBP, and 0.01% for cadmium, or qualify for an exemption to these limits as defined in the Annexes of Directive 2011/65/EU (RoHS2). Finished electrical and electronic equipment products will be CE marked as required by Directive 2011/65/EU. Components may not be CE marked. Additionally, the part numbers that TE has identified as EU ELV compliant have a maximum concentration of 0.1% by weight in homogenous materials for lead, hexavalent chromium, and mercury, and 0.01% for cadmium, or qualify for an exemption to these limits as defined in the Annexes of Directive 2000/53/EC (ELV). Regarding the REACH Regulation, the information TE provides

on SVHC in articles for this part number is based on the latest European Chemicals Agency (ECHA) 'Guidance on requirements for substances in articles' posted at this URL: <https://echa.europa.eu/guidance-documents/guidance-on-reach>

Compatible Parts



TE Part # 1601033-3
STD SMZ 187X020 BARB TAB TERM



TE Part # 1601264-4
TAB,OFFSET,4.75x0.51,STD,SMZ



TE Part # 1601193-2
.025 SQ OFFSET PIN STD SMZ



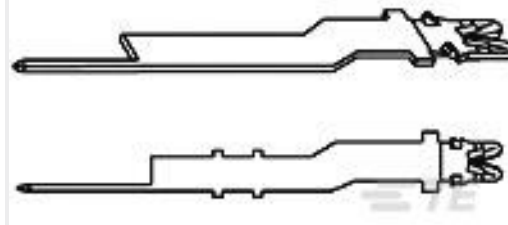
TE Part # 1601254-2
TAB,OFFSET,4.75x0.51,STD,SMZ



TE Part # 1601254-4
TAB,OFFSET,4.75x0.51,STD,SMZ



TE Part # 2-1601004-1
131-006-000=TAB,187X032,STDSMZ



TE Part # 2-1601193-1
.025 SQ OFFSET PIN STD SMZ




TE Part # 4-1601005-2
131-012-000=TAB,110X020,STDSMZ



TE Part # 1601425
531-007-000=POCKET SPECIFICATION

Also in the Series | SIAMEZE

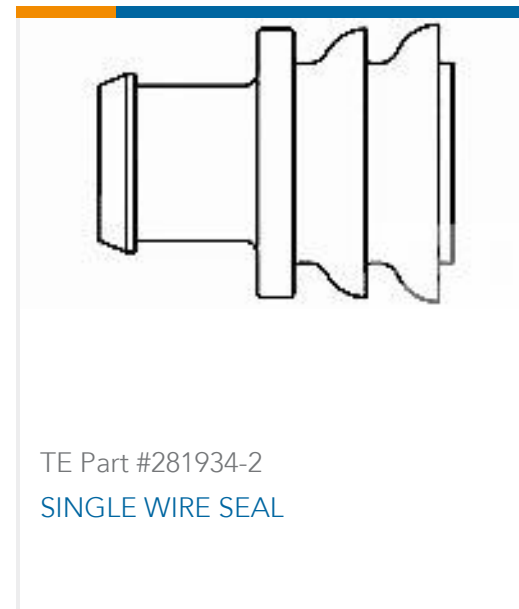


Insertion & Extraction Tools(1)



Magnet Wire Terminals(196)

Customers Also Bought



Documents

Product Drawings

[131-015-002=TAB,187X020,STDSMZ](#)

English

[131-015-002=TAB,187X020,STDSMZ](#)

English

CAD Files

[3D PDF](#)

3D

Customer View Model

[ENG_CVM_CVM_1601006-2_B.2d_dxf.zip](#)

English

Customer View Model

[ENG_CVM_CVM_1601006-2_B.3d_igs.zip](#)

English

Customer View Model

[ENG_CVM_CVM_1601006-2_B.3d_stp.zip](#)

English

By downloading the CAD file I accept and agree to the [Terms and Conditions](#) of use.

Datasheets & Catalog Pages

[1654742_HOUSEHOLD_APPLIANCES_RAST5](#)

English

Magnet Wire Terminals & Splices

English

[1-1773702-7_IDC_Magnet_Wire](#)

English



Product Specifications

Application Specification

English

Product Environmental Compliance

Product Compliance

English

Product Compliance

English

Agency Approvals

UL Report

English