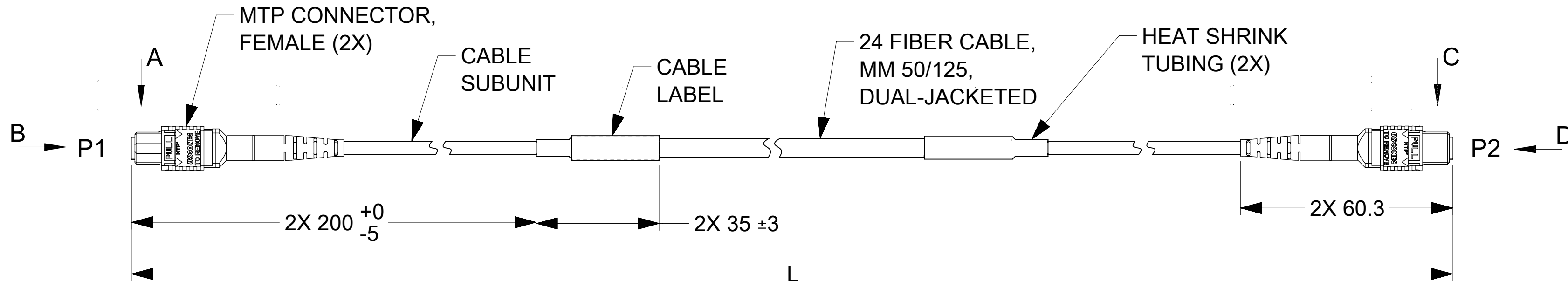
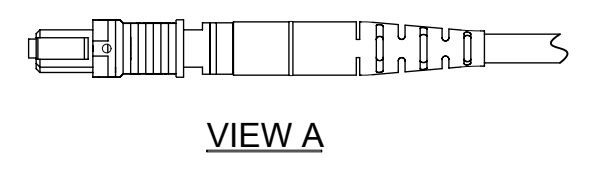


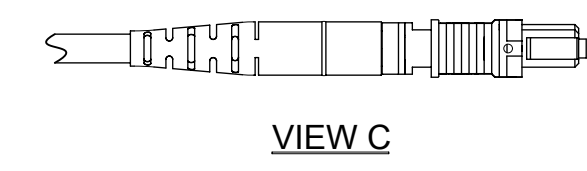
SINGLE JACKET ASSEMBLY



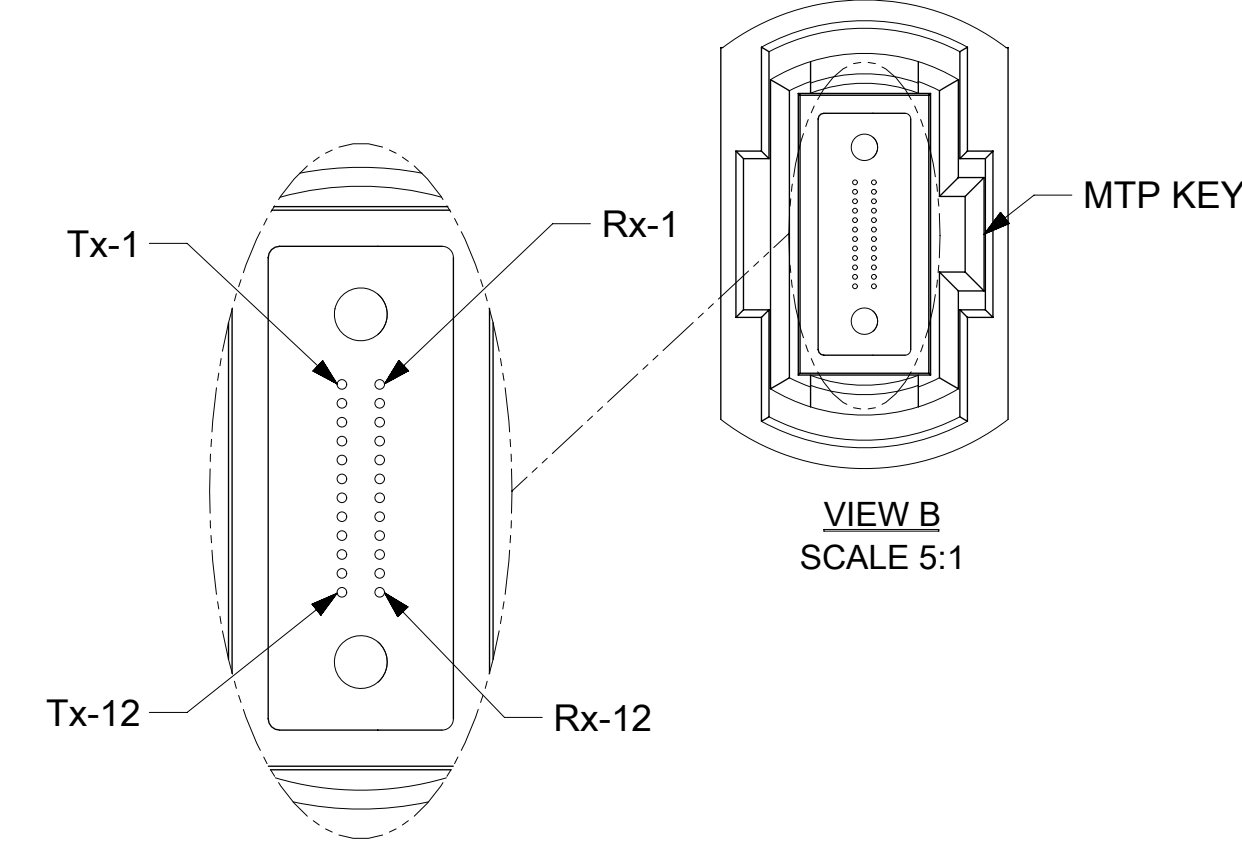
DUAL JACKET ASSEMBLY



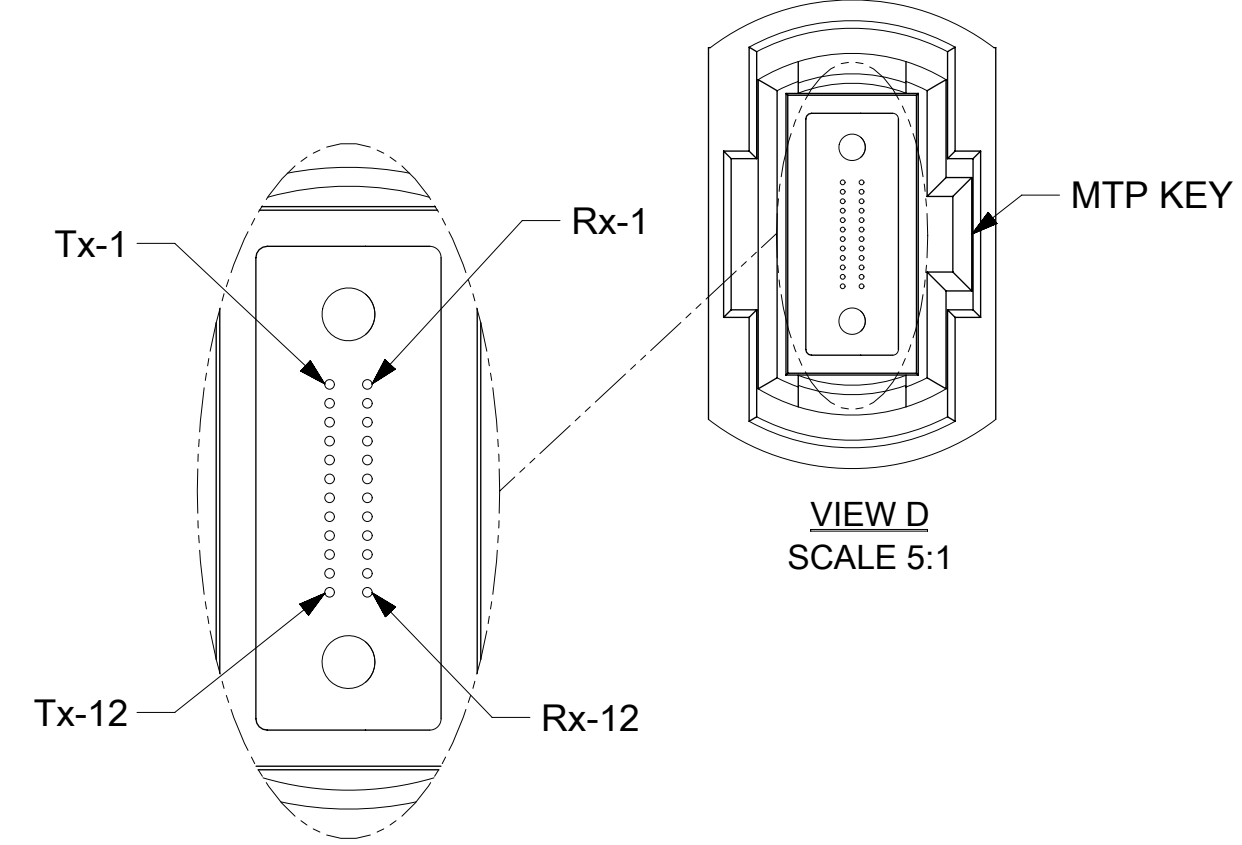
VIEW A



VIEW C



VIEW B
SCALE 5:1



VIEW D
SCALE 5:1

FOR PART NUMBERS SEE SH. 2

| CONNECTIONS | |
|-------------|-------|
| FROM P1 | TO P2 |
| Rx-1 | Tx-1 |
| Rx-2 | Tx-2 |
| Rx-3 | Tx-3 |
| Rx-4 | Tx-4 |
| Rx-5 | Tx-5 |
| Rx-6 | Tx-6 |
| Rx-7 | Tx-7 |
| Rx-8 | Tx-8 |
| Rx-9 | Tx-9 |
| Rx-10 | Tx-10 |
| Rx-11 | Tx-11 |
| Rx-12 | Tx-12 |
| Tx-1 | Rx-1 |
| Tx-2 | Rx-2 |
| Tx-3 | Rx-3 |
| Tx-4 | Rx-4 |
| Tx-5 | Rx-5 |
| Tx-6 | Rx-6 |
| Tx-7 | Rx-7 |
| Tx-8 | Rx-8 |
| Tx-9 | Rx-9 |
| Tx-10 | Rx-10 |
| Tx-11 | Rx-11 |
| Tx-12 | Rx-12 |

NOTES:

1. CABLE ASSEMBLY SPECIFICATIONS:

| | |
|-----------------------------------|---|
| OPTICAL PROPERTIES | |
| FIBER TYPE | MULTIMODE 50/125 μm BEND-INSENSITIVE |
| CONNECTOR INSERTION LOSS (MAX.) | 1.0 dB AT 850/1300 nm |
| CABLE ATTENUATION (MAX.) | |
| OM2 & OM3 | 3.5/1.2 dB/km AT 850/1300 nm |
| OM4 | 3.0/1.0 dB/km AT 850/1300 nm |
| OVERFILLED LAUNCH BANDWIDTH, MIN. | SEE TABLE 1 |
| ENVIRONMENTAL PROPERTIES | |
| CONNECTOR MATERIALS | UL94 V-0 |
| CABLE FLAMMABILITY RATING | |
| PLENUM | OFNP (NFPA262/UL 910) |
| LSZH (IEC 60754-2) | OFNR-LS/FT4 (UL 1666/UL 1685) |
| OPERATING TEMPERATURE RANGE | -20°C TO +70°C |
| MECHANICAL PROPERTIES | |
| FIBER COUNT | 4 Tx X 4 Rx |
| CABLE MIN. BEND RADIUS | |
| SHORT TERM | 45mm - SINGLE JACKET 72mm - DUAL JACKET |
| LONG TERM | 20mm - SINGLE JACKET 48mm - DUAL JACKET |
| NO LOAD | 10mm - SINGLE JACKET OR SUBUNIT OF DUAL JACKET |
| CABLE COMPRESSION FORCE | >3.5 N/mm |

2. CABLE LABEL IS PRINTED WITH MOLEX PN AND SERIAL NUMBER.

TABLE 1


| FIBER TYPE | OVERFILLED LAUNCH BANDWIDTH, MIN. (MHz-km) | | 10 GIGABIT ETHERNET LINK DISTANCE, MIN. (m) | | EFFECTIVE MODAL BANDWIDTH (MHz-km) |
|--------------------------|--|---------|---|---------|------------------------------------|
| | 850 nm | 1300 nm | 850 nm | 1300 nm | 850 nm |
| STANDARD BANDWIDTH (OM2) | 500 | 500 | 86 | --- | --- |
| HIGH BANDWIDTH (OM3) | 1500 | 500 | 300 | --- | 2000 |
| HIGH BANDWIDTH (OM4) | 3500 | 550 | 550 | --- | 4700 |

THIS DRAWING CONTAINS INFORMATION THAT IS PROPRIETARY TO MOLEX ELECTRONIC TECHNOLOGIES, LLC AND SHOULD NOT BE USED WITHOUT WRITTEN PERMISSION

| | | | | | |
|--|-------|------------------------|------------|--------|--|
| DIMENSION UNITS | SCALE | CURRENT REV DESC: | | | <p>MOLEX CXP OPTICAL CABLE ASSEMBLY</p> <p>PRODUCT CUSTOMER DRAWING</p> |
| mm | 1:1 | | | | |
| GENERAL TOLERANCES (UNLESS SPECIFIED) | | | | | |
| ANGULAR TOL ± 0.5° | | | | | |
| 4 PLACES ± | | EC NO: 747900 | | | <p>DOCUMENT NUMBER</p> <p>DOC TYPE</p> <p>DOC PART</p> <p>REVISION</p> <p>SD-106284-0001</p> <p>PSD 001 H</p> |
| 3 PLACES ± | | DRWN: IGUMIN | 2023/04/14 | | |
| 2 PLACES ± | | CHK'D: GGANCHANOK | 2023/05/18 | | |
| 1 PLACE ± | | APPR: GGANCHANOK | 2023/05/18 | | |
| 0 PLACES ± | | INITIAL REVISION: | | | <p>MATERIAL NUMBER</p> <p>CUSTOMER</p> <p>SEE TABLE</p> <p>GENERAL MARKET</p> |
| | | DRWN: IGUMIN | 2009/01/16 | | |
| | | APPR: IGUMIN | 2009/01/16 | | <p>SHEET NUMBER</p> <p>1 OF 2</p> |
| DRAFT WHERE APPLICABLE MUST REMAIN WITHIN DIMENSIONS | | THIRD ANGLE PROJECTION | DRAWING | SERIES | |
| | | | D-SIZE | 106284 | |

| STANDARD BANDWIDTH (OM2 FIBER) | | | HIGH BANDWIDTH (OM3 FIBER) | | | | | HIGH BANDWIDTH (OM4 FIBER) | | | | | OVERALL LENGTH L (m) | | | | | | | | | | | | |
|--------------------------------|---------------------------------------|-------------|-------------------------------------|--------------------------------------|-------------|------------|--|----------------------------|------------|--------------------------------------|-------------|-----------------------------------|--|--------------------------------------|--------------|-----|-----|------|------------|-----------------------------------|------|-----|-----|------|--------------|
| ASSY P/N | CABLE COLOR / OD FLAMMABILITY / TYPE | CONN. COLOR | ASSY P/N | CABLE COLOR / OD FLAMMABILITY / TYPE | CONN. COLOR | ASSY P/N | CABLE COLOR / OD FLAMMABILITY / TYPE | CONN. COLOR | ASSY P/N | CABLE COLOR / OD FLAMMABILITY / TYPE | CONN. COLOR | ASSY P/N | | CABLE COLOR / OD FLAMMABILITY / TYPE | CONN. COLOR | | | | | | | | | | |
| 1062840001 | ORANGE / 3.8mm PLENUM / SINGLE JACKET | BLACK | 1062841001 | AQUA / 3.8mm PLENUM / SINGLE JACKET | AQUA | 1062841401 | AQUA / 3.0mm LSZH, RISER / SINGLE JACKET | AQUA | 1062847001 | AQUA / 3.8mm PLENUM / SINGLE JACKET | AQUA | 1062847401 | AQUA / 3.0mm LSZH, RISER / SINGLE JACKET | AQUA | 1.0 +0.2/-0 | | | | | | | | | | |
| 1062840151 | | | TBA | | | TBA | | | TBA | | | 1.5 +0.2/-0 | | | | | | | | | | | | | |
| 1062840002 | | | 1062841002 | | | 1062841402 | | | 1062847002 | | | 1062847402 | | | 2.0 +0.2/-0 | | | | | | | | | | |
| 1062840003 | | | 1062841003 | | | 1062841403 | | | 1062847003 | | | 1062847403 | | | 3.0 +0.2/-0 | | | | | | | | | | |
| 1062840004 | | | 1062841004 | | | TBA | | | 1062847004 | | | TBA | | | 4.0 +0.2/-0 | | | | | | | | | | |
| 1062840005 | | | 1062841005 | | | 1062841405 | | | 1062847005 | | | 1062847405 | | | 5.0 +0.2/-0 | | | | | | | | | | |
| 1062840006 | | | 1062841006 | | | TBA | | | 1062847006 | | | TBA | | | 6.0 +0.2/-0 | | | | | | | | | | |
| TBA | | | 1062841007 | | | 1062841407 | | | 1062847007 | | | 1062847407 | | | 7.0 +0.2/-0 | | | | | | | | | | |
| 1062840008 | | | 1062841008 | | | TBA | | | 1062847008 | | | TBA | | | 8.0 +0.2/-0 | | | | | | | | | | |
| 1062840010 | | | 1062841010 | | | 1062841410 | | | 1062847010 | | | 1062847410 | | | 10.0 +0.3/-0 | | | | | | | | | | |
| 1062840012 | | | 1062841012 | | | TBA | | | 1062847012 | | | TBA | | | 12.0 +0.3/-0 | | | | | | | | | | |
| 1062840015 | | | 1062841015 | | | TBA | | | 1062847015 | | | TBA | | | 15.0 +0.3/-0 | | | | | | | | | | |
| 1062840020 | | | 1062841020 | | | TBA | | | 1062847020 | | | TBA | | | 20.0 +0.4/-0 | | | | | | | | | | |
| 1062840025 | | | 1062841025 | | | TBA | | | 1062847025 | | | TBA | | | 25.0 +0.5/-0 | | | | | | | | | | |
| 1062840030 | | | ORANGE / 5.4mm PLENUM / DUAL JACKET | | | BLACK | | | 1062841030 | | | AQUA / 5.4mm PLENUM / DUAL JACKET | | | AQUA | TBA | TBA | AQUA | 1062847030 | AQUA / 5.4mm PLENUM / DUAL JACKET | AQUA | TBA | TBA | AQUA | 30.0 +0.6/-0 |
| 1062840035 | | | | | | | | | 1062841035 | | | | | | | TBA | | | 1062847035 | | | TBA | | | 35.0 +0.7/-0 |
| 1062840040 | | | | | | | | | 1062841040 | | | | | | | TBA | | | 1062847040 | | | TBA | | | 40.0 +0.8/-0 |
| 1062840045 | | | | | | | | | 1062841045 | | | | | | | TBA | | | 1062847045 | | | TBA | | | 45.0 +0.9/-0 |
| 1062840050 | | | | | | | | | 1062841050 | | | | | | | TBA | | | 1062847050 | | | TBA | | | 50.0 +1.0/-0 |
| 1062840055 | | | | | | | | | 1062841055 | | | | | | | TBA | | | 1062847055 | | | TBA | | | 55.0 +1.1/-0 |
| 1062840060 | | | | | | | | | 1062841060 | | | | | | | TBA | | | 1062847060 | | | TBA | | | 60.0 +1.2/-0 |
| 1062840065 | | | | | | | | | 1062841065 | | | | | | | TBA | | | 1062847065 | | | TBA | | | 65.0 +1.3/-0 |
| 1062840070 | | | | | | | | | 1062841070 | | | | | | | TBA | | | 1062847070 | | | TBA | | | 70.0 +1.4/-0 |
| 1062840075 | | | | | | | | | 1062841075 | | | | | | | TBA | | | 1062847075 | | | TBA | | | 75.0 +1.5/-0 |
| 1062840080 | | | | | | | | | 1062841080 | | | | | | | TBA | | | 1062847080 | | | TBA | | | 80.0 +1.6/-0 |
| 1062840085 | 1062841085 | TBA | | 1062847085 | TBA | | 85.0 +1.7/-0 | | | | | | | | | | | | | | | | | | |
| 1062840090 | 1062841090 | TBA | | 1062847090 | TBA | | 90.0 +1.8/-0 | | | | | | | | | | | | | | | | | | |
| 1062840095 | 1062841095 | TBA | | 1062847095 | TBA | | 95.0 +1.9/-0 | | | | | | | | | | | | | | | | | | |
| 1062840100 | 1062841100 | TBA | | 1062847100 | TBA | | 100.0 +2.0/-0 | | | | | | | | | | | | | | | | | | |
| 1062840150 | 1062840150 | TBA | | 1062840150 | TBA | | 150.0 +3.0/-0 | | | | | | | | | | | | | | | | | | |
| TBA | 1062841200 | TBA | | 1062847200 | TBA | | 200.0 +4.0/-0 | | | | | | | | | | | | | | | | | | |
| TBA | 1062841250 | TBA | | 1062847250 | TBA | | 250.0 +5.0/-0 | | | | | | | | | | | | | | | | | | |
| TBA | 1062841300 | TBA | | 1062847300 | TBA | | 300.0 +6.0/-0 | | | | | | | | | | | | | | | | | | |

THIS DRAWING CONTAINS INFORMATION THAT IS PROPRIETARY TO MOLEX ELECTRONIC TECHNOLOGIES, LLC AND SHOULD NOT BE USED WITHOUT WRITTEN PERMISSION

| | | | | | | | | | | |
|--|---------------------|------------------------|---|-----------|-----------------|--|-------------------|------------|-----------------|-----------|
| DIMENSION UNITS mm | SCALE 1:1 | CURRENT REV DESC: |  <p>MOLEX CXP OPTICAL CABLE ASSEMBLY</p> <p>PRODUCT CUSTOMER DRAWING</p> | | | | | | | |
| GENERAL TOLERANCES (UNLESS SPECIFIED) | | | | | | | EC NO: 747900 | 2023/04/14 | DOC TYPE | DOC PART |
| ANGULAR TOL ± 0.5° | 4 PLACES ± | | | | | | DRWN: IGUMIN | 2023/05/18 | REVISION | |
| 3 PLACES ± | 2 PLACES ± | | | | | | CHK'D: GGENCHANOK | 2023/05/18 | DOCUMENT NUMBER | |
| 1 PLACE ± | 0 PLACES ± | | | | | | APPR: GGENCHANOK | 2023/05/18 | SD-106284-0001 | PSD 001 H |
| DRAFT WHERE APPLICABLE MUST REMAIN WITHIN DIMENSIONS | | INITIAL REVISION: | DRWN: IGUMIN 2009/01/16 | SERIES | MATERIAL NUMBER | | | | | |
| | | THIRD ANGLE PROJECTION | APPR: IGUMIN 2009/01/16 | DRAWING | CUSTOMER | | | | | |
| | | | | D-SIZE | 106284 | | | | | |
| | | | | SEE TABLE | GENERAL MARKET | | | | | |
| | | | | | SHEET NUMBER | | | | | |
| | | | | | 2 OF 2 | | | | | |