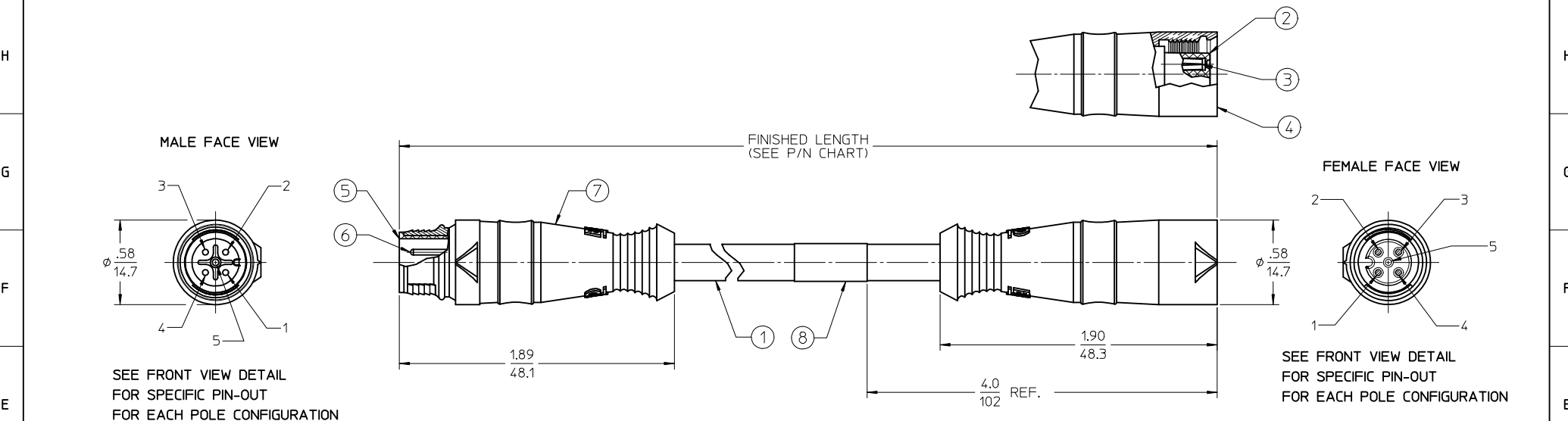
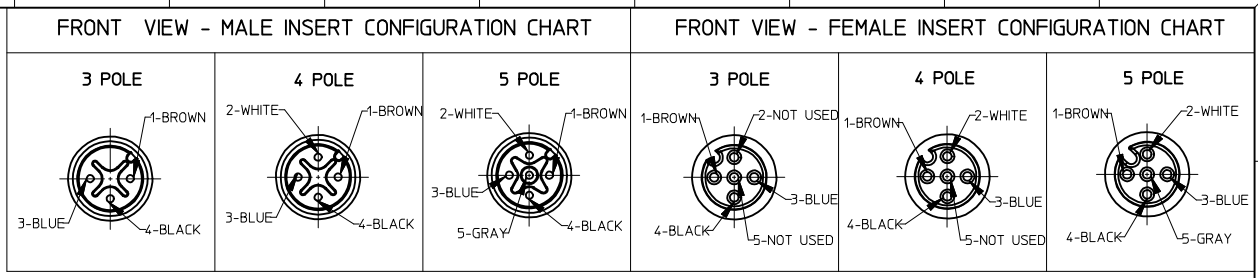


POLES	MATERIAL NO.	ENGINEERING NO.	FINISHED LENGTH
3	1200660029	NN3030A41M010G	3'3" +2.19"-0 (1M +55.6mm-0)
3	1200661997	NN3030A41M020G	6'7" +3.50"-0 (2M +88.9mm-0)
3	1200660030	NN3030A41M050G	16'5" +6.50"-0 (5M +165.1mm-0)
4	1200660035	NN4030A41M010G	3'3" +2.19"-0 (1M +55.6mm-0)
4	1200660036	NN4030A41M020G	6'7" +3.50"-0 (2M +88.9mm-0)
4	1200660037	NN4030A41M030G	9'10" +3.50"-0 (3M +88.9mm-0)
4	1200660038	NN4030A41M040G	13'1" +6.50"-0 (4M +165.1mm-0)
4	1200660039	NN4030A41M050G	16'5" +6.50"-0 (5M +165.1mm-0)
4	1200661696	NN4030A41M100G	32'10" +12.50"-0 (10M +317.5mm-0)

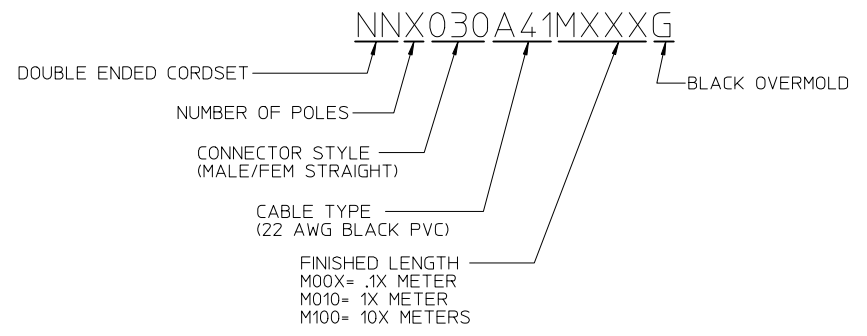


SEE FRONT VIEW DETAIL FOR SPECIFIC PIN-OUT FOR EACH POLE CONFIGURATION

SEE FRONT VIEW DETAIL FOR SPECIFIC PIN-OUT FOR EACH POLE CONFIGURATION

- NOTES:
1. MATERIAL: SEE TABLE
 2. FINISHES: SEE TABLE
 3. ELECTRICAL SPECIFICATIONS
VOLTAGE RATING: 250V AC/DC
CURRENT RATING: 4 AMPS
 4. XX REFERS TO NUMBER OF CIRCUITS

CABLE P/N MATRIX



8	1	WRAP LABEL	VINYL	BLACK/YELLOW
7	1	MICRO-PUSH OVERMOLD (MALE)	TPE	BLACK
6	XX	CONTACT PIN	Cu ALLOY	GOLD PLATED
5	1	INSERT (MALE)	NYLON	BLACK
4	1	MICRO-PUSH OVERMOLD (FEMALE)	PVC	BLACK
3	XX	CONTACT SOCKET	Cu ALLOY	GOLD PLATED
2	1	INSERT (FEMALE)	NYLON	BLACK
1	A/R	CABLE, 22 AWG, UN SHLD	PVC JACKET	BLACK
ITEM	QTY.	DESCRIPTION	MATERIAL	FINISH

RELEASED	EC NO: JGZ2015-1589	2015/03/10
DRWR:RSTONE	2015/03/12	
CHKDK: JOZWIK	2015/03/17	
APPR: JF MURPHY	2015/03/17	
DESCRIPTION		

QUALITY SYMBOLS	GENERAL TOLERANCES (UNLESS SPECIFIED)
▽=0	mm
▽=0	INCH
	4 PLACES ± --- ± ---
	3 PLACES ± --- ± ---
	2 PLACES ± --- ± .01
	1 PLACE ± 0.3 ± ---
	0 PLACE ± --- ± ---
	ANGULAR ± 2 °
	DRAFT WHERE APPLICABLE MUST REMAIN WITHIN DIMENSIONS

DIMENSION STYLE	SCALE	DESIGN UNITS	THIRD ANGLE PROJECTION
IN/MM	2:1	INCH	
DRAWN BY	DATE	TITLE	
RSTONE	2015/03/10	MIC PUSH-ON CABLE ASSY	
CHECKED BY	DATE	MALE STR TO FEMALE STR	
K JOZWIK	2015/03/12	22 AWG CABLE	
APPROVED BY	DATE		
JF MURPHY	2015/03/17		
MATERIAL NO.	DOCUMENT NO.	SHEET NO.	
	SD-120066-058	1 OF 1	

SEE P/N CHART	THIS DRAWING CONTAINS INFORMATION THAT IS PROPRIETARY TO MOLEX INCORPORATED AND SHOULD NOT BE USED WITHOUT WRITTEN PERMISSION
---------------	---