

PRODUCT NUMBER
59112-001

A

B

C

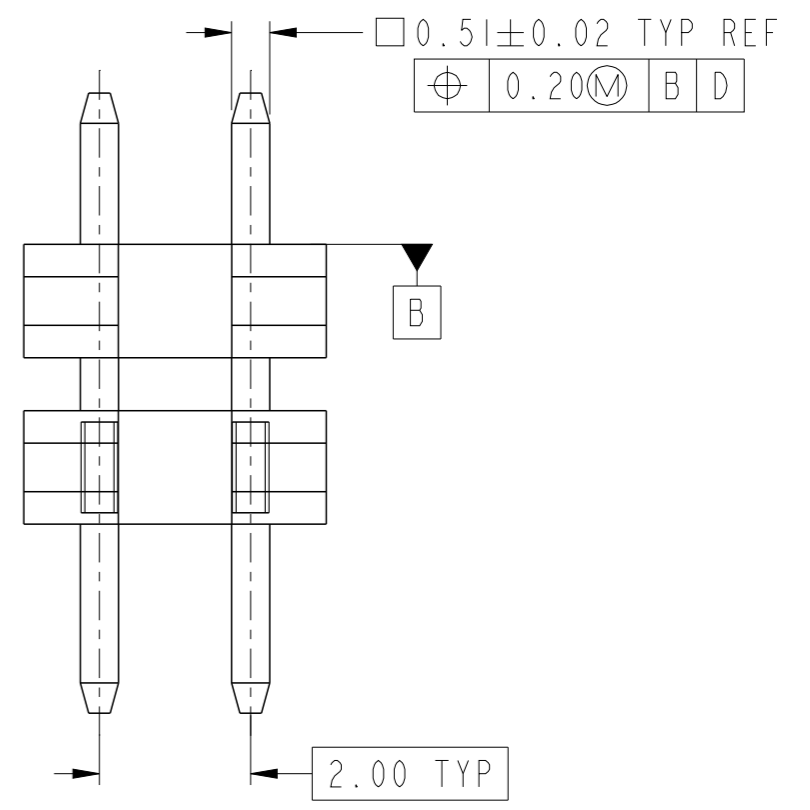
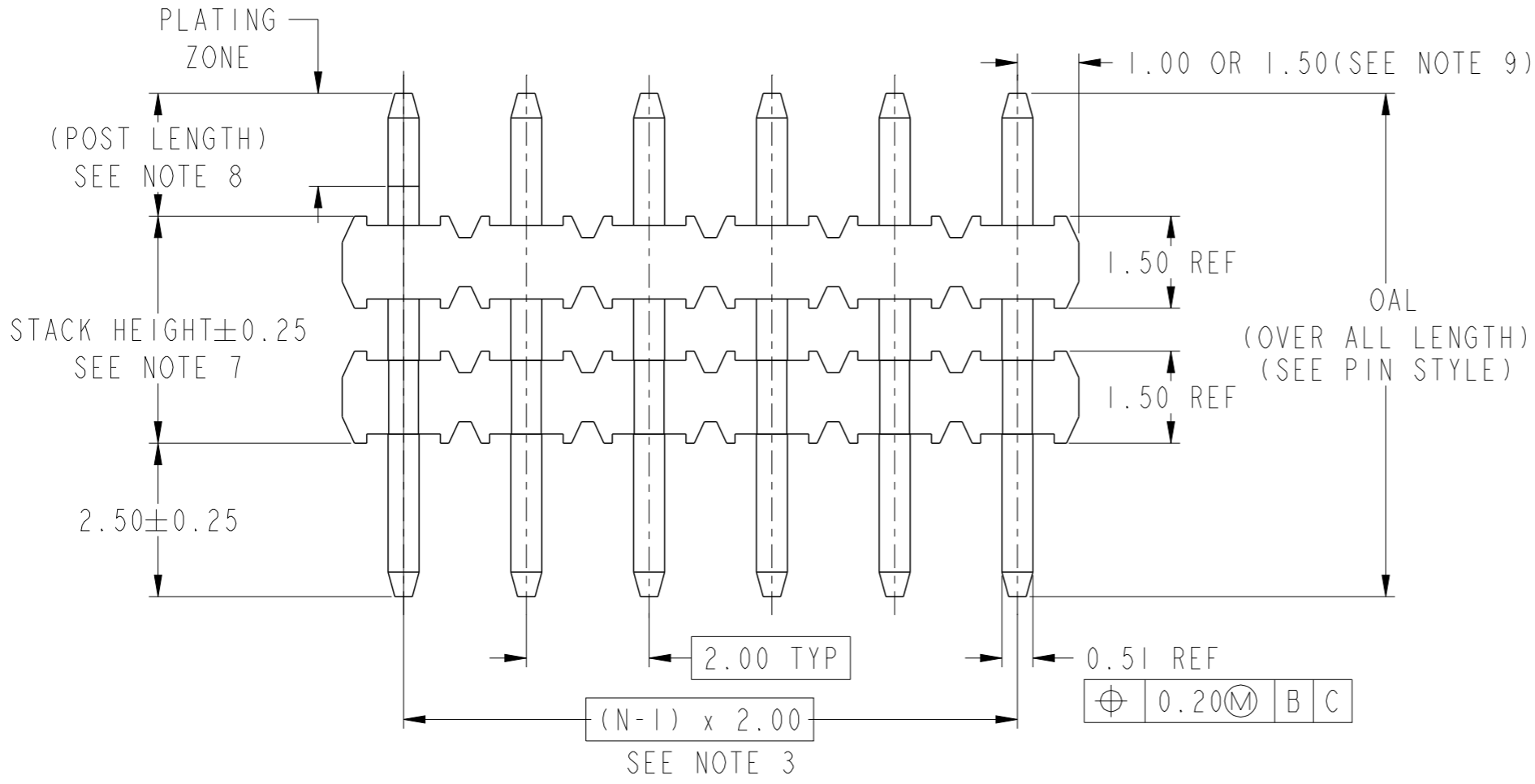
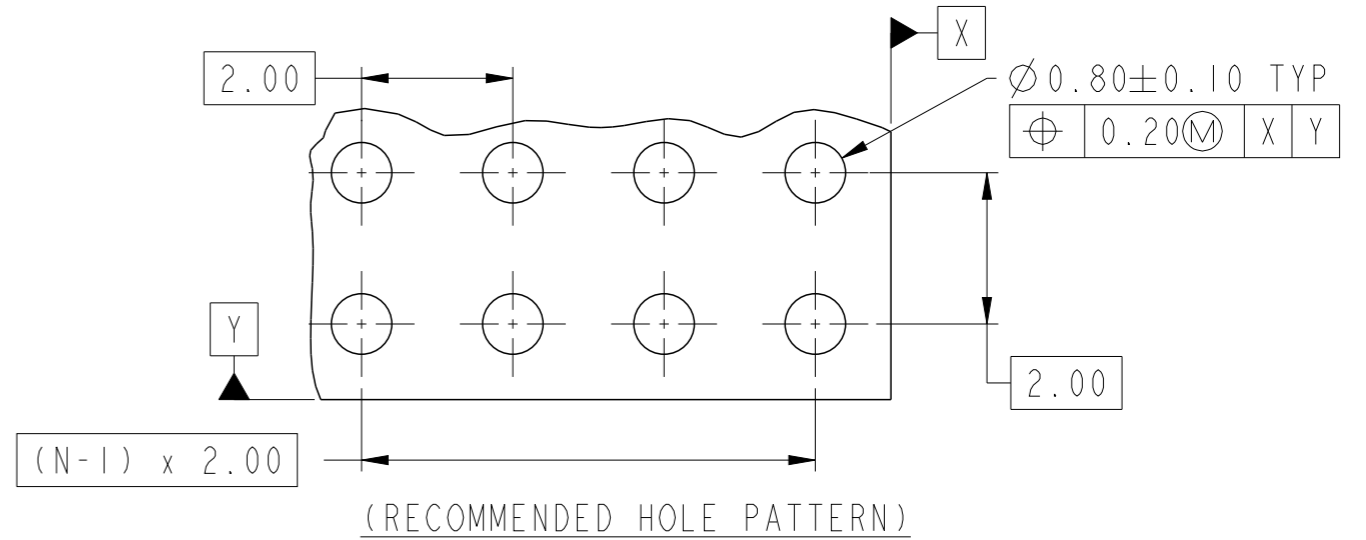
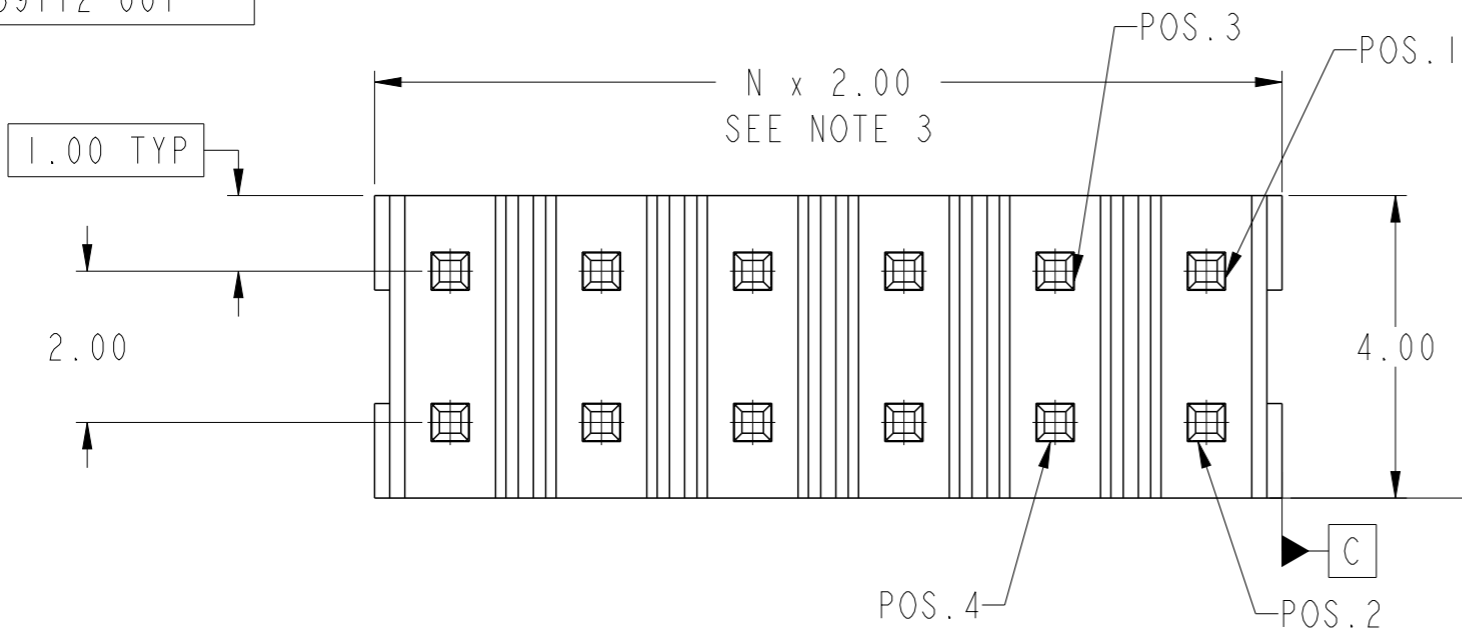
D

A

B

C

D



Copyright FCI.

| | | | | | | | | | | | |
|---------------------------------------|---------------------|------|-------------|-------------|------------|------------------------------------------------------|----------------|-----------------|-----------|------------------------|--------------|
| spec ref | - | dr | wcadmin | 2010/10/31 | projection | MM | size | A3 | scale | 10:1 | |
| tolerance std | ISO 406 ISO 1101 | eng | Guo-Min Sun | 2013/12/12 | | | ecn no | ELX-N-16500-1 | | | |
| TOLERANCES UNLESS OTHERWISE SPECIFIED | | chr | - | 2013/12/12 | | | product family | MINITEK | rel level | Released | |
| surface | ISO 1302 | appr | Rick Bian | | | | dwg no | 59112 | | rev | N |
| | linear | 0.X | ±0.5 | | | 2.00MM UNSHROUDED HEADER BOARD TO BOARD THRU-HOLE | | cat. no. | - | Product - Customer Drw | sheet 1 of 2 |
| | angular | 0° | ±3° | www.fci.com | | PDS: Rev :N | | STATUS:Released | | Printed: Dec 12, 2013 | |

PRODUCT NUMBER
59112-001

PRODUCT NUMBER DESCRIPTION :
59112- X XX - XX - XXX XLF

PLATING
S = 0.38um GOLD
ON CONTACT AREA
0.38um GOLD ON TAIL

G = 0.76um GOLD
ON CONTACT AREA
0.76um GOLD ON TAIL

F = 0.20um GOLD
ON CONTACT AREA
0.20um GOLD ON TAIL

T = 0.76um GOLD ON CONTACT AREA
2.54um 100% MATTE TIN ON TAIL

K = 0.76um GXT ON CONTACT AREA
2.54um 100% MATTE TIN ON TAIL

R = 0.38um GXT ON CONTACT AREA
2.54um 100% MATTE TIN ON TAIL

LEAD FREE (SEE NOTE 11)
RETENTION (SEE NOTES 6 & 10)
R: RETENTIVE LEG
STACKER HEIGHT (SEE NOTE 7)
PACKAGING: - = BAGS
(SEE NOTE 5) U = TUBES
P = TUBE WITH PICK-UP CAP
A = TAPE & REEL WITH PICK-UP CAP

POSITIONS PER ROW = "N"
(02 TO 25)

OMIT FROM PRODUCT NUMBER FOR
LEAD FREE WITH RETENTIVE LEG PRODUCT

| PIN STYLE | OAL |
|-----------|------|
| 22 | 08.2 |
| 24 | 09.6 |
| 26 | 10.2 |
| 28 | 11.8 |
| 30 | 13.5 |
| 32 | 14.1 |
| 34 | 15.6 |
| 36 | 17.1 |
| 38 | 19.1 |
| 40 | 21.1 |

6. RETENTION LEG:
2.3kg MAX INSERTION FORCE AND 1 kg MIN RETENTION FORCE PER
RETENTIVE PIN USING 1.57 THICK CIRCUIT BOARD AND RECOMMENDED
HOLE PATTERN. RETENTIVE LOCATION AT THE
DISCRETION OF THE MANUFACTURER. RETENTION IS TWO PINS PER
PART ADJACENT TO ONE ANOTHER.

7. STACK HEIGHT IS DETERMINED BY CUSTOMER APPLICATION REQUIREMENTS.
SPECIFIED IN mm. EXAMPLE: 3.7mm STACK HEIGHT=59112-XXX-037X.

8. POST LENGTH IS DETERMINED BY: (OAL)-(2.50)-(STACK HGT.)=POST
LENGTH. MINIMUM MATING LENGTH TO BE 2.0mm

9. DIM 1.0 APPLIES TO MOLDED SIDE(S) ONLY. IF SIDE(S) ARE BROKEN,
DIM 1.5 MAX APPLIES.

10. OMIT FROM PRODUCT NUMBER IF FEATURE IS NOT APPLICABLE.

11. P/N: 59112-XXXLF IS SAME AS P/N: 59112-XXX. THE SUFFIX 'LF'
IS ADDED FOR EASY LEAD FREE IDENTIFICATION.

12. THE HOUSING WILL WITHSTAND EXPOSURE TO 255°C PEAK
TEMPERATURE FOR 10 SECONDS IN A CONVECTION, INFRA-RED
OR VAPOR PHASE REFLOW OVEN.

13. THE HOUSING WILL WITHSTAND EXPOSURE TO 260°C PEAK
TEMPERATURE FOR 10 SECONDS IN A WAVE SOLDER
APPLICATION WITH A 1.57MM MINIMUM THICK CIRCUIT BOARD.

14. THIS PRODUCT MEETS EUROPEAN UNION DIRECTIVES AND
OTHER COUNTRY REGULATIONS AS DESCRIBED IN GS-22-008.

- NOTES:
- MATERIAL HOUSING: HIGH TEMPERATURE THERMOPLASTIC
UL 94V-0, COLOR BLACK
 - MATERIAL TERMINAL: COPPER ALLOY
 - TO DETERMINE DIMENSIONS:
N=NUMBER OF POSITIONS PER ROW
EX.: 10 POS., N x 2.00 = 20.00 TOTAL POSITIONS
 - 0.9kg MIN. PIN RETENTION IN EITHER DIRECTION.
 - PACKAGING;
(A) STANDARD PACKAGING: IN POLY BAGS.
(B) SPECIAL PACKAGING: IN TUBE OR TAPE AND REEL.
FOR TUBE AN OPTIONAL PICK-UP CAP IS PROVIDED AT
THE CENTER OF THE PRODUCT FOR PICK AND PLACE APPLICATIONS.
PICK-UP CAP IS STANDARD IN TAPE AND REEL.
FOR ALL SPECIAL PACKAGING, FCI MUST BE CONTACTED FOR
AVAILABILITY IN SIZE REQUESTED.

| | | | | | | | | | | | |
|---------------|---------------------|-------------|-------------|------------|------------|--------------------------|--------------|---------------|----------------|---------|-----------|
| spec ref | - | dr | wcadmin | 2010/10/31 | projection | MM | size | A3 | scale | 5:1 | |
| tolerance std | ISO 406 ISO 1101 | eng | Guo-Min Sun | 2013/12/12 | | ← → | ecn no | ELX-N-16500-1 | | | |
| surface | linear | chr | - | apppr | | | Rick Bian | 2013/12/12 | product family | MINITEK | rel level |
| | angular | 0° | ±3° | | | 2.00MM UNSHROUDED HEADER | dwg no | 59112 | | rev | N |
| ISO 1302 | | www.fci.com | | cat. no. | - | Product - Customer Drw | sheet 2 of 2 | | | | |

Copyright FCI.