

THIS DRAWING IS UNPUBLISHED.

RELEASED FOR PUBLICATION

ALL RIGHTS RESERVED.

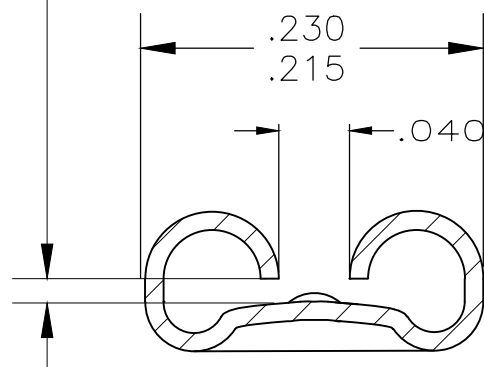
LOC AF DIST 50

REVISIONS

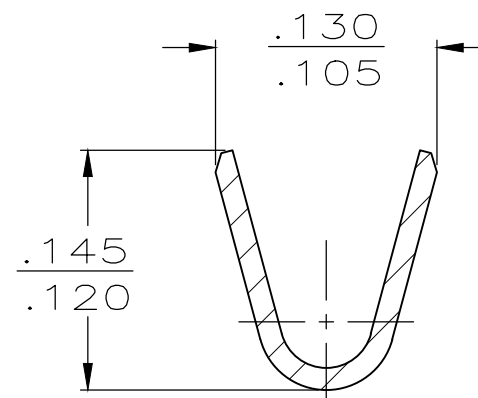
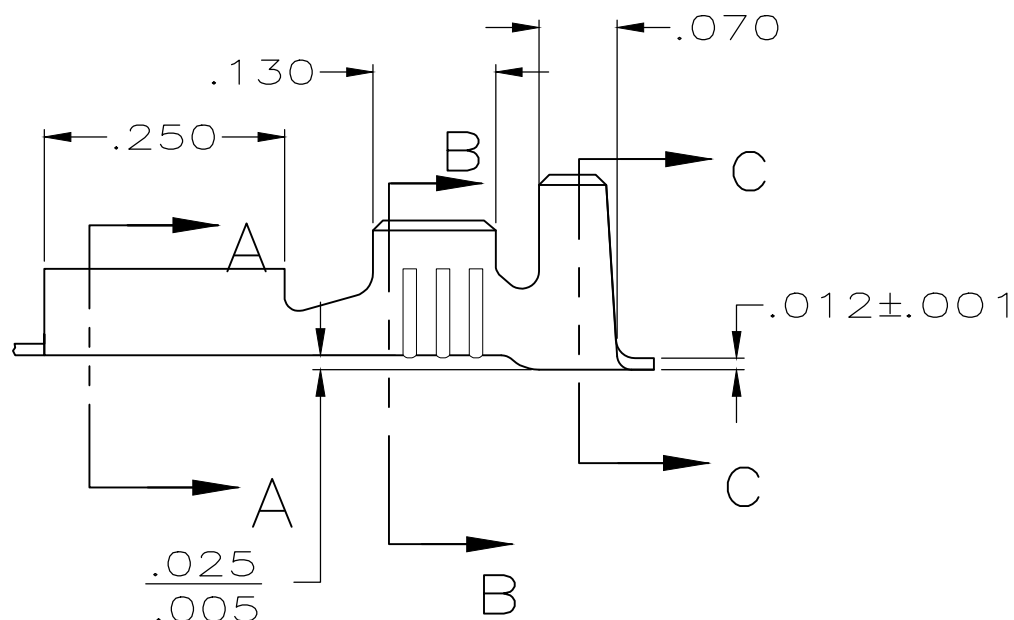
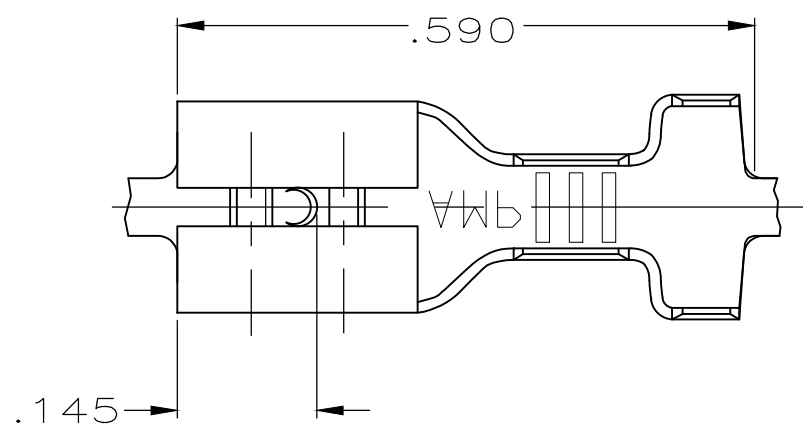
P	LTR	DESCRIPTION	DATE	DWN	APVD
D1		REVISED PER ECR-20-009164	20JUL2020	MK	DH

- CONTINUOUS STRIP ON REELS
- MATING TAB THK IS .033-.030
- WIRE SIZE IS 18-16 OR TWO #18'S
- INSULATION RANGE IS TWO AT .105 MAX DIA.

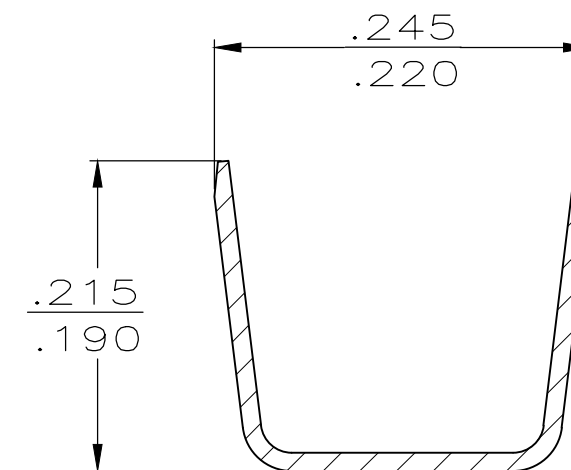
GAP AS REQUIRED TO MEET FORCE SPECIFICATIONS AND .028 MAX



SECTION A-A
SCALE 8:1



SECTION B-B
SCALE 8:1



SECTION C-C
SCALE 8:1

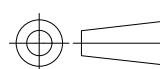
63769-1

PART NO.

TYPE	WIDTH	STRIP LENGTH ±.015	TYPE	WIDTH	HEIGHT	WIRE
F	.210	.188	F	.100	.055	16
					.049	18
INSUL BARREL CRIMP			WIRE BARREL CRIMP			

THIS DRAWING IS A CONTROLLED DOCUMENT.

DIMENSIONS: INCHES



TOLERANCES UNLESS OTHERWISE SPECIFIED:

0 PLC	± -
1 PLC	± -
2 PLC	± -
3 PLC	± .015
4 PLC ANGLES	± - ± -

MATERIAL BRASS

FINISH -

DWN JR RUTH 1/13/93

CHK MS FEHER 1/13/93

APVD P DESANTIS 1/13/93

PRODUCT SPEC

APPLICATION SPEC

114-2036

WEIGHT -

CUSTOMER DRAWING



NAME

RECEPTACLE, FASTON, .187 SERIES

SIZE CAGE CODE DRAWING NO RESTRICTED TO

A3 00779 C-63769

SCALE 5:1 SHEET 1 OF 1 REV D1