

74S195

Four-Bit High Speed Shift Registers

The Am54S/74S194 and Am54S/74S195 are 4-bit registers that exhibit fully synchronous operation in all operating modes. The Am54S/74S195 can either parallel load all four register bits via the parallel inputs (A, B, C, D) or shift each of the four register bits right one place. The shifting or parallel loading is under control of the shift/load input (S/L). When the shift/load input is LOW, data is loaded from the parallel data inputs; when the shift/load input is HIGH, data is loaded from the register bits on the left. The first bit, Q_A , is loaded via the J and \bar{K} inputs in the shift mode.

Rochester Electronics Manufactured Components

Rochester branded components are manufactured using either die/wafers purchased from the original suppliers or Rochester wafers recreated from the original IP. All re-creations are done with the approval of the Original Component Manufacturer (OCM).

Parts are tested using original factory test programs or Rochester developed test solutions to guarantee product meets or exceeds the OCM data sheet.

Quality Overview

- ISO-9001
- AS9120 certification
- Qualified Manufacturers List (QML) MIL-PRF-35835
 - Class Q Military
 - Class V Space Level
- Qualified Suppliers List of Distributors (QSLD)
 - Rochester is a critical supplier to DLA and meets all industry and DLA standards.

Rochester Electronics, LLC is committed to supplying products that satisfy customer expectations for quality and are equal to those originally supplied by industry manufacturers.

The original manufacturer's datasheet accompanying this document reflects the performance and specifications of the Rochester manufactured version of this device. Rochester Electronics guarantees the performance of its semiconductor products to the original OCM specifications. 'Typical' values are for reference purposes only. Certain minimum or maximum ratings may be based on product characterization, design, simulation, or sample testing.

FOR REFERENCE ONLY

Am54S/74S194 • Am54S/74S195

Four-Bit High-Speed Shift Registers

Distinctive Characteristics

- Parallel load or shift right with \overline{JK} inputs on Am54S/74S195
- Shift left, right, parallel load or do nothing on Am54S/74S194
- Fully synchronous shifting and parallel loading
- Buffered common clock
- Buffered common active-LOW clear
- 100% reliability assurance testing in compliance with MIL-STD-883

FUNCTIONAL DESCRIPTION

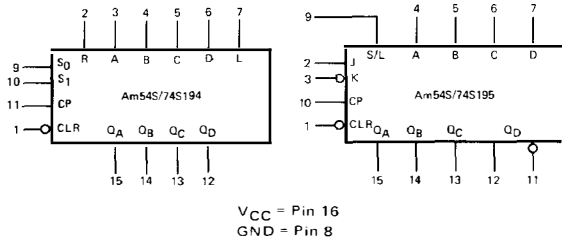
The Am54S/74S194 and Am54S/74S195 are 4-bit registers that exhibit fully synchronous operation in all operating modes. The Am54S/74S195 can either parallel load all four register bits via the parallel inputs (A, B, C, D) or shift each of the four register bits right one place. The shifting or parallel loading is under control of the shift/load input (S/L). When the shift/load input is LOW, data is loaded from the parallel data inputs; when the shift/load input is HIGH, data is loaded from the register bits on the left. The first bit, Q_A , is loaded via the J and \overline{K} inputs in the shift mode.

The Am54S/74S194 operates in four modes under control of the two select inputs, S_0 and S_1 . The four modes are parallel load (data comes from the parallel inputs), shift right (data comes from the flip-flop to the left, with the Q_D bit input from R), and hold or do nothing (each flip-flop receives data from its own output).

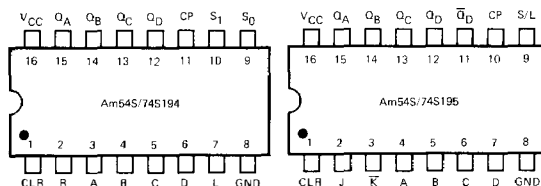
shift left (data comes from the flip-flop to the right, with the Q_D input from L), and hold or do nothing (each flip-flop receives data from its own output).

For both devices the outputs change state synchronously following a LOW-to-HIGH transition on the clock input, CP. Both devices have an active-LOW asynchronous clear (CLR) which forces all outputs to the LOW state (\overline{Q}_D HIGH) independent of any other inputs. All control inputs are buffered to present only one Schottky TTL load to the system, and all outputs can drive 10 Schottky loads in the LOW state and 20 in the HIGH state. Because all the flip-flops are D-type they do not catch 0's or 1's, and the only requirements on any inputs is that they meet the short set-up and hold time intervals with respect to the clock LOW-to-HIGH transition.

LOGIC SYMBOLS



CONNECTION DIAGRAMS Top Views



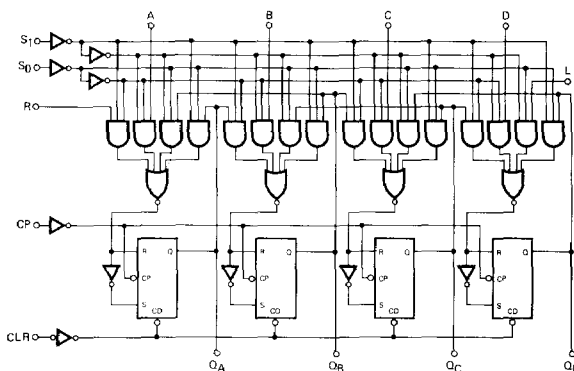
Note: Pin 1 is marked for orientation.

ORDERING INFORMATION

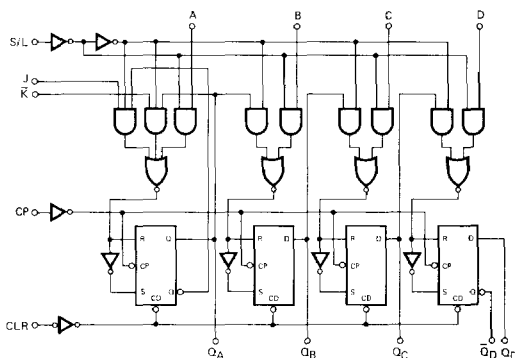
Package Type	Temperature Range	Am54S/74S194 Order Number	Am54S/74S195 Order Number
Molded DIP	0°C to +70°C	SN74S194N	SN74S195N
Hermetic DIP	0°C to +70°C	SN74S194J	SN74S195J
Dice	0°C to +70°C	SN74S194X	SN74S195X
Hermetic DIP	-55°C to +125°C	SN54S194J	SN54S195J
Hermetic Flat Pak	-55°C to +125°C	SN54S194W	SN54S195W
Dice	-55°C to +125°C	SN54S194X	SN54S195X

LOGIC DIAGRAMS

Am54S/74S194



Am54S/74S195



MAXIMUM RATINGS (Above which the useful life may be impaired)

Storage Temperature	-65°C to +150°C
Temperature (Ambient) Under Bias	-55°C to +125°C
Supply Voltage to Ground Potential (Pin 16 to Pin 8) Continuous	-0.5V to +7V
DC Voltage Applied to Outputs for HIGH Output State	-0.5V to +V _{CC} max.
DC Input Voltage	-0.5V to +5.5V
DC Output Current, Into Outputs	30 mA
DC Input Current	-30mA to +5.0mA

ELECTRICAL CHARACTERISTICS OVER OPERATING TEMPERATURE RANGE (Unless Otherwise Noted)

Am74S194, Am74S195	T _A = 0°C to +70°C	V _{CC} = 5.0 V ± 5% (COM'L)	MIN. = 4.75 V	MAX. 5.25 V
Am54S194, Am54S195	T _A = -55°C to +125°C	V _{CC} = 5.0 V ± 10% (MIL)	MIN. = 4.5 V	MAX. = 5.5 V

Parameters	Description	Test Conditions (Note 1)	Min.	Typ. (Note 2)	Max.	Units
V _{OH}	Output HIGH Voltage	V _{CC} = MIN., I _{OH} = -1 mA V _{IN} = V _{IH} or V _{IL}	Am74	2.7	3.4	Volts
			Am54	2.5	3.4	
V _{OL}	Output LOW Voltage	V _{CC} = MIN., I _{OL} = 20 mA V _{IN} = V _{IH} or V _{IL}			0.5	Volts
V _{IH}	Input HIGH Level	Guaranteed input logical HIGH voltage for all inputs	2			Volts
V _{IL}	Input LOW Level	Guaranteed input logical LOW voltage for all inputs			0.8	Volts
V _I	Input Clamp Voltage	V _{CC} = MIN., I _{IN} = -18 mA			-1.2	Volts
I _{IL} (Note 3)	Unit Load Input LOW Current	V _{CC} = MAX., V _{IN} = 0.5 V			-2	mA
I _{IH} (Note 3)	Unit Load Input HIGH Current	V _{CC} = MAX., V _{IN} = 2.7 V			50	μA
I _I	Input HIGH Current	V _{CC} = MAX., V _{IN} = 5.5 V			1	mA
I _{SC}	Output Short Circuit Current (Note 4)	V _{CC} = MAX.	-40		-100	mA
I _{CC}	Power Supply Current	V _{CC} = MAX.	S194 (Note 5 & 7)	85	135	mA
			54S195 (Note 6)	70	99	
			74S195 (Note 6)	70	109	

- Notes: 1. For conditions shown as MIN. or MAX., use the appropriate value specified under Electrical Characteristics for the applicable device type.
2. Typical limits are at V_{CC} = 5.0V, 25°C ambient and maximum loading.
3. Actual input currents = Unit Load Current x Input Load Factor (See Loading Rules).
4. Not more than one output should be shorted at a time. Duration of the short circuit test should not exceed one second.
5. Outputs open. Inputs A, B, C, D grounded. Inputs S₀, S₁, Clear, L, R, at 4.5V. Measured after a momentary ground, then 4.5V applied to clock.
6. Outputs open. S/L grounded. A, B, C, D, J, K at 4.5V. Measured after applying a momentary ground then 4.5V to the clear followed by ground then 4.5V to clock.
7. For T_A = 125°C: I_{CC} MAX. = 110mA for Am54S194W.

Switching Characteristics (T_A = +25°C)

Parameters	Description	Test Conditions	Min.	Typ.	Max.	Units
t _{PLH}	Clock to Output	V _{CC} = 5.0 V, C _L = 15 pF, R _L = 280 Ω	4	8	12	ns
t _{PHL}	Clock to Output		4	11	16.5	ns
t _{PHL}	Clear to Output			12.5	18.5	ns
t _{pw}	Clock Pulse Width		7			ns
t _{pw}	Clear Pulse Width		12			ns
t _s	Mode Control Set-up Time		11			ns
t _s	Data Input Set-up Time		5			ns
t _s	Clear Recovery to Clock		9			ns
t _h	Data Hold Time		3			ns
t _R	Shift/Load Release Time Am54S/74S195				6	ns
f _{MAX.}	Maximum Clock Frequency			70	105	MHz

DEFINITION OF FUNCTIONAL TERMS

J, \bar{K} The logic inputs used for controlling the Q_A flip-flop of the Am54S/74S195 register when S/L is HIGH.

CLR Clear. The asynchronous master reset input.

CP Clock pulse for the register. Enters data on the LOW-to-HIGH transition.

S/L Shift/Load. The input for selection of parallel or serial shifting for the AM54S/74S195 register. S/L LOW selects parallel entry.

S₀, S₁ The mode select inputs of the Am54S/74S194.

A, B, C, D The four parallel data inputs for the register.

R The serial input to the Q_A flip-flop of the Am54S/74S194 in the right shift mode.

L The serial input to the Q_D flip-flop of the Am54S/74S194 in the left shift mode.

Q_A, Q_B, Q_C, Q_D The four true outputs of the register.

\bar{Q}_D The complement output of the Q_D flip-flop. (Am54S/74S195 only).

LOADING RULES (In Unit Loads)

Am54S/74S195	Am54S/74S194	Input/Output	Pin No.'s	Input Unit Load	Output HIGH	Output LOW
CLR	CLR		1	1	-	-
J	R		2	1	-	-
\bar{K}	A		3	1	-	-
A	B		4	1	-	-
B	C		5	1	-	-
C	D		6	1	-	-
D	L		7	1	-	-
GND	GND		8	-	-	-
Shift/Load	S ₀		9	1	-	-
CP	S ₁		10	1	-	-
\bar{Q}_D	-		11	-	20	10
-	CP		11	1	-	-
Q _D	Q _D		12	-	20	10
Q _C	Q _C		13	-	20	10
Q _B	Q _B		14	-	20	10
Q _A	Q _A		15	-	20	10
V _{CC}	V _{CC}		16	-	-	-

FUNCTION TABLE
Am54S/74S194

FUNCTION	Clear	INPUTS				OUTPUTS							
		Mode S ₁ S ₀	Clock	Serial Left Right		Parallel A B C D				Q _A	Q _B	Q _C	Q _D
Clear	L	X X	X	X X	X X	X X	X X	X X	X X	L	L	L	L
No Change	H	X X	L	X X	X X	X X	X X	X X	X X	NC	NC	NC	NC
	H	X X	H	X X	X X	X X	X X	X X	X X	NC	NC	NC	NC
Parallel Load	H	H H	↑	X X	X X	D ₀	D ₁	D ₂	D ₃	D ₀	D ₁	D ₂	D ₃
Shift Right	H	L H	↑	X L	X X	X X	X X	X X	X X	L	Q _A	Q _B	Q _C
	H	L H	↑	X H	X X	X X	X X	X X	X X	H	Q _A	Q _B	Q _C
Shift Left	H	H L	↑	L X	X X	X X	X X	X X	X X	Q _B	Q _C	Q _D	L
	H	H L	↑	H X	X X	X X	X X	X X	X X	Q _B	Q _C	Q _D	H
Hold	H	L L	X	X X	X X	X X	X X	X X	X X	NC	NC	NC	NC

H = HIGH
L = LOW
↑ = LOW-to-HIGH transition.
D_i = May be a HIGH or a LOW and the respective output will assume the same state.

X = Don't Care
NC = No Change

FUNCTION TABLE
Am54S/74S195

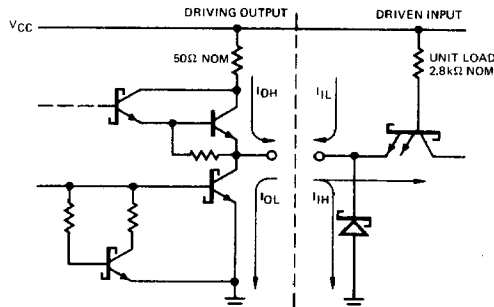
FUNCTION	Clear	Shift/Load	Clock	INPUTS								OUTPUTS			
				Serial J R		Parallel A B C D				Q _A	Q _B	Q _C	Q _D	\bar{Q}_D	
L	X	X	X	X X	X X	X X	X X	X X	X X	L	L	L	L	H	
H	X	L	X	X X	X X	X X	X X	X X	X X	NC	NC	NC	NC	NC	
H	X	H	X	X X	X X	X X	X X	X X	X X	NC	NC	NC	NC	NC	
H	L	↑	X	X X	D ₀	D ₁	D ₂	D ₃	D ₃	D ₀	D ₁	D ₂	D ₃	\bar{D}_3	
H	H	↑	L	H	X X	X X	X X	X X	X X	Q _A	Q _A	Q _B	Q _C	\bar{Q}_C	
H	H	↑	L	L	X X	X X	X X	X X	X X	L	Q _A	Q _B	Q _C	\bar{Q}_C	
H	H	↑	H	H	X X	X X	X X	X X	X X	H	Q _A	Q _B	Q _C	\bar{Q}_C	
H	H	↑	H	L	X X	X X	X X	X X	X X	Q _A	Q _A	Q _B	Q _C	\bar{Q}_C	

H = HIGH
L = LOW
↑ = LOW-to-HIGH transition.
D_i = May be a HIGH or a LOW and the respective output will assume the same state.

X = Don't Care
NC = No Change

Notes: 1. If the J and \bar{K} inputs are tied together, the common line becomes a D-Type input to the first bit in the shift mode.
2. Linear feedback shift counters can be made by connecting the Q_D and \bar{Q}_D outputs to the K and J inputs, respectively.

SCHOTTKY INPUT/OUTPUT CURRENT INTERFACE CONDITIONS

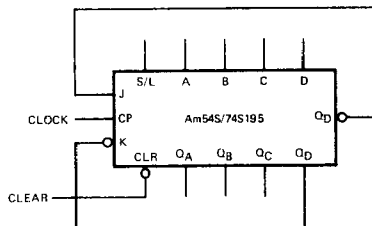


Note: Actual current flow direction shown

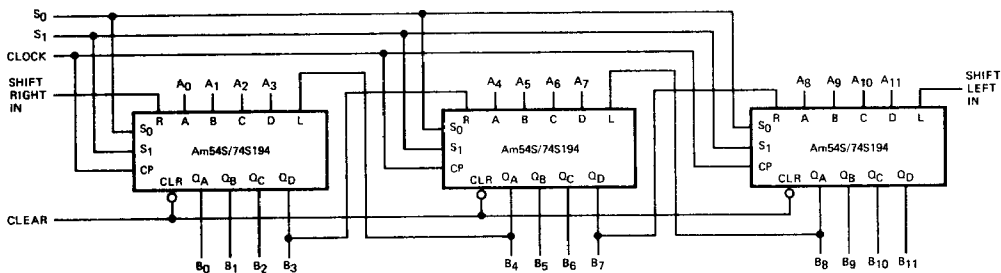
APPLICATIONS

HIGH-SPEED MOD 15 LINEAR FEEDBACK SHIFT REGISTER

Sequence is 0, 1, 2, 5, 10, 4, 9, 3, 6, 13, 11, 7, 14, 12, 8, 0 (15 is non-self correcting; use clear to initialize)

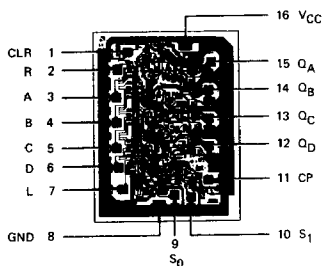


12-BIT SHIFT-LEFT, SHIFT-RIGHT, PARALLEL-LOAD REGISTER



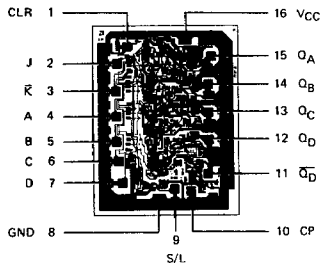
Metallization and Pad Layouts

Am54S/74S194



DIE SIZE 0.072" X 0.093"

Am54S/74S195



DIE SIZE 0.072" X 0.093"