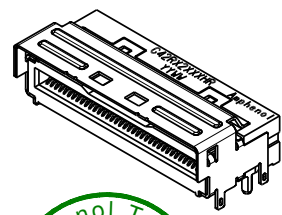
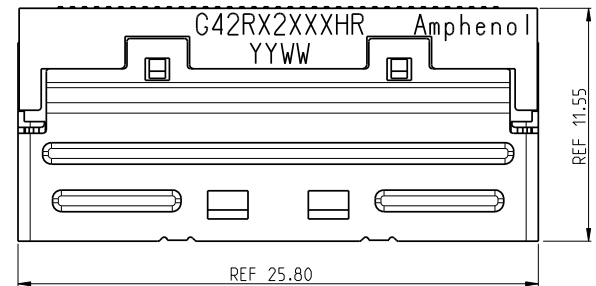


This document is the property of Amphenol Corporation and is delivered on the express condition that is not to be disclosed, reproduced or used, in whole or in part, for manufacture or sale by anyone other than Amphenol Corporation without its prior consent, and that no right is granted to disclose or to use any information in this document.

The marking on this product doesn't contain environmental hazardous materials per Material Specification SS-00259 for Sony GP compliant or per directive 2011/65/EU for RoHS compliant or per IEC 61249-2-21 for Halogen-Free compliant.

FOR REFERENCE ONLY

REVISIONS				
SYM	ECN No.	DESCRIPTION	DATE	BY
AX3	NA	ADDED PRINTING ON PRODUCT(PART NUMBER, DATE CODE AND LOGO)	05/25/2018	JOAN LU
AX4	NA	ADDED PACKAGE DRAWING	06/08/2018	JOAN LU
AX5	NA	ADDED SHELL LENGTH LENGTH OPTION	06/27/2018	JOAN LU
AX6	NA	ADDED SHELL LENGTH LENGTH OPTION	08/15/2018	JOAN LU
AX7	NA	MODIFIED LOCATION OF SHELL PIN	11/06/2018	JOAN LU
AX8	NA	UPDATED APPEARANCE OF CAGE	12/07/2018	JOAN LU



G42 R X X X X X XX

MINI COOL EDGE 10 INTEGRATED CONNECTOR

CONNECTOR SPEED
1 : 24G FOR 85ohm
A: 24G FOR 100ohm

CHENNAI/PIN QTY
2: 8X,74P

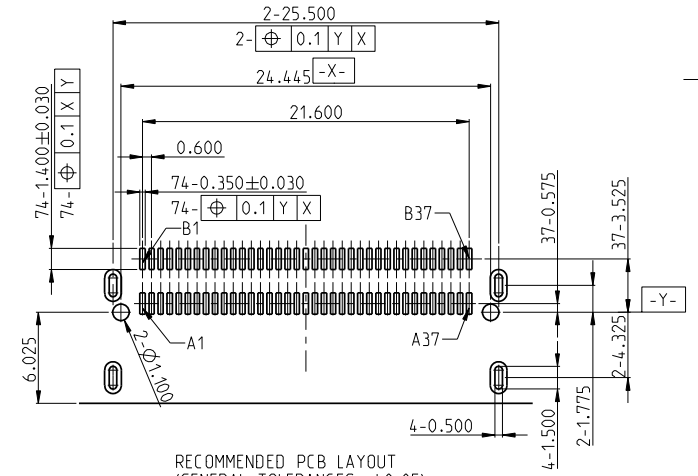
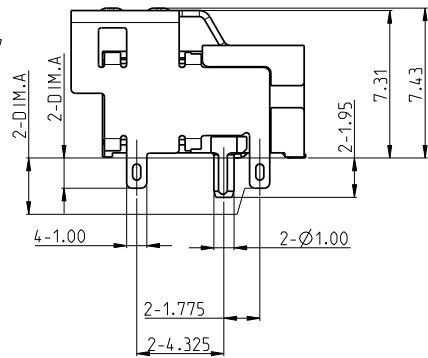
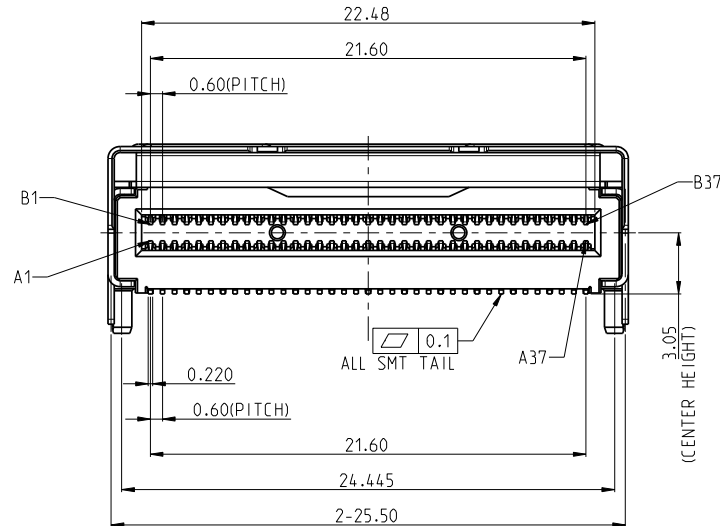
CONTACT FINISH
3: 30u" GOLD

COMPLIANT CODE
HR: HALOGEN-FREE & RoHS

VARIATION CODE
BLANK: STANDARD

PACKING CODE
2: TAPE AND REEL

SHELL PIN LENGTH OPTIONS(DIM. A)
1: 1.50mm
2: 2.20mm
3: 3.00mm
4: 4.20mm



NOTES:
1. MATERIALS:
HOSUING : HIGH TEMPERATUR THERMOPLASTIC UL94-0.
SHELL : STAINLESS
CONTACT: COPPER ALLOY
2: FINISH
TERMINAL : CONTACT AREA : SELECTED GOLD PLATING.
UNDER PLATING: NICKEL PLATING 50u"MIN OVER ALL
SHELL : UNDER PLATING: SOLDERABLE NICKEL PLATING 50u"MIN OVER ALL
3.THIS PRODUCT DOESN'T CONTAIN ENVIROMENTAL HAZARDOUS MATERIALS PER DERCTIVE 2011/65/EC FOR RoHS AND PER IEC 61249-2-21 FOR HALOGEN FREE.

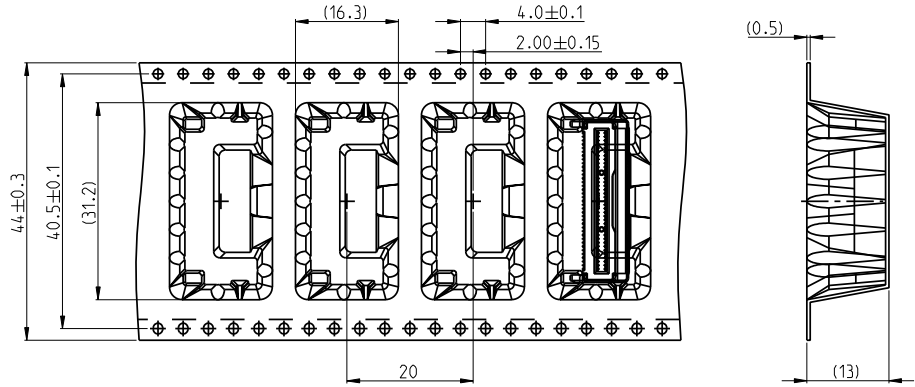
TOLERANCE	DRAWN	APPROVALS	DATE	TITLE	Amphenol® Amphenol Corporation Amphenol Taiwan Corporation			
X.	DESIGNED	Joan Lu	12/07/2018	MINI COOL EDGE 10 INTEGRATED CONNECTOR 0.6 PITCH, R/A, 74PINS STANDARD. SMT TYPE	UNIT mm	SIZE A3	PART No. G42RX2XXXHR	REV. AX8
X.X ±0.30	CHECKED	Sondra Sang	12/07/2018					
X.XX ±0.20	APPROVED	Hank Hsu	12/07/2018					
X.XXX ±0.10	DWG TYPE	CUST DWG	PROJECT CODE 1637	UNLESS OTHER WISE SPECIFIED	SCALE NA	SHEET 1 OF 2	DWG No. G42RX2XXXHR	

This document is the property of Amphenol Corporation and is delivered on the express condition that is not to be disclosed, reproduced or used, in whole or in part, for manufacture or sale by anyone other than Amphenol Corporation without its prior consent, and that no right is granted to disclose or to use any information in this document.

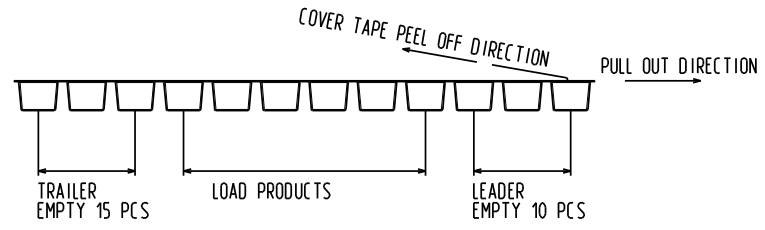
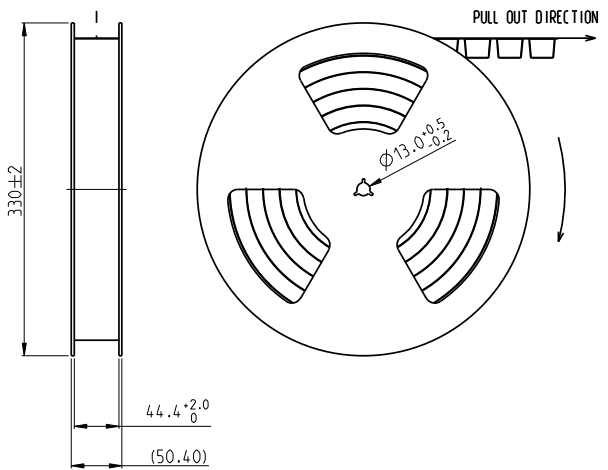
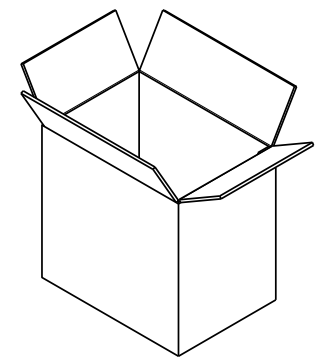
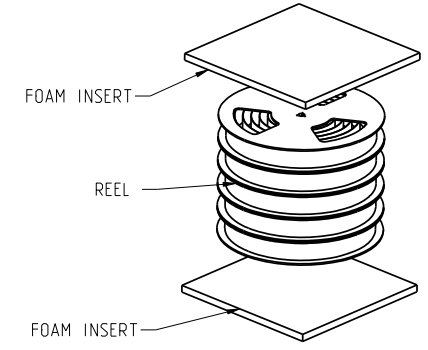
The marking on this product doesn't contain environmental hazardous materials per Material Specification SS-00259 for Sony GP compliant or per directive 2011/65/EU for RoHS compliant or per IEC 61249-2-21 for Halogen-Free compliant.



FOR REFERENCE ONLY



REVISIONS				
SYM	ECN No.	DESCRIPTION	DATE	BY
AX3	NA	ADDED PRINTING ON PRODUCT(PART NUMBER, DATE CODE AND LOGO)	05/25/2018	JOAN LU
AX4	NA	ADDED PACKAGE DRAWING	06/08/2018	JOAN LU
AX5	NA	ADDED SHELL LENGTH OPTION	06/27/2018	JOAN LU
AX6	NA	ADDED SHELL LENGTH OPTION	08/15/2018	JOAN LU
AX7	NA	MODIFIED LOCATION OF SHELL PIN	11/06/2018	JOAN LU
AX8	NA	UPDATED APPEARANCE OF CAGE	12/07/2018	JOAN LU



- NOTE 2:
- 1.COMPONENT Q'TY:
250PCS/REEL
5 REEL/CARTON
1250 PCS/ CARTON
 2. CARTON SIZE
340L X 340W X 265H
 3. PREFER TO AMTA LABELING STANDARD.
 4. CARTON CLOSURES MUST BE SEALED WITH TAPE.

- NOTE 1 :
- 1.MATERIAL:
CARRIER TAPE: POLYSTYRENE, BLACK
COVER TAPE: TRANSPARENT POLYSTYRENE
REEL: POLYSTYRENE, BLACK
 - 2.ALL TAPE AND REEL SPECIFICATION FOLLOW EIA-481 STANDARD.
 - 3.THIS PRODUCT DOESN'T CONTAIN ENVIRONMENTAL HAZROUDS PER DIRECTIVE 2002/95/EC FOR RoHS.

TOLERANCE	DRAWN	APPROVALS	DATE	TITLE	 Amphenol® Amphenol Corporation Amphenol Taiwan Corporation			
X. X.X ±0.30 X.XX ±0.20 X.XXX ±0.10	DESIGNED	Joan Lu	12/07/2018	MINI COOL EDGE 10 INTEGRATED CONNECTOR 0.6 PITCH, R/A, 74PINS STANDARD, SMT TYPE	UNIT	mm	SIZE	A3
ANGULAR ±2°	CHECKED	Sondra Sang	12/07/2018		SCALE	NA	SHEET	2 OF 2
UNLESS OTHERWISE SPECIFIED	APPROVED	Hank Hsu	12/07/2018		PART No.	G42RX2XXXHR		
	DWG TYPE	CUST DWG	PROJECT CODE	1637	DWG No.	G42RX2XXXHR		
					REV.	AX8		