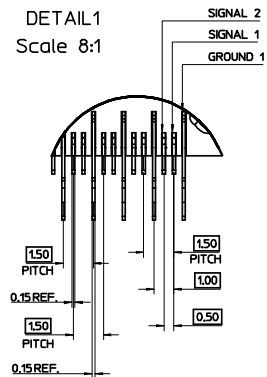
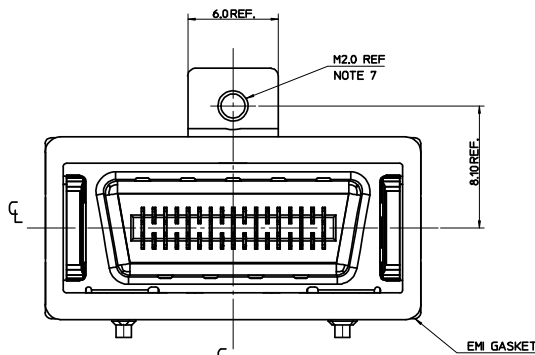
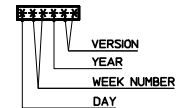


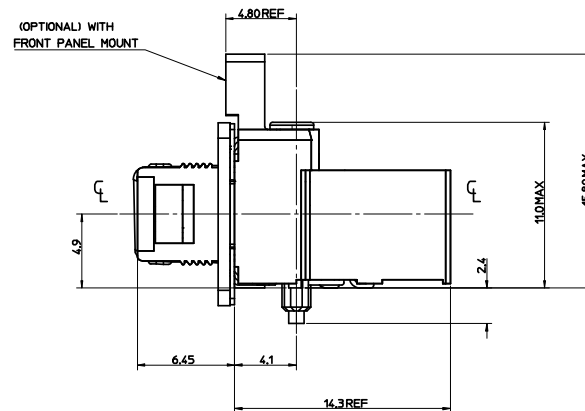
DETAIL1  
Scale 8:1



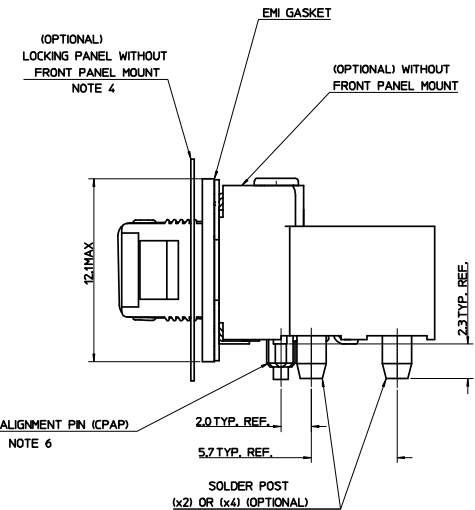
DETAIL2  
Scale 6:1



(OPTIONAL) WITH FRONT PANEL MOUNT

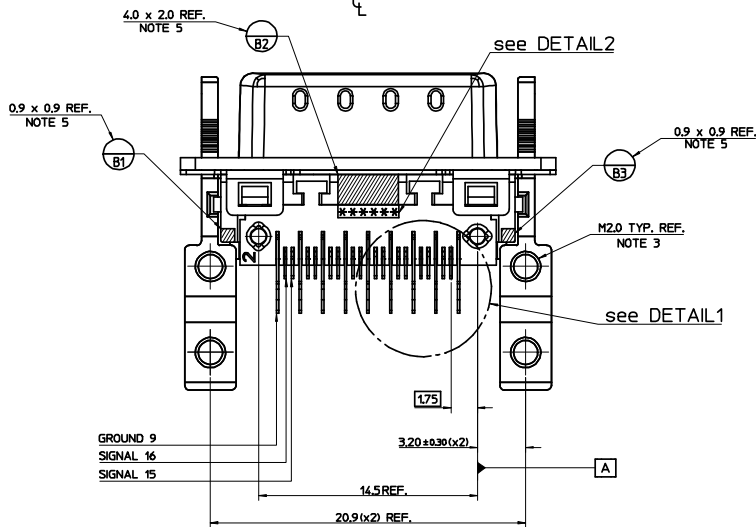


CRUSH PCB ALIGNMENT PIN (CPAP)  
NOTE 6



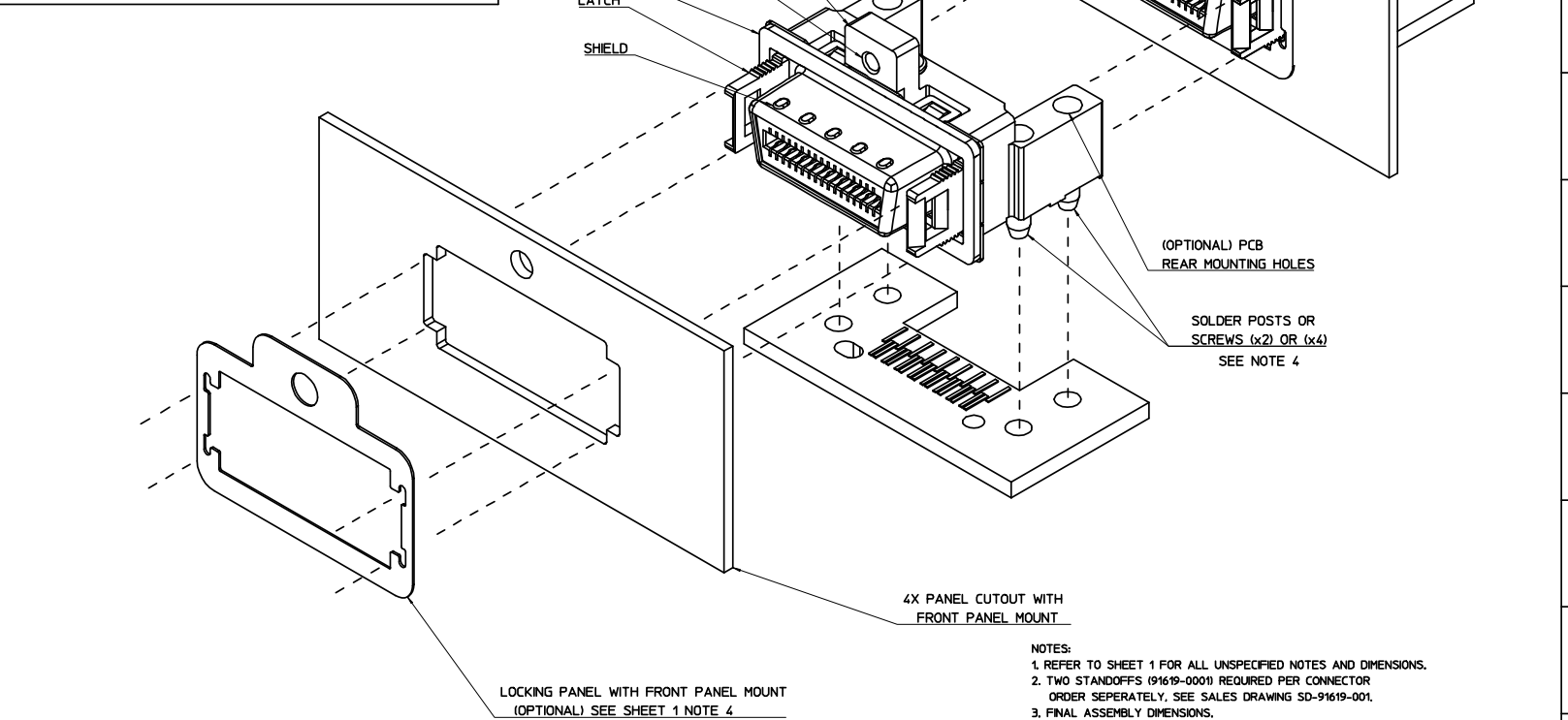
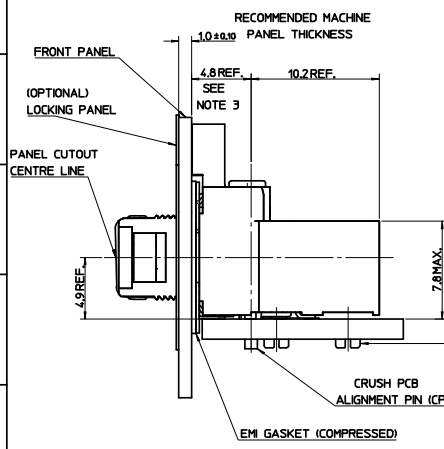
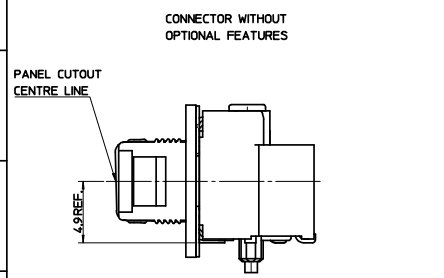
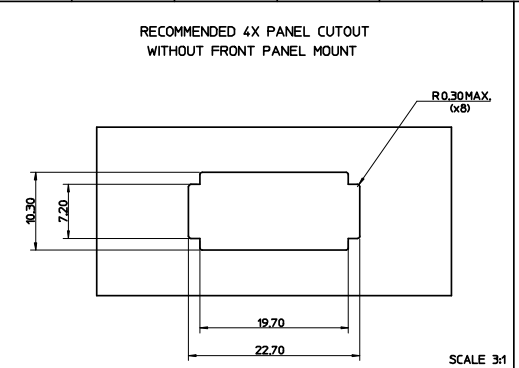
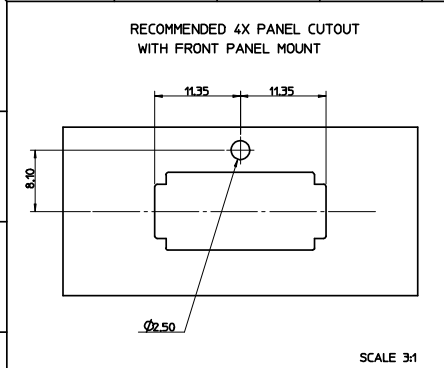
NOTES:

1. PRODUCT SPECIFICATION PS-91525-001
2. PACKAGING SPECIFICATION PK-91525-002 (TRAY) PK-91525-004 (TAPE AND REEL)
3. SCREW THREAD M2.0 X 0.4 PITCH TAPED THROUGH, RECOMMENDED SCREW M2 X 0.4 PITCH, LENGTH 8mm, WITH A PAN HEAD, RECOMMENDED TORQUE 0.3 Nm.
4. LOCKING PANEL (191532) ONE PER CONNECTOR ORDER SEPARATE SEE SALES DRAWING SD-91532-001
5. PCB DATUM B = B1 + B2 + B3
6. CPAP USED TO ALIGN THE SOLDER TAILS WITH THE PCB SOLDER PADS.
7. SCREW THREAD M2.0 X 0.4 PITCH TAPED THROUGH, RECOMMENDED SCREW M2 X 0.4 PITCH, LENGTH 5mm WITH A PAN HEAD, RECOMMENDED TORQUE 0.3Nm.
8. RECPACLE CONTACTS 127um MIN NICKEL ALL OVER CONTACT AREA 0.10um MIN GOLD OVER 0.76um MIN PALLADIUM NICKEL SMT AREA 3um MIN TIN.
9. FOR 12X PARTS PLEASE REFER TO SD-91525-004



MOD TO SUB HOUSING EC NO: E2008-0258 DRAWN BY: DRWNLK/TERMAN CHKD: 2008/05/02 APPROV: BMAGUIRE 2008/05/06	QUALITY SYMBOLS =0 =0	GENERAL TOLERANCES (UNLESS SPECIFIED)		DIMENSION STYLE		SCALE	DESIGN UNITS	THIRD ANGLE PROJECTION	
		mm	INCH	MM ONLY		6:1	METRIC	☐	
		4 PLACES ± --- ±	3 PLACES ± --- ±	DRAWN BY	DATE	TITLE			
		2 PLACES ± 0.10 ±	1 PLACE ± 0.2 ±	CHECKED BY	DATE	LANELINK F CONN 4X LATCH W/O EMI SHIELD OPTION			
ANGULAR ± 2°		APPROVED BY		DATE	MOLEX INCORPORATED				
DRAFT WHERE APPLICABLE MUST REMAIN WITHIN DIMENSIONS		MATERIAL NO.		DATE	DOCUMENT NO.				
SEE SHEET 4		SD-91525-006		SD-91525-006		SHEET NO.			
THIS DRAWING CONTAINS INFORMATION THAT IS PROPRIETARY TO MOLEX INCORPORATED AND SHOULD NOT BE USED WITHOUT WRITTEN PERMISSION		SIZE		A1		1 OF 4			





- NOTES:
1. REFER TO SHEET 1 FOR ALL UNSPECIFIED NOTES AND DIMENSIONS.
  2. TWO STANDOFFS (91619-0001) REQUIRED PER CONNECTOR ORDER SEPARATELY. SEE SALES DRAWING SD-91619-001.
  3. FINAL ASSEMBLY DIMENSIONS.
  4. PCB RETENTION OPTIONS:  
2 OR 4 SCREWS, (4 FOR REAR MOUNT OPTION)  
2 OR 4 SOLDER POSTS, (4 FOR REAR MOUNT OPTIONS).
  5. RECOMMENDED SCREW THREAD M2 X 0.4 PITCH, LENGTH 8mm, WITH A PAN HEAD. RECOMMENDED TORQUE 0.3 Nm MAX.

SEE SHEET 1 EC NO: E2008-0458 DRAWN: KIERMAN 2008/04/28 CHKD: 2008/05/02 APPR: BMAGUIRE 2008/05/06	QUALITY SYMBOLS	GENERAL TOLERANCES (UNLESS SPECIFIED)	DIMENSION STYLE	SCALE	DESIGN UNITS	THIRD ANGLE PROJECTION
	$\nabla=0$ $\nabla=0$	mm    INCH 4 PLACES ± --- ± --- 3 PLACES ± --- ± --- 2 PLACES ± 0.10 ± --- 1 PLACE ± 0.2 ± --- ANGULAR ± 2°	MM ONLY	5:1	METRIC	
	DRAFT WHERE APPLICABLE MUST REMAIN WITHIN DIMENSIONS	DRAWN BY: DWALSH CHECKED BY: KDELANEY APPROVED BY: JWALLACE DATE: 17/01/05 DATE: 20/01/05 DATE: 28/01/05	TITLE LANELINK F CONN 4X LATCH W/O EMI SHIELD OPTION	MOLEX INCORPORATED DOCUMENT NO. SD-91525-006		
	SHEET NO. 3 OF 4	THIS DRAWING CONTAINS INFORMATION THAT IS PROPRIETARY TO MOLEX INCORPORATED AND SHOULD NOT BE USED WITHOUT WRITTEN PERMISSION				

