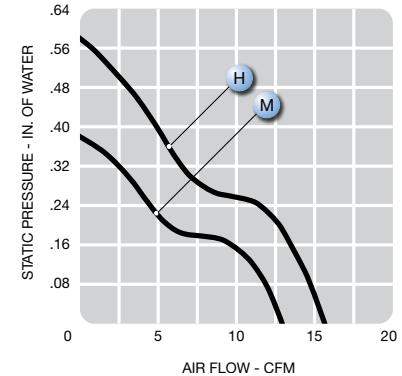
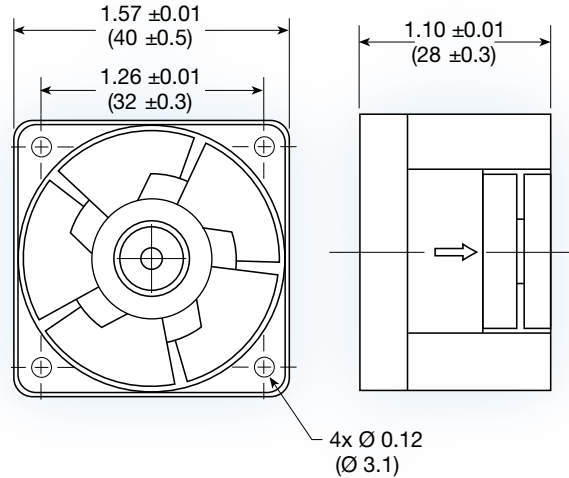


G4028 series



(40 x 40 x 28 mm)
1.57 x 1.57 x 1.10 inches

Features:	unique x-frame design
Construction:	UL94V-0 PBT impeller and frame
Bearing option:	ball bearing
Connection:	AWG 26, UL1007 lead wires
Frame:	x-frame, ribbed
Protection:	thermal
Options:	tachometer output or locked rotor alarm signal

Model No.	Rated Voltage V	Operating Voltage V	Current mA	Speed RPM	Air Volume		Max. Static Pressure (H ₂ O)		Sound Noise dBa	Weight g
					M ³ /Min.	CFM	MM	INCH		
G4028M	12	8 - 14	200	8,000	0.37	13.0	9.30	0.37	37	50
G4028H	12	8 - 14	400	10,000	0.46	16.0	14.40	0.57	41	50
G4028M	24	15 - 28	150	8,000	0.37	13.0	9.30	0.37	37	50
G4028H	24	15 - 28	250	10,000	0.46	16.0	14.40	0.57	41	50

