

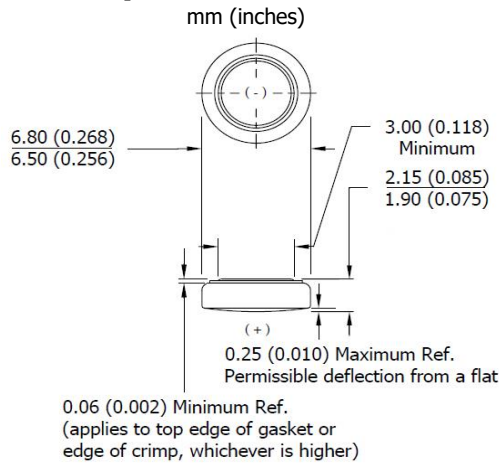
ENERGIZER 364/363

ZEROMERCURY®

SILVER OXIDE



Industry Standard Dimensions



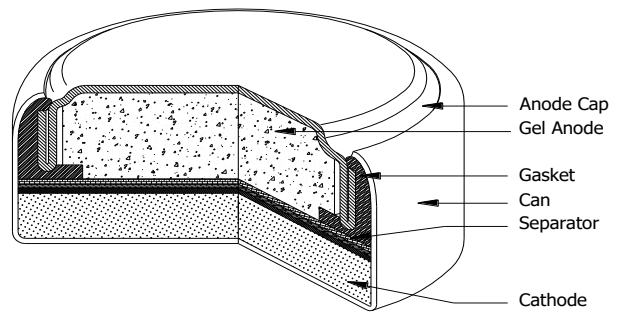
DESIGNED FOR USE ON CONTINUOUS LOW DRAIN
HIGH PULSE ON DEMAND

Specifications

Chemical System:	Silver Oxide (Zn/Ag ₂ O)
Designation:	ANSI-1175SO, IEC-SR60
Nominal Voltage:	1.55 Volts
Typical Capacity:	19 mAh* (to 1.2 volts)
Capacity Test:	68K ohm continuous drain at 21°C
Typical Weight:	0.37 grams (0.012 oz.)
Typical Volume:	0.08 cubic centimeters (0.005 cubic inch)
Impedance (40 Hz):	10 to 20 ohms

* Varies according to the applied load, temperature, and cutoff voltage.

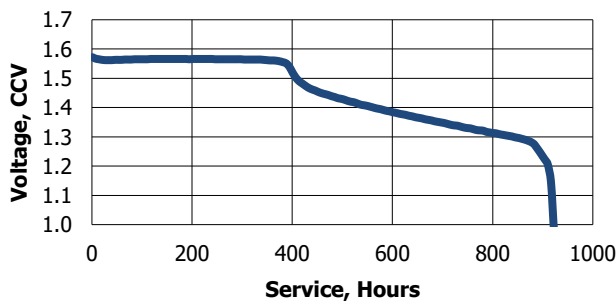
Cross Section



Typical Discharge Characteristics

Typical Performance at 21°C (70°F)

Schedule: Continuous
Typical Drain @1.42V:
0.021 milliamperes
Load: 68K ohm

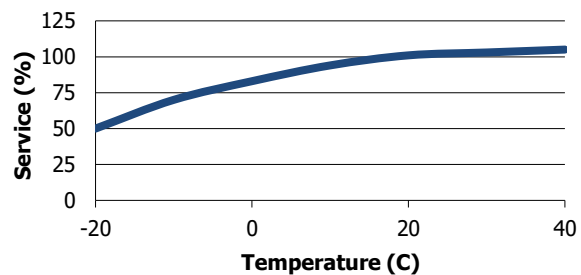


Schedule	Typical Drains at 1.46V (milliamperes)	Load (ohm)	Cutoff (hours)
Continuous	0.021	68K	910

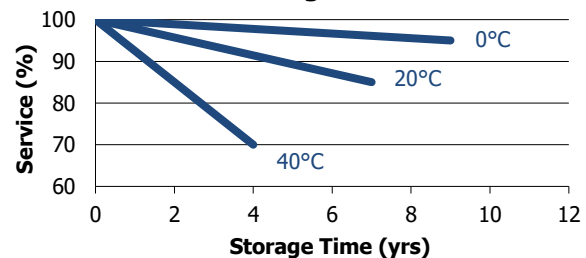
Temperature Characteristics

Typical Performance at Low Discharge Rates

Service Effects



Storage Effects



Important Notice

This datasheet contains typical information specific to products manufactured at the time of its publication.
Contents herein do not constitute a warranty and are for reference only.