

注記 NOTES

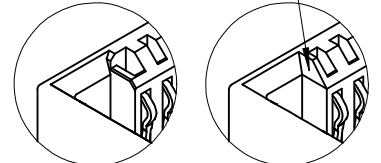
1. 材質 MATERIAL
 ハウジング: PBT, ガラス充填, UL94V-0, 自然色
 HOUSING: POLYBUTYLENE TEREPHTHALATE, GLASS FILLED, UL94V-0, NATURAL
 ターミナル: 銅合金 (t=0.5)
 TERMINAL: COPPER ALLOY (t=0.5)
 金具: リン青銅 (t=0.48)
 METAL PEG: PHOSPHOR BRONZE (t=0.48)

2. メッキ仕様 FINISHES
 ターミナル TERMINAL
 接点部: ニッケル下地金メッキ
 CONTACT AREA: GOLD OVER NICKEL PLATING.
 金メッキ 0.1マイクロメートル以上
 GOLD 0.1 MICROMETERS MINIMUM.
 ニッケル下地めっき 1.0マイクロメートル以上
 NICKEL 1.0 MICROMETERS MINIMUM.
 半田付け部: ニッケル下地銅メッキ
 SOLDER TAIL: TIN OVER NICKEL PLATING
 錫メッキ 1.0マイクロメートル以上
 TIN 1.0 MICROMETERS MINIMUM.
 ニッケル下地メッキ 1.0マイクロメートル以上
 NICKEL 1.0 MICROMETERS MINIMUM.
 金具: ニッケル下地銅メッキ
 METAL PEG: TIN OVER NICKEL PLATING.
 錫メッキ 1.0マイクロメートル以上
 TIN 1.0 MICROMETERS MINIMUM.
 ニッケル下地メッキ 1.0マイクロメートル以上
 NICKEL 1.0 MICROMETERS MINIMUM.

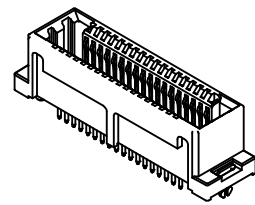
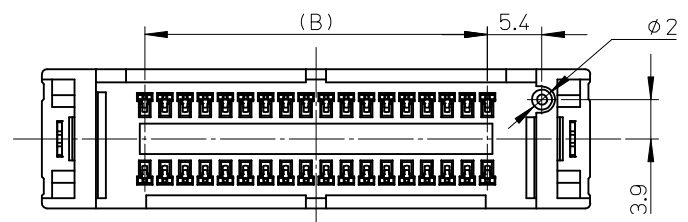
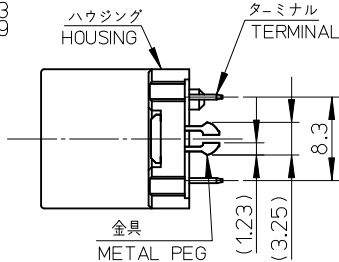
3. 嵌合相手: 504151 MATING CONNECTOR: 504151
 4. ELV及びRoHS適合品 ELV AND ROHS COMPLIANT.

△ 30, 40極は、両端リブ有り形状。
 CASE OF 30, 40CKTS EXISTS RIB OF BOTH ENDS.

両端リブ RIB OF BOTH ENDS.

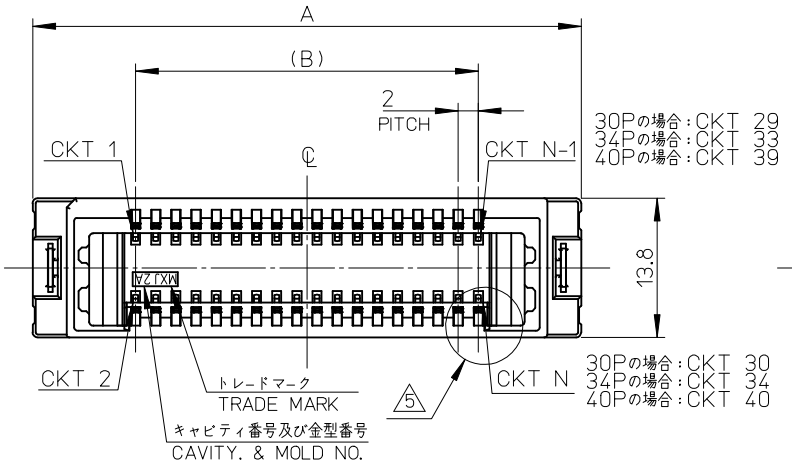
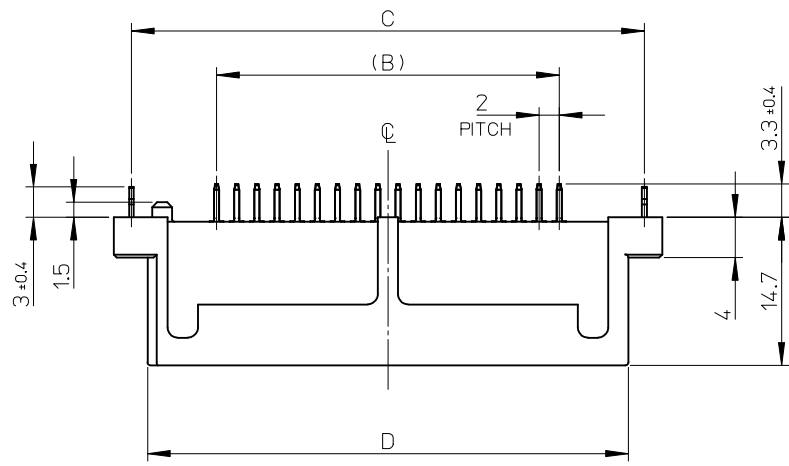


その他極数の場合 OTHER CKTS
 30, 40極の場合 30, 40CKTS



GRAY	51.7	54.9	38	58.4	5041544011	504154****	40
NATURAL					5041544000		
GRAY	45.7	48.9	32	52.4	5041543411	504154****	34
NATURAL	41.7	44.9	28	48.4	5041543000		
HSG COLOR	D	C	B	A	TRAY PACKAGE	MODEL No.	CIRCUIT
					オーダー番号 ORDER No.		

RELEASED EC NO: J2016-0467 DRWN: NITO CHKD: KASAKAWA APPR: NUKITA	2015/10/20 2015/11/05 2015/11/05	DESCRIPTION GENERAL TOLERANCES (UNLESS SPECIFIED) 0.25 UNDER UNDER ±0.03 0.25 OVER 0.5 UNDER ±0.05 0.5 OVER 1.0 UNDER ±0.1 1.0 OVER 10 UNDER ±0.2 10 OVER 30 UNDER ±0.25 30 OVER ±0.3 ANGULAR ±3 ° DRAFT WHERE APPLICABLE MUST REMAIN WITHIN DIMENSIONS	DIMENSION STYLE MM ONLY DRAWN BY DATE NITO 2012/10/16 CHECKED BY DATE KASAKAWA 2012/10/16 APPROVED BY DATE YOITO 2012/10/18	SCALE 2:1 DESIGN UNITS METRIC THIRD ANGLE PROJECTION	TITLE 2.0 FLOATING CONN. REC HS'G ASS'Y molex ENTER PART SD-504154-001	SHEET NO. 1 OF 2	
							MATERIAL NO. ORDER No.
							THIS DRAWING CONTAINS INFORMATION THAT IS PROPRIETARY TO MOLEX INCORPORATED AND SHOULD NOT BE USED WITHOUT WRITTEN PERMISSION
							SIZE A3
							DOCUMENT NO.



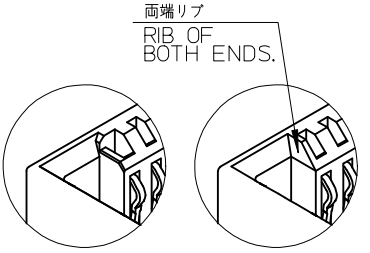
注記 NOTES

1. 材質 MATERIAL
 ハウジング: PBT, ガラス充填, UL94V-0, 自然色
 HOUSING: POLYBUTYLENE TEREPHTHALATE, GLASS FILLED, UL94V-0, NATURAL
 ターミナル: 銅合金 (t=0.5)
 TERMINAL: COPPER ALLOY (t=0.5)
 金具: リン青銅 (t=0.48)
 METAL PEG: PHOSPHOR BRONZE (t=0.48)

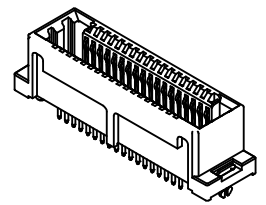
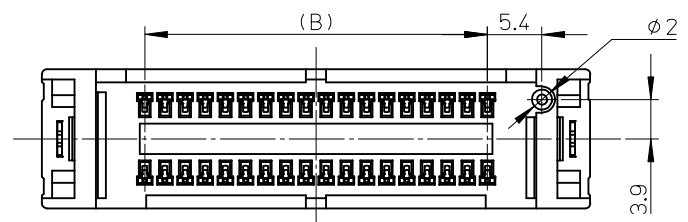
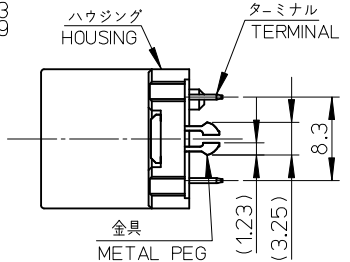
2. メッキ仕様 FINISHES
 ターミナル TERMINAL
 接点部: ニッケル下地金メッキ
 CONTACT AREA: GOLD OVER NICKEL PLATING.
 金メッキ 0.1マイクロメートル以上
 GOLD 0.1 MICROMETERS MINIMUM.
 ニッケル下地めっき 1.0マイクロメートル以上
 NICKEL 1.0 MICROMETERS MINIMUM.
 半田付け部: ニッケル下地銅メッキ
 SOLDER TAIL: TIN OVER NICKEL PLATING
 錫メッキ 1.0マイクロメートル以上
 TIN 1.0 MICROMETERS MINIMUM.
 ニッケル下地メッキ 1.0マイクロメートル以上
 NICKEL 1.0 MICROMETERS MINIMUM.
 金具: ニッケル下地銅メッキ
 METAL PEG: TIN OVER NICKEL PLATING.
 錫メッキ 1.0マイクロメートル以上
 TIN 1.0 MICROMETERS MINIMUM.
 ニッケル下地メッキ 1.0マイクロメートル以上
 NICKEL 1.0 MICROMETERS MINIMUM.

3. 嵌合相手: 504151 MATING CONNECTOR: 504151
 4. ELV及びRoHS適合品 ELV AND ROHS COMPLIANT.

△ 30, 40極は、両端リブ有り形状。
 CASE OF 30, 40CKTS EXISTS RIB OF BOTH ENDS.

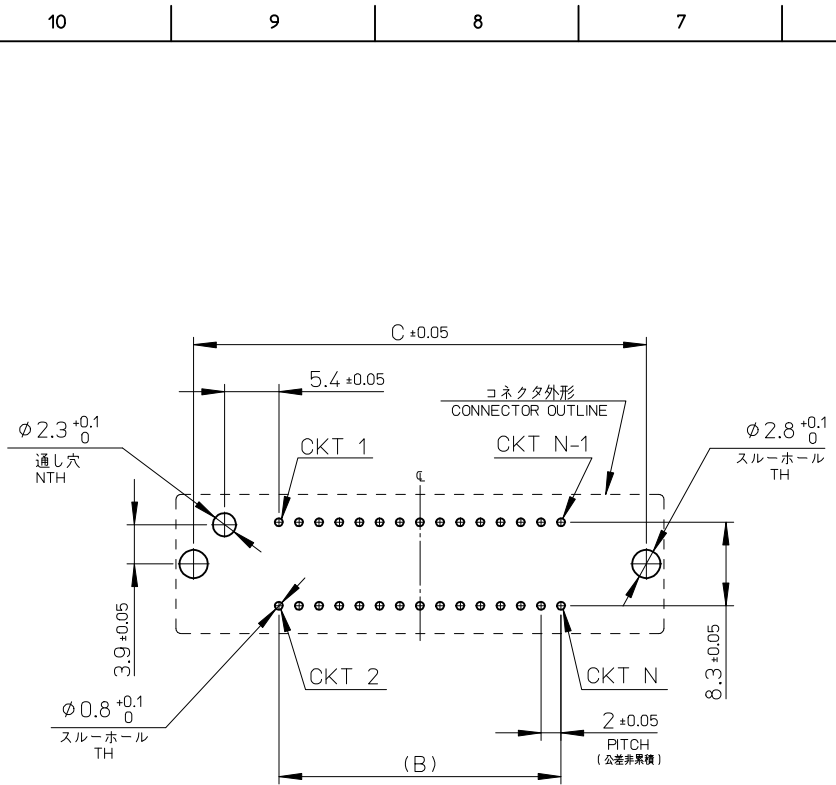


その他極数の場合 OTHER CKTS
 30, 40極の場合 30, 40CKTS

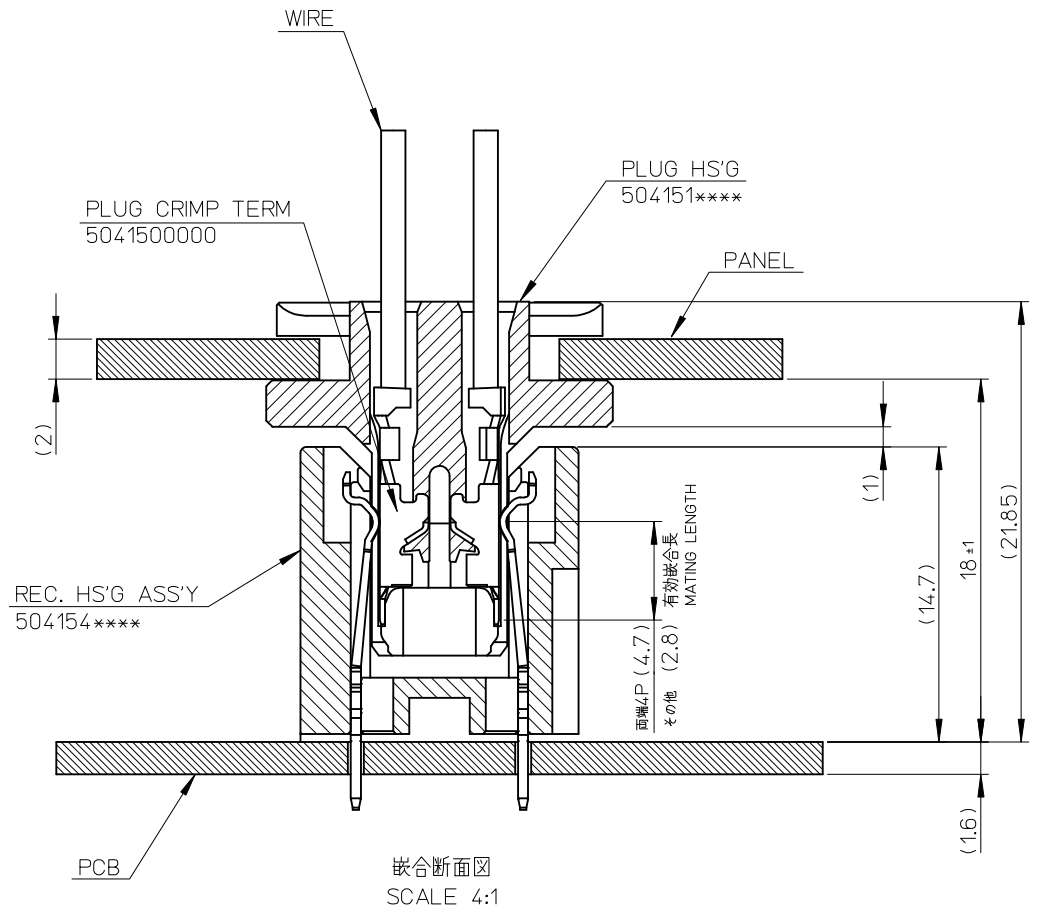


GRAY	51.7	54.9	38	58.4	5041544011	504154****	40
NATURAL					5041544000		
GRAY	45.7	48.9	32	52.4	5041543411	504154****	34
NATURAL	41.7	44.9	28	48.4	5041543000		
HSG COLOR	D	C	B	A	TRAY PACKAGE	MODEL No.	CIRCUIT
					オーダー番号 ORDER No.		

RELEASED EC NO.: J2016-0467 DRWN: NITO 2015/10/20 CHKD: KASAKAWA 2015/11/05 APPR: NUKITA 2015/11/05	GENERAL TOLERANCES (UNLESS SPECIFIED)			DIMENSION STYLE MM ONLY		SCALE 2:1	DESIGN UNITS METRIC	THIRD ANGLE PROJECTION
	0.25 UNDER	UNDER	±0.03	DRAWN BY NITO	DATE 2012/10/16	TITLE 2.0 FLOATING CONN. REC HS'G ASS'Y		
	0.25 OVER	0.5 UNDER	±0.05	CHECKED BY KASAKAWA	DATE 2012/10/16			
	0.5 OVER	1.0 UNDER	±0.1	APPROVED BY YOITO	DATE 2012/10/18			
	1.0 OVER	10 UNDER	±0.2	MATERIAL NO.		DOCUMENT NO.	SHEET NO.	
10 OVER	30 UNDER	±0.25	ENTER PART		SD-504154-001	1 OF 2		
30 OVER		±0.3	DRAFT WHERE APPLICABLE MUST REMAIN WITHIN DIMENSIONS					
ANGULAR	±3 °		THIS DRAWING CONTAINS INFORMATION THAT IS PROPRIETARY TO MOLEX INCORPORATED AND SHOULD NOT BE USED WITHOUT WRITTEN PERMISSION					

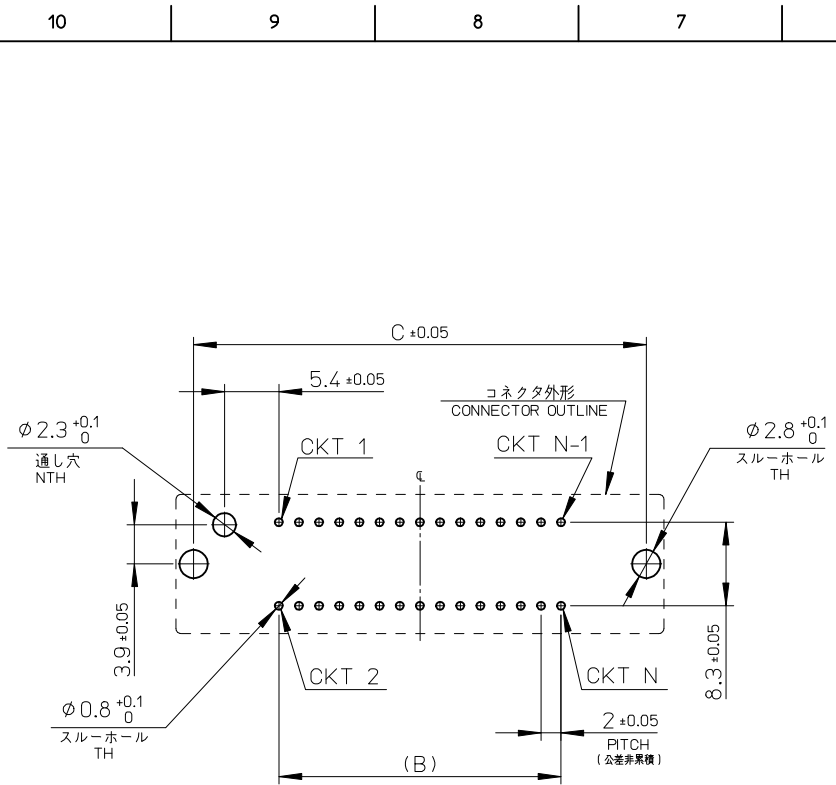


基板穴寸法 (部品実装面、基板厚: 1.6mm)
PCB LAYOUT (COMPONENT SIDE, THK=1.6mm)

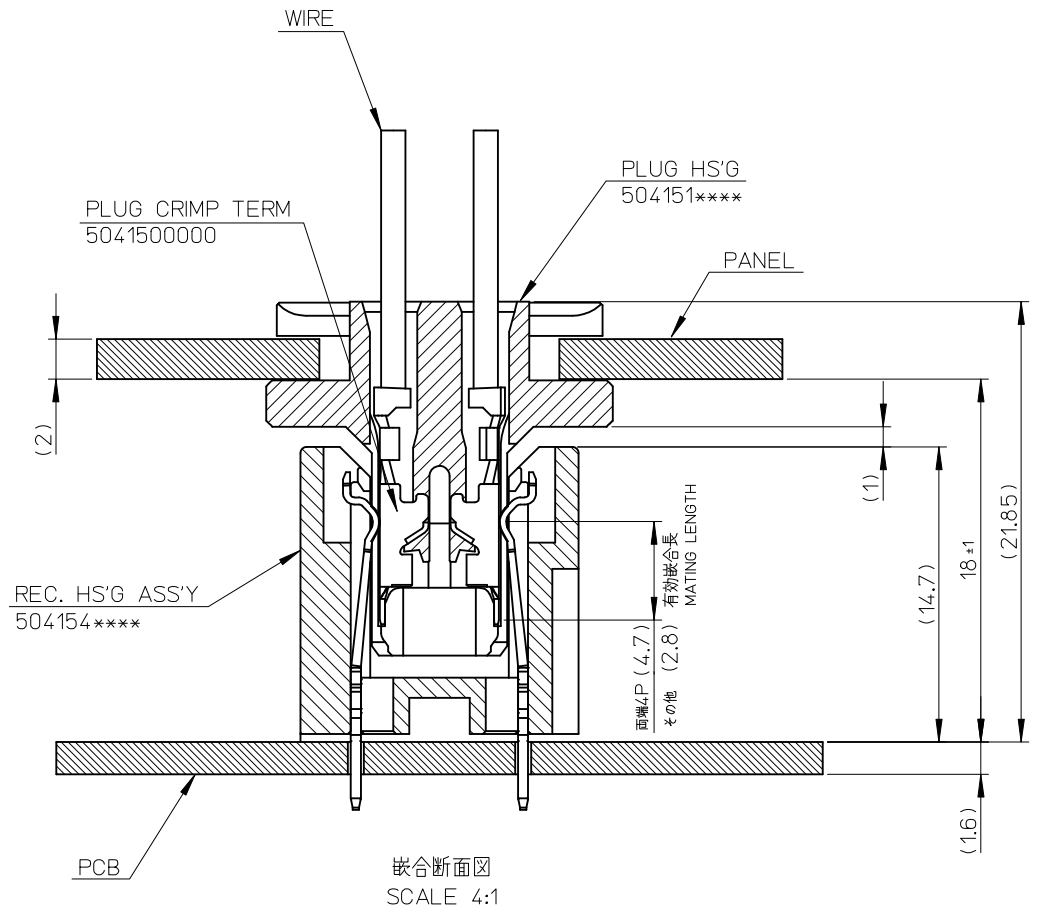


嵌合断面図
SCALE 4:1

RELEASED EC NO: J2016-0467 DRWN: NITO 2015/10/20 CHKD: KASAKAWA 2015/11/05 APPR: NUKITA 2015/11/05	GENERAL TOLERANCES (UNLESS SPECIFIED)			DIMENSION STYLE MM ONLY		SCALE 2:1	DESIGN UNITS METRIC	THIRD ANGLE PROJECTION
	0.25 UNDER	UNDER	±0.03	DRAWN BY	DATE	TITLE		
	0.25 OVER	0.5 UNDER	±0.05	NITO	2012/10/16	2.0 FLOATING CONN. REC HS'G ASS'Y		
	0.5 OVER	1.0 UNDER	±0.1	CHECKED BY	DATE			
	1.0 OVER	10 UNDER	±0.2	KASAKAWA	2012/10/16			
10 OVER	30 UNDER	±0.25	APPROVED BY	DATE				
30 OVER		±0.3	YOITO	2012/10/18	DOCUMENT NO.			
ANGULAR	±3 °		ENTER PART		SD-504154-001			SHEET NO. 2 OF 2
DRAFT WHERE APPLICABLE MUST REMAIN WITHIN DIMENSIONS				SIZE A3	THIS DRAWING CONTAINS INFORMATION THAT IS PROPRIETARY TO MOLEX INCORPORATED AND SHOULD NOT BE USED WITHOUT WRITTEN PERMISSION			



基板穴寸法 (部品実装面、基板厚: 1.6mm)
PCB LAYOUT (COMPONENT SIDE, THK=1.6mm)



嵌合断面図
SCALE 4:1

RELEASED EC NO: J2016-0467 DRWN: NITO 2015/10/20 CHKD: KASAKAWA 2015/11/05 APPR: NUKITA 2015/11/05	GENERAL TOLERANCES (UNLESS SPECIFIED)			DIMENSION STYLE MM ONLY		SCALE 2:1	DESIGN UNITS METRIC	THIRD ANGLE PROJECTION	
	0.25 UNDER	UNDER	±0.03	DRAWN BY	DATE	TITLE			
	0.25 OVER	0.5 UNDER	±0.05	NITO	2012/10/16	2.0 FLOATING CONN. REC HS'G ASS'Y			
	0.5 OVER	1.0 UNDER	±0.1	CHECKED BY	DATE				
	1.0 OVER	10 UNDER	±0.2	KASAKAWA	2012/10/16				
10 OVER	30 UNDER	±0.25	APPROVED BY	DATE					
30 OVER		±0.3	YOITO	2012/10/18	MATERIAL NO.		DOCUMENT NO.		SHEET NO.
ANGULAR	±3 °		ENTER PART		SD-504154-001		2 OF 2		
DRAFT WHERE APPLICABLE MUST REMAIN WITHIN DIMENSIONS				SIZE A3	THIS DRAWING CONTAINS INFORMATION THAT IS PROPRIETARY TO MOLEX INCORPORATED AND SHOULD NOT BE USED WITHOUT WRITTEN PERMISSION				