

SACC-M12FS-5PL DN - Data connector



1072545

<https://www.phoenixcontact.com/us/products/1072545>

Please be informed that the data shown in this PDF document is generated from our online catalog. Please find the complete data in the user documentation. Our general terms of use for downloads are valid.



Data connector, CANopen[®], DeviceNet[™], 5-position, unshielded, Socket straight M12, A, Push-lock spring connection, knurl material: Plastic, external cable diameter 4 mm ... 8 mm

Your advantages

- Time-saving Push-Lock connection: Tool-free connection and disconnection of conductors by opening the contact levers
- Intuitive connection: Easy assignment of individual litz wires with color-coded and numerical identification of the contact levers
- Integrated Push-in Technology: Wire rigid and pretreated conductors easily by means of simple, direct insertion
- Shock- and vibration-resistant connection: Proven spring-cage technology guarantees secure and reliable contacting

Commercial data

Item number	1072545
Packing unit	1 pc
Minimum order quantity	1 pc
Sales key	BF33
Product key	BF2CEA
GTIN	4063151357672
Weight per piece (including packing)	14.24 g
Weight per piece (excluding packing)	14.24 g
Customs tariff number	85366990
Country of origin	DE

SACC-M12FS-5PL DN - Data connector



1072545

<https://www.phoenixcontact.com/us/products/1072545>

Technical data

Notes

General	NOTE: Observe the permissible bending radii when laying conductors, since the degree of protection may be put in jeopardy if the bending forces are too high. Alleviate mechanical loads upstream of the connector, e.g. by using cable ties.
---------	--

Mounting

Assembly instructions	The wires can be connected both with ferrules and without ferrules
Connection method	Push-lock spring connection

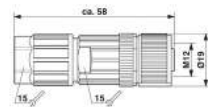
Product properties

Product type	Circular connector (cable-side)
Sensor type	CANopen [®]
Number of positions	5
Application	Data
No. of cable outlets	1
Shielded	no
Coding	A
Cable outlet	straight

Insulation characteristics

Overvoltage category	II
Degree of pollution	3

Dimensions

Dimensional drawing	
Length	58 mm

External dimensions

Outside diameter	4 mm ... 8 mm
------------------	---------------

Housing

Diameter housing	19 mm
------------------	-------

Material specifications

Flammability rating according to UL 94	V0
Seal material	NBR
Material of grip body	PA 6.6
Contact material	CuSn

SACC-M12FS-5PL DN - Data connector



1072545

<https://www.phoenixcontact.com/us/products/1072545>

Contact surface material	Ni/Au
Contact carrier material	PA 6.6
Material for screw connection	Plastic

Connection data

Conductor connection

Connection method	Push-lock spring connection
Connection cross section	0.14 mm ² ... 0.75 mm ² (without ferrule)
	0.08 mm ² ... 0.5 mm ² (with ferrule)
	0.14 mm ² ... 0.75 mm ² (solid)
Connection cross section AWG	26 ... 18 (without ferrule)
	28 ... 20 (with ferrule)
Stripping length of the individual wire	7 mm
Tightening torque	0.4 Nm (M12 knurl)
	0.4 Nm (Connector with coupling sleeve)
	1.5 Nm (Pressure nut with coupling sleeve)

Pin assignment

Contact Color (signal designation) Contact (optional)	1 = GY (shield)
	2 = RD
	3 = BK
	4 = WH
	5 = BU

Electrical properties

Rated surge voltage	1.5 kV
Contact resistance	≤ 5 mΩ
Insulation resistance	≥ 100 MΩ
Nominal voltage U _N	48 V AC
	60 V DC
Nominal current I _N	4 A (2 A when using 0.14 mm ² conductors)

Mechanical properties

Mechanical data

Insertion/withdrawal cycles	≥ 100
-----------------------------	-------

Connector

Connection 1

Head design	Socket
Head cable outlet	straight
Head thread type	M12
Coding	A

Cable/line

SACC-M12FS-5PL DN - Data connector



1072545

<https://www.phoenixcontact.com/us/products/1072545>

Signal type/category	CANopen [®]
	DeviceNet [™]
Stripping length of the individual wire	7 mm

Environmental and real-life conditions

Ambient conditions

Degree of protection	IP65
	IP67
Ambient temperature (operation)	-40 °C ... 85 °C (Plug / socket)

Standards and regulations

M12

Standard designation	M12 connector
Standards/specifications	IEC 61076-2-101

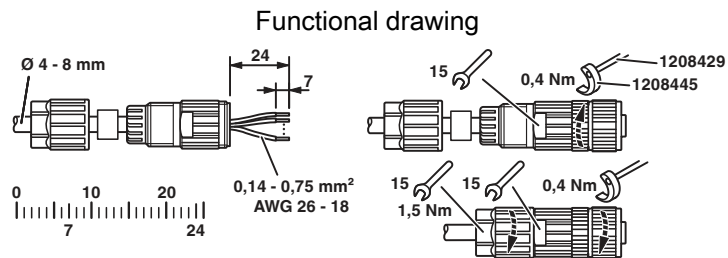
SACC-M12FS-5PL DN - Data connector

1072545

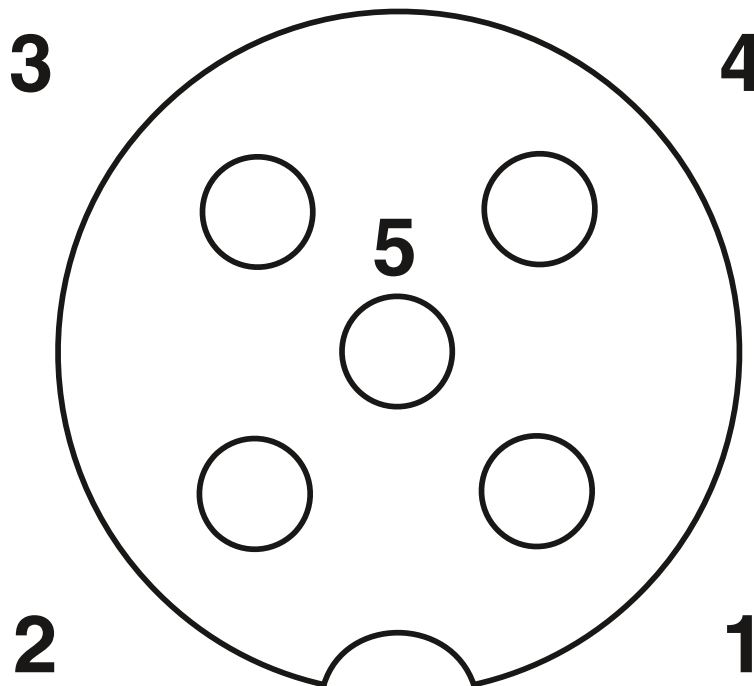
<https://www.phoenixcontact.com/us/products/1072545>



Drawings



Schematic diagram



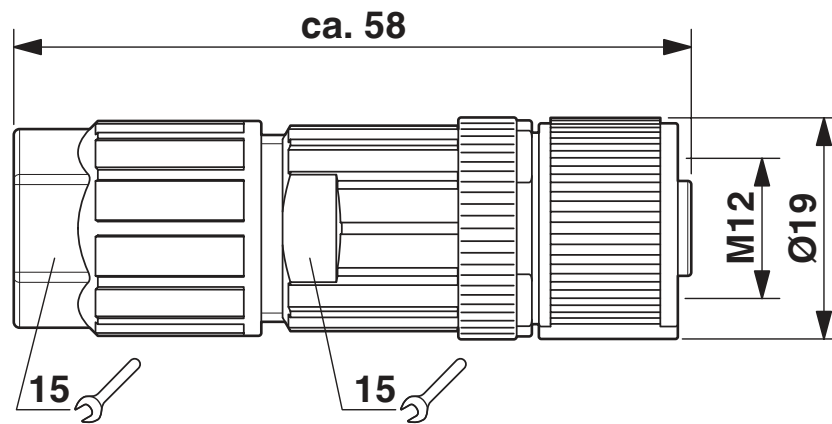
Pin assignment M12 socket, 5-pos., A-coded, socket side view

SACC-M12FS-5PL DN - Data connector

1072545

<https://www.phoenixcontact.com/us/products/1072545>

Dimensional drawing



M12 x 1 socket, straight

SACC-M12FS-5PL DN - Data connector





1072545

<https://www.phoenixcontact.com/us/products/1072545>

Approvals

To download certificates, visit the product detail page: <https://www.phoenixcontact.com/us/products/1072545>

 UL Listed Approval ID: E221474				
	Nominal voltage U_N	Nominal current I_N	Cross section AWG	Cross section mm^2
	250 V	4 A	-	26 - 18

 cUL Listed Approval ID: E221474				
	Nominal voltage U_N	Nominal current I_N	Cross section AWG	Cross section mm^2
	250 V	4 A	26 - 18	-

cULus Listed				
---------------------	--	--	--	--

SACC-M12FS-5PL DN - Data connector



1072545

<https://www.phoenixcontact.com/us/products/1072545>

Classifications

ECLASS

ECLASS-11.0	27440102
ECLASS-12.0	27440116
ECLASS-13.0	27440116

ETIM

ETIM 8.0	EC002635
----------	----------

UNSPSC

UNSPSC 21.0	39121400
-------------	----------

SACC-M12FS-5PL DN - Data connector



1072545

<https://www.phoenixcontact.com/us/products/1072545>

Environmental product compliance

China RoHS	Environmentally friendly use period: unlimited = EFUP-e
	No hazardous substances above threshold values

SACC-M12FS-5PL DN - Data connector

1072545

<https://www.phoenixcontact.com/us/products/1072545>



Accessories

PROT-M12 MS-PA-CHAIN - Screw plug

1430899

<https://www.phoenixcontact.com/us/products/1430899>

M12 sealing cap with fixing band, for sensor cables, for free M12 sockets



SAC-5P-920/... - Bus system cable

1511504

<https://www.phoenixcontact.com/us/products/1511504>

Bus system cable, CANopen[®], DeviceNet[™], 4-position halogen-free, shielded, cable length: Free entry (0.5 ... 400 m)



SACC-M12FS-5PL DN - Data connector



1072545

<https://www.phoenixcontact.com/us/products/1072545>

AI 0,25- 6 YE - Ferrule

3203024

<https://www.phoenixcontact.com/us/products/3203024>



Ferrule, sleeve length: 6 mm, length: 10.5 mm, color: yellow

A 0,25- 7 - Ferrule

3202478

<https://www.phoenixcontact.com/us/products/3202478>



Ferrule, length: 7 mm, color: silver

SACC-M12FS-5PL DN - Data connector



1072545

<https://www.phoenixcontact.com/us/products/1072545>

A 0,34- 7 - Ferrule

3009202

<https://www.phoenixcontact.com/us/products/3009202>



Ferrule, length: 7 mm, color: silver

A 0,5 - 6 - Ferrule

3200218

<https://www.phoenixcontact.com/us/products/3200218>



Ferrule, length: 6 mm, color: silver

SACC-M12FS-5PL DN - Data connector

1072545

<https://www.phoenixcontact.com/us/products/1072545>



AI 0,5 - 6 WH - Ferrule

3200687

<https://www.phoenixcontact.com/us/products/3200687>



Ferrule, sleeve length: 6 mm, length: 12 mm, color: white

TSD 04 SAC - Torque screwdriver

1208429

<https://www.phoenixcontact.com/us/products/1208429>



Torque screwdriver, with preset torque of 0.4 Nm and 4 mm hexagonal drive for M12 connectors

SACC-M12FS-5PL DN - Data connector

1072545

<https://www.phoenixcontact.com/us/products/1072545>



SACC BIT M12-D20 - Tool

1208445

<https://www.phoenixcontact.com/us/products/1208445>

Nut for assembling M12 connectors for assembly with a knurl diameter of 20 mm, for 4 mm hexagonal drive



TSD-M 1,2NM - Torque screwdriver

1212224

<https://www.phoenixcontact.com/us/products/1212224>

Torque screw driver, accuracy as per EN ISO 6789 standard, adjustable from 0.3 - 1.2 Nm



SACC-M12FS-5PL DN - Data connector

1072545

<https://www.phoenixcontact.com/us/products/1072545>



TSD-M SAC-BIT ADAPTER - Adapter insert

1212600

<https://www.phoenixcontact.com/us/products/1212600>



Adapter bit for TSD-M...torque tools, E6.3-1/4" drive with 4 mm hexagon to accommodate SAC bits

WIREFOX 2,5 - Stripping tool

1212368

<https://www.phoenixcontact.com/us/products/1212368>



Stripping tool, for conductors and cables with a conductor cross section from 0.08 to 2.5 mm, self-adjusting, stripping length adjustable up to 15 mm, cutting capacity up to 6 mm² stranded/1.5 mm² solid

SACC-M12FS-5PL DN - Data connector



1072545

<https://www.phoenixcontact.com/us/products/1072545>

WIREFOX SAC - Stripping tool

1212623

<https://www.phoenixcontact.com/us/products/1212623>



Stripping pliers, for halogen-free sensor/actuator cables (SAC cables), with PUR and PVC insulation, from \varnothing of 4.4 to 7 mm, any stripping length

CRIMPFOX 6H - Crimping pliers

1212046

<https://www.phoenixcontact.com/us/products/1212046>



Crimping pliers, for ferrules without insulating collar according to DIN 46228 Part 1 and ferrules with insulating collar according to DIN 46228 Part 4, 0.14 mm² ... 6 mm², unlockable pressure lock, lateral entry

Phoenix Contact 2023 © - all rights reserved
<https://www.phoenixcontact.com>

Phoenix Contact USA
586 Fulling Mill Road
Middletown, PA 17057, United States
(+717) 944-1300
info@phoenixcon.com