

4

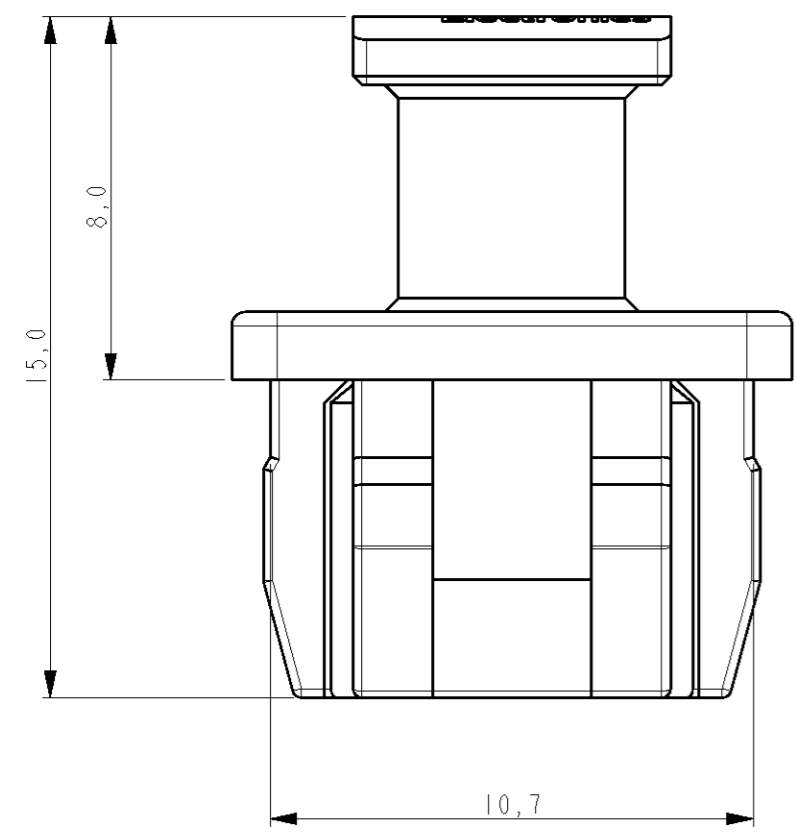
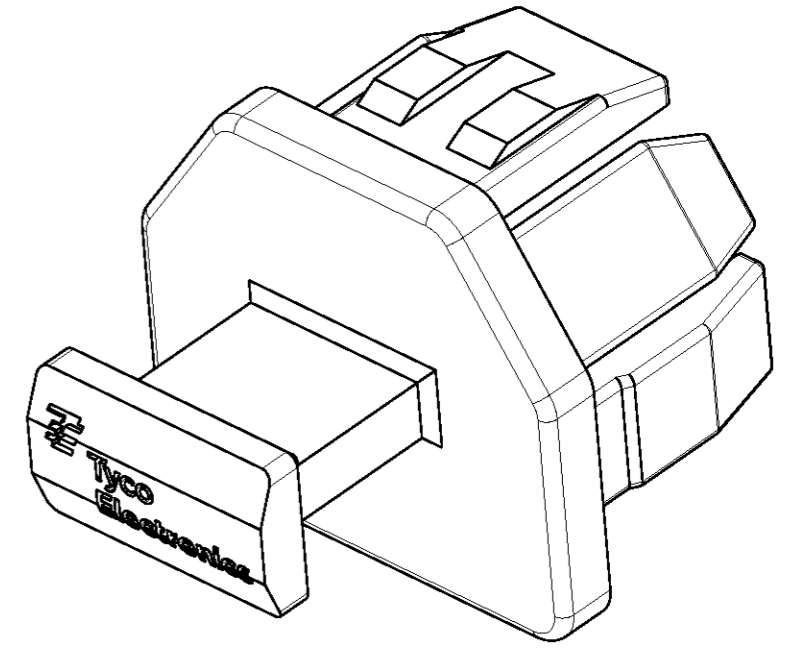
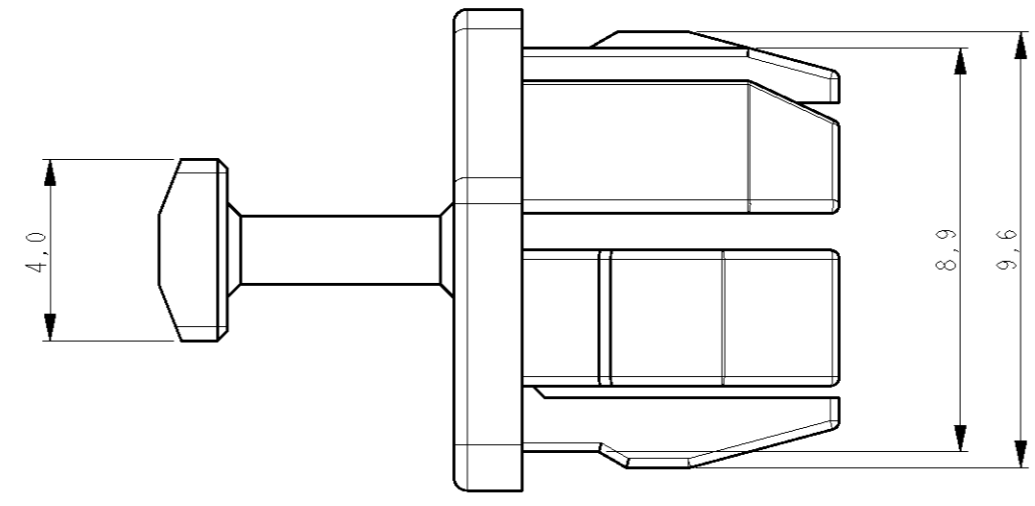
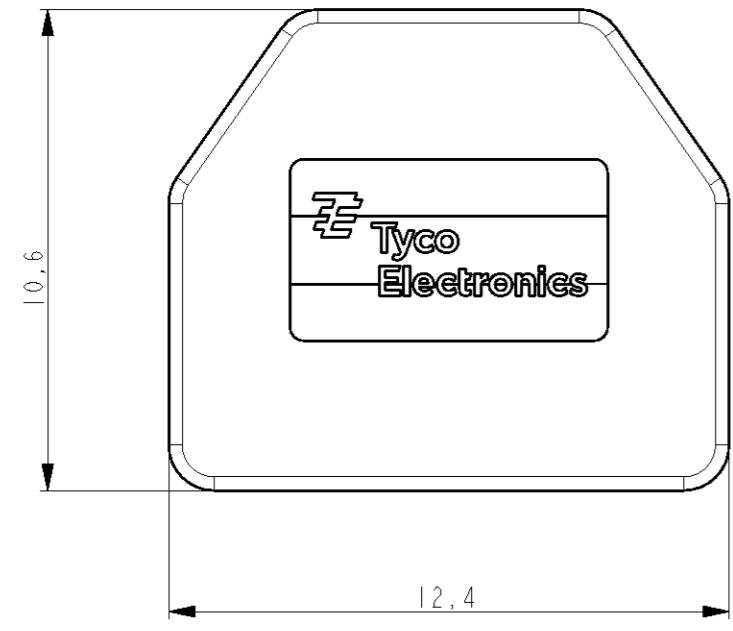
3

2

1

THIS DRAWING IS UNPUBLISHED. RELEASED FOR PUBLICATION  
 © COPYRIGHT - BY TYCO ELECTRONICS CORPORATION. ALL RIGHTS RESERVED.

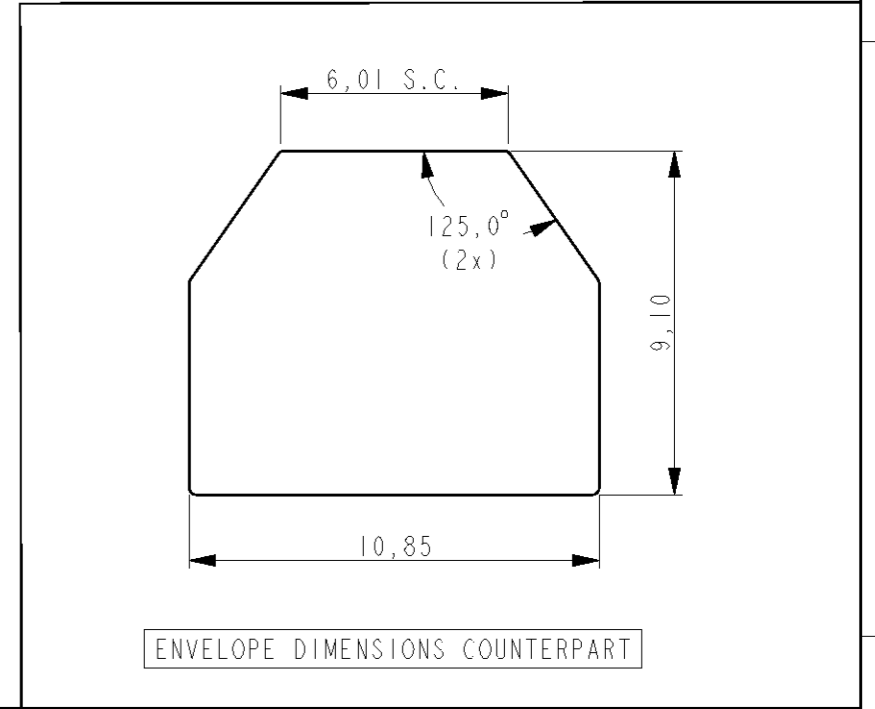
LOC	DIST	REVISIONS					
H	-	P	LTR	DESCRIPTION	DATE	DWN	APVD
			A	RELEASED PER ECO-11-001660	25 JAN 2011	JS	TdB



1551464-1 AS SHOWN

NOTES:

- 1 - COMPATIBLE WITH
- "KEYED I/O BOARD CONNECTOR 22 POS" (1551454-1)



ENVELOPE DIMENSIONS COUNTERPART

<small>THIS DRAWING IS A CONTROLLED DOCUMENT FOR TYCO ELECTRONICS CORPORATION          IT IS SUBJECT TO CHANGE AND THE CONTROLLING ENGINEERING ORGANIZATION          SHOULD BE CONTACTED FOR THE LATEST REVISION.</small>		DWN J Smits 11 DEC 2009 CHK R Verbeet APVD T de Boer PRODUCT SPEC - APPLICATION SPEC - WEIGHT -		<b>Tyco Electronics</b> Tyco Electronics Corporation 's-Hertogenbosch, Nederland	
DIMENSIONS: mm 		TOLERANCES UNLESS OTHERWISE SPECIFIED: 0 PLC ±- 1 PLC ±0,2 2 PLC ±0,1 3 PLC ±- 4 PLC ±- ANGLES ±-		NAME <b>DUSTCOVER          KEYED I/O BOARD CONNECTOR          22 POS</b>	
MATERIAL ABS BLACK FINISH -		CUSTOMER DRAWING		SIZE A3 CAGE CODE 00779 DRAWING NO. ©=1551464	RESTRICTED TO - SCALE 5:1 SHEET 1 OF 1 REV A