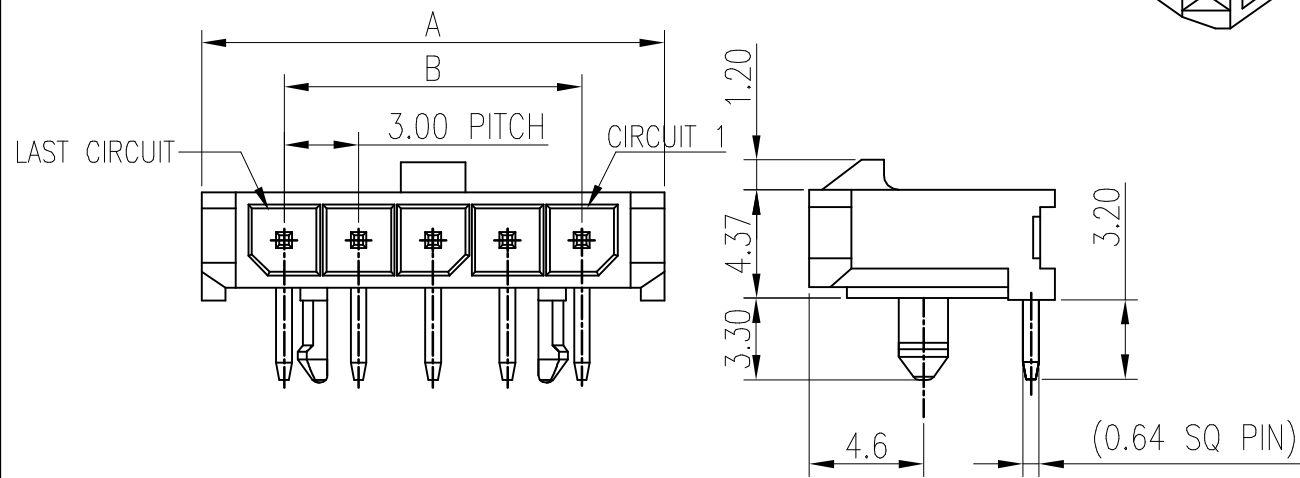
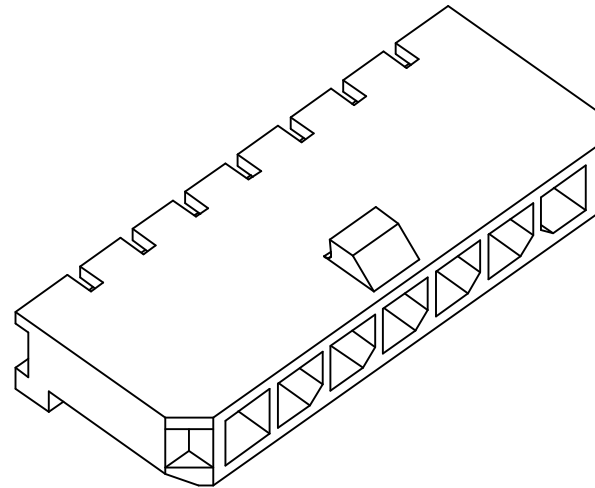
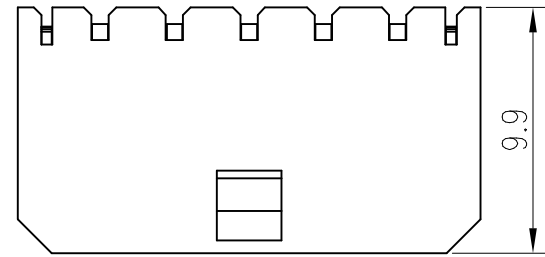


PRODUCT NUMBER

SEE P/N SCHEME



NOTE:

1. MATERIAL:
HOUSING: LCP, UL94V-0, HALOGEN FREE, COLOR: BLACK
CONTACT: COPPER ALLOY.
2. CONTACT FINISH: NICKEL 50u" Min. UNDERPLATED OVERALL.
OPTIONAL PLATING ON CONTACT AREA, TIN ON SOLDER TAIL.
3. REFER GS-20-0399 APPLICATION SPECIFICATION FOR MATING CONNECTOR.
4. PRODUCT SPECIFICATION: GS-12-1177.
5. PACKAGE SPECIFICATION: GS-14-2359.
6. APPLICATION SPECIFICATION: GS-20-0399
7. THE HOUSING WILL WITHSTAND EXPOSURE TO 260°C PEAK TEMPERATURE FOR 10 SECONDS IN A REFLOW OVEN.
8. THE HOUSING WILL WITHSTAND EXPOSURE TO 260°C PEAK TEMPERATURE FOR 5 SECONDS IN A WAVE SOLDER
9. LEAD FREE PRODUCTS MEET EUROPEAN UNION DIRECTIVES AND OTHER COUNTRY REGULATIONS AS DESCRIBED IN GS-47-0004
10. PART NUMBER SCHEME:

10136654- XX X X X LF

POS. CODE:

02: 2 POS
03: 4 POS

12: 12 POS
S1: SEE SHEET-2
S2: SEE SHEET-2

LEAD FREE

OPTIONAL PACKAEGS:

BLANK: TRAY
R: TAPE AND REEL

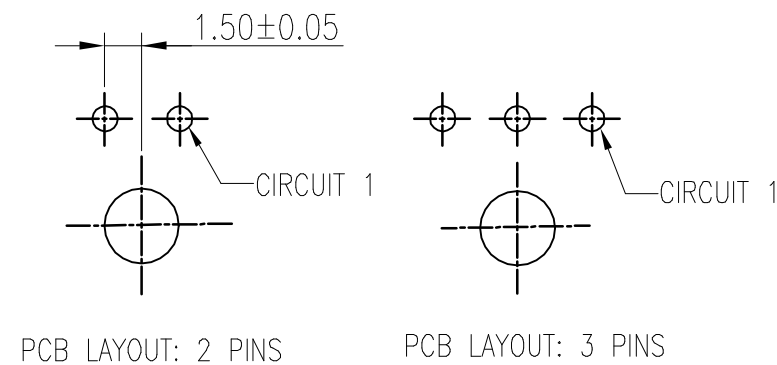
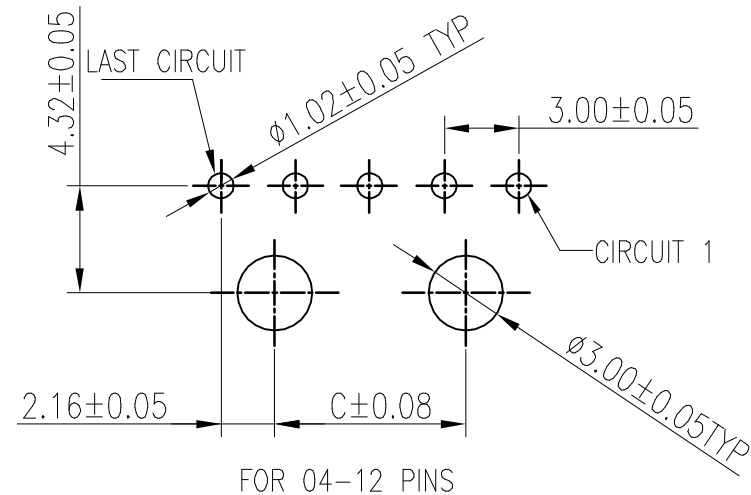
GLOW WIRE COMPATIBLE:

1: COMPATIBLE
2: NON-COMPATIBLE

PLATING CODE:

- 1: 100u" Min. MATTE TIN OVERALL
- 2: GOLD FLASH OVERALL
- 3: 15u"Min Au ON CONTACT AREA,
100u"Min MATTE TIN ON TAIL
- 4: 30u"Min Au ON CONTACT AREA,
100u"Min MATTE TIN ON TAIL

PART NO.	POS.	A	B	C
10136654-02XXXLF	02	9.65	3.0	
10136654-03XXXLF	03	12.65	6.0	
10136654-04XXXLF	04	15.65	9.0	4.70
10136654-05XXXLF	05	18.65	12.0	7.70
10136654-06XXXLF	06	21.65	15.0	10.70
10136654-07XXXLF	07	24.65	18.0	13.70
10136654-08XXXLF	08	27.65	21.0	16.70
10136654-09XXXLF	09	30.65	24.0	19.70
10136654-10XXXLF	10	33.65	27.0	22.70
10136654-11XXXLF	11	36.65	30.0	25.70
10136654-12XXXLF	12	39.65	33.0	28.70

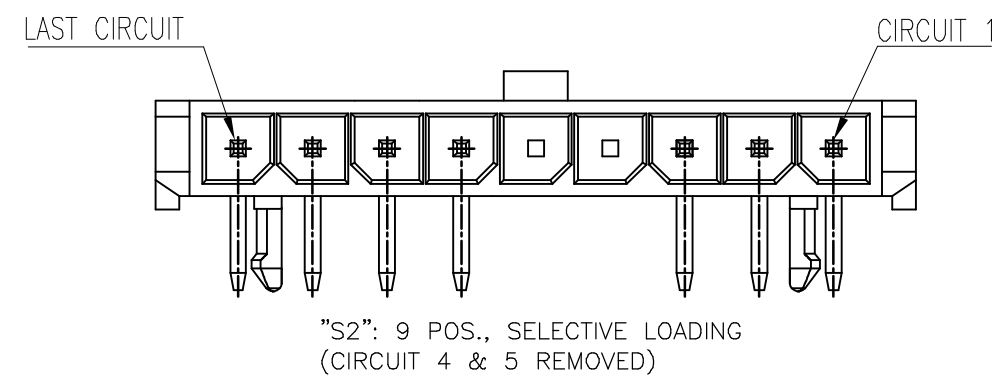
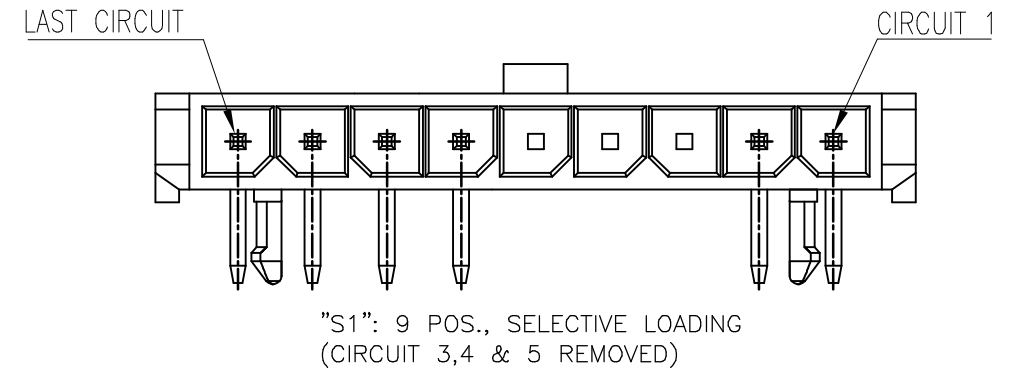
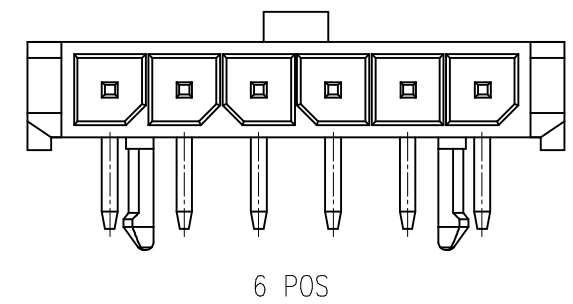
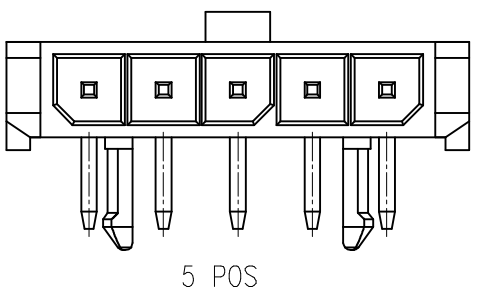
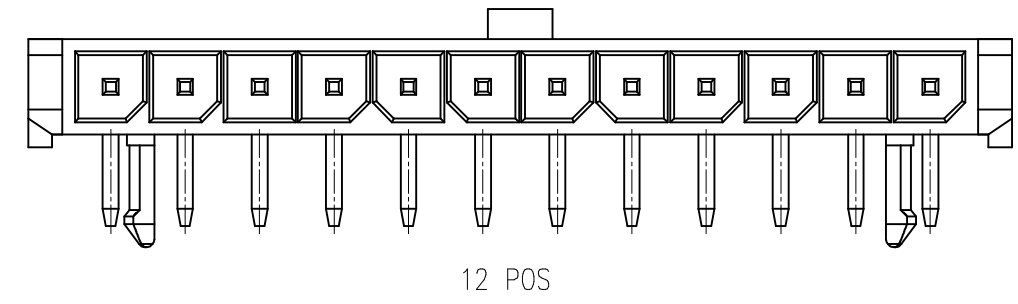
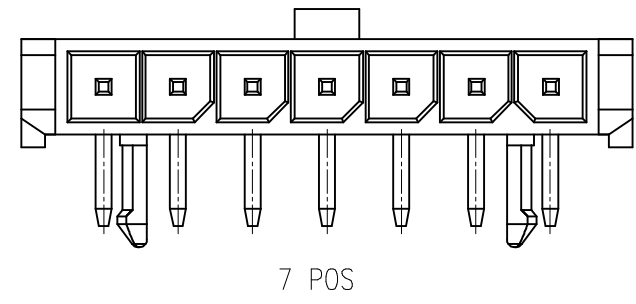
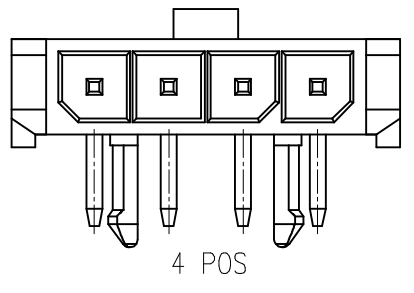
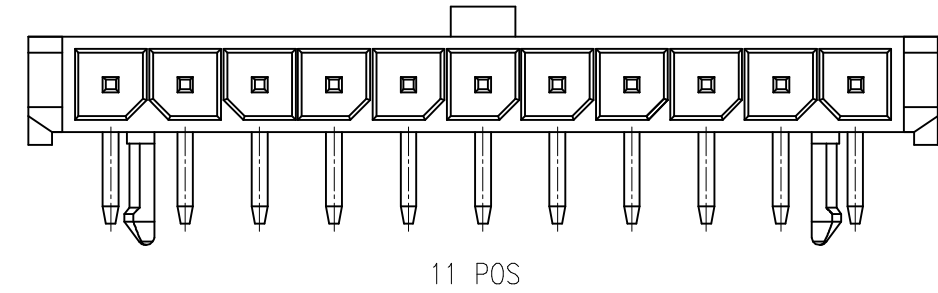
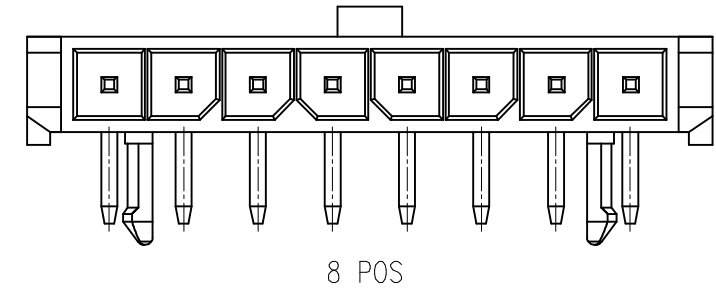
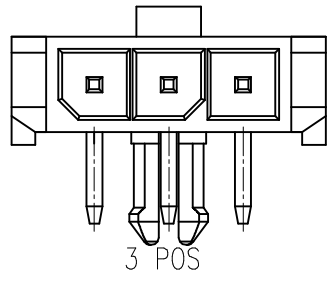
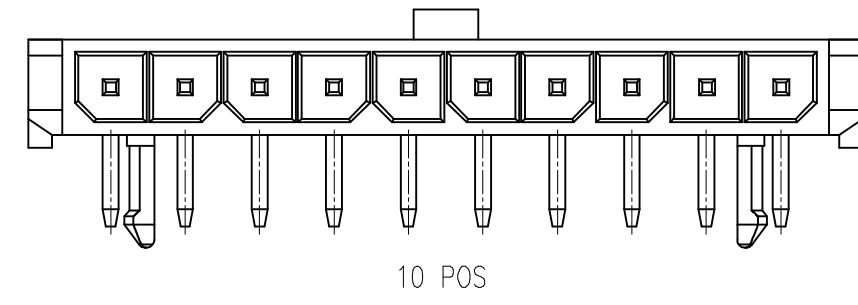
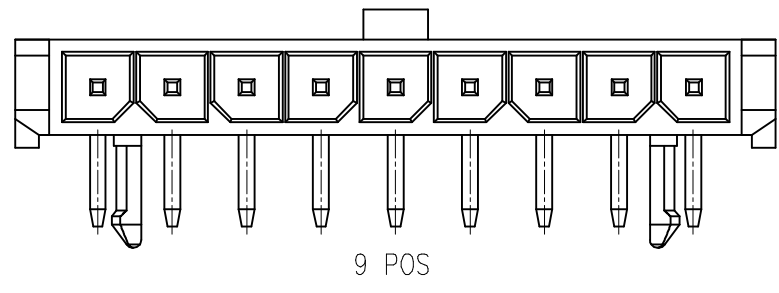
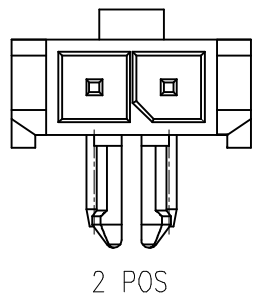


RECOMMENDED PCB LAYOUT
PCB THICKNESS=1.6mm.
General Tolerance±0.05

mat'l. code				surface <input checked="" type="checkbox"/> ISO 1302 <input type="checkbox"/> ISO 406 <input type="checkbox"/> ISO 1101		tolerance		projection		product family	
ltr				ecn no		dr		date		MINITEK PWR3.0	
H				ELX-I-43460		AKHIL		2022-01-21		title	
								mm		SINGLE ROW R/A HEADER	
								scale N.T.S		MINITEK 3.0 STANDARD	
D				ELX-N-26823		TONY		2017-04-27		dwg no	
E				ELX-N-27171		TONY		2017-06-07		sheet 1 of 2	
F				ELX-N-27388		TONY		2017-07-05		size	
G				ELX-N-29703		TONY		2018-03-29		A3	
sheet index				revision		H		H		type	
						1		2		Product Customer Drawing	

Amphenol FCI

© 2016 AFCl



mat'l. code		surface		tolerance		projection		product family	
		ISO 1302		ISO 406 ISO 1101		mm		MINITEK PWR3.0	
ltr		ecn no		dr		date		title	
								SINGLE ROW R/A HEADER MINITEK 3.0 STANDARD	
		angles		linear		scale		N.T.S	
		0°±2'							
		dr		KENNY TAI		2015-08-21		dwg no	
		enr		AKHIL RAJAN		2022-01-21		sheet 2 of 2	
		chr		MITHUN PAUL		2022-01-21		size	
		app		SPK		2022-01-21		A3	
sheet index		revision sheet		H		H		type	
		1 2						Product Customer Drawing	